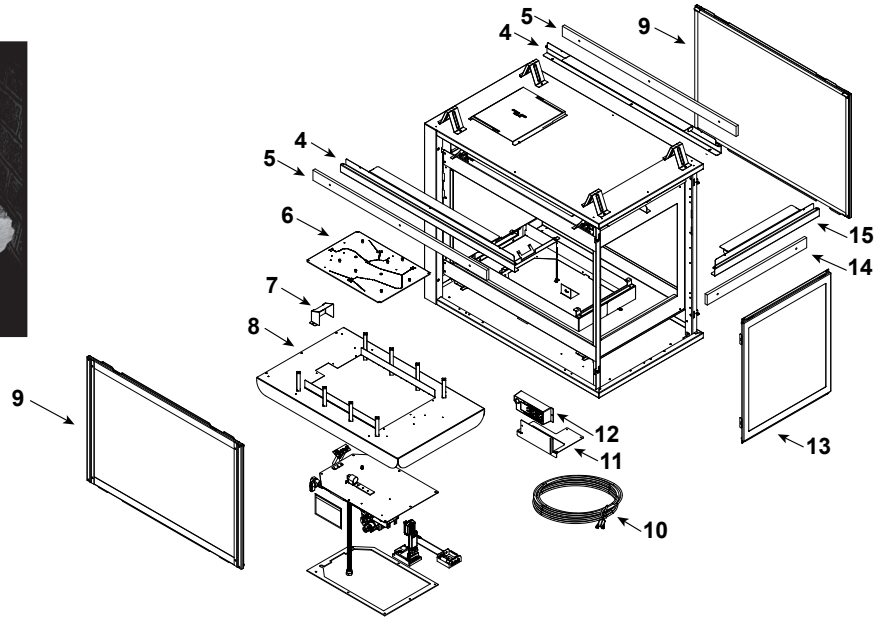
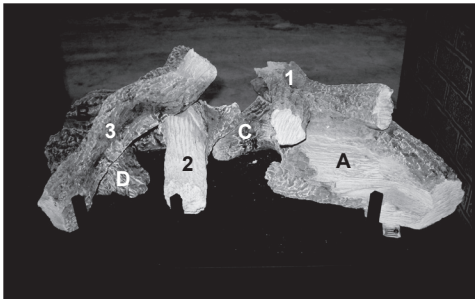


Log Set Assembly



IMPORTANT: THIS IS DATED INFORMATION. Parts must be ordered from a dealer or distributor. **Hearth and Home Technologies does not sell directly to consumers.** Provide model number and serial number when requesting service parts from your dealer or distributor.



Stocked at Depot

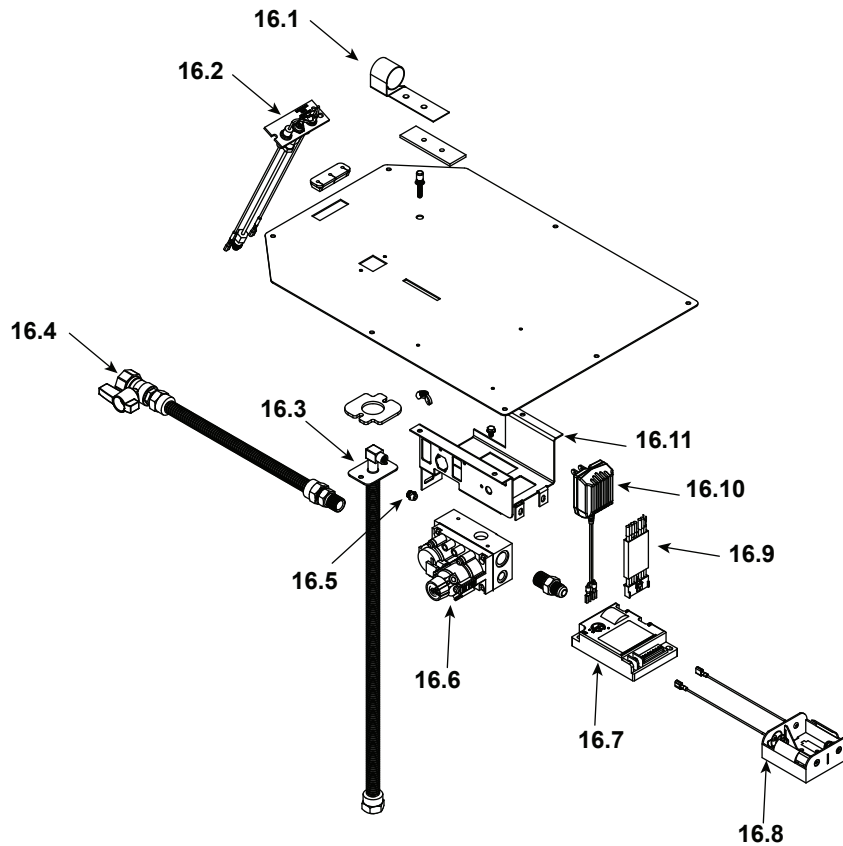
ITEM	DESCRIPTION	COMMENTS	PART NUMBER	
	Log Set Assembly		LOGS-2128	Y
A	Log A	Pre 5/15/16, Must order complete assembly	SRV2128-701	
B	Log B		SRV2128-702	
C	Log C		SRV2128-703	
D	Log D		SRV2128-706	
1	Log 1		SRV2128-704	
2	Log 2		SRV2128-705	
3	Log 3		SRV2128-707	
4	Sheetrock Ledge (side)	Qty 2 req	2130-118	
5	Non-Comb, Long	Qty 2 req	2130-199	
6	Burner NG, LP		2128-007	Y
7	Pilot Shield		2128-124	
8	Base Pan/Grate Assembly		2128-005	
9	Glass Door Assembly (Side)	Qty 2 req	GLA-6TROC	Y
10	Thermostat Wire		SRV2118-170	Y
11	Junction Box bracket		2128-128	
12	Junction Box		SRV4021-013	Y
13	Glass Door Assembly (End)		GLA-2130	Y
14	Non- Comb, Short		2130-197	
15	Sheetrock Ledge (End)		2130-126	
	Refractory Panel		SRV2129-016	
	Surround Overlay (contains overlay for top, bottom and sides)		SRV2130-FACE	

Additional service part numbers appear on following page.

No one builds a better fire

Beginning Manufacturing Date: Sept 2008
Ending Manufacturing Date: March 2017

#16 Valve Assembly



IMPORTANT: THIS IS DATED INFORMATION. Parts must be ordered from a dealer or distributor. **Hearth and Home Technologies does not sell directly to consumers.** Provide model number and serial number when requesting service parts from your dealer or distributor.



Stocked
at Depot

ITEM	DESCRIPTION	COMMENTS	PART NUMBER	Stocked at Depot
16.1	Shutter Bracket Assembly		2118-121	Y
16.2	Pilot Assembly NG		2208-012	Y
	Pilot Assembly LP		2208-013	Y
16.3	Flexible Gas Connector		530-302A	Y
16.4	Flex Ball Valve Assembly		SRV302-320	Y
16.5	Orifice NG (#32C)		SRV582-832	Y
	Orifice LP (#50C)		582-850	Y
16.6	Valve NG		750-500	Y
	Valve LP		750-501	Y
16.7	Module		SRV593-592	Y
16.8	Battery Pack		SRV593-594	Y
16.9	Module Wire Assembly		SRV593-590	Y
16.10	3 Volt Transformer		SRV593-593	Y
16.11	Valve Bracket		2118-104	

Additional service part numbers appear on following page.

