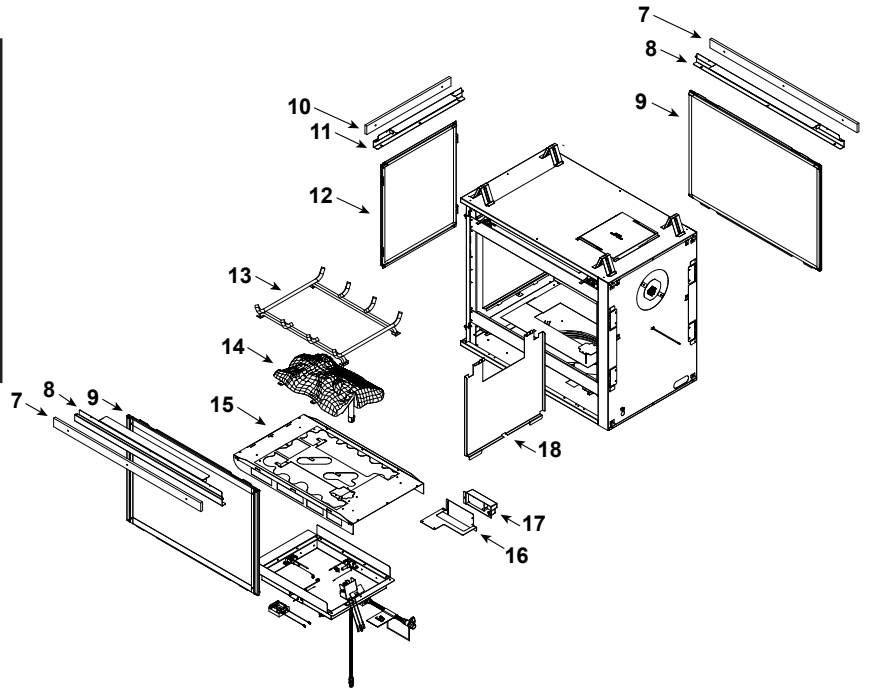
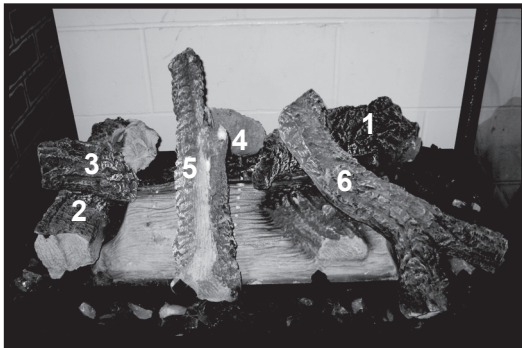


### Log Set Assembly



IMPORTANT: THIS IS DATED INFORMATION. Parts must be ordered from a dealer or distributor. **Hearth and Home Technologies does not sell directly to consumers.** Provide model number and serial number when requesting service parts from your dealer or distributor.



**Stocked at Depot**

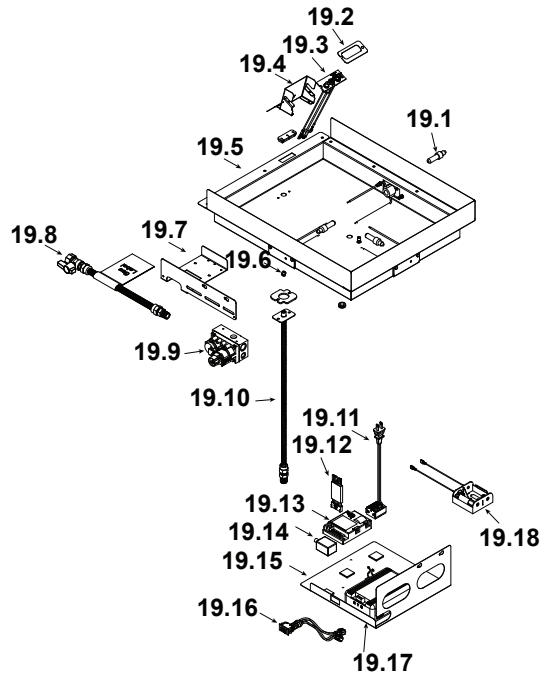
ITEM	DESCRIPTION	COMMENTS	PART NUMBER	Stocked at Depot
	Log Set Assembly		LOGS-MSR	Y
1	Log 1	<b>Pre 5/15/16, Must order complete assembly</b>	SRV2005-701	
2	Log 2		SRV2005-700	
3	Log 3		SRV2005-702	
4	Log 4		SRV2005-703	
5	Log 5		SRV2005-704	
6	Log 6		SRV2005-705	
7	Non-Comb, Long	Qty 2 req	2130-199	
8	Sheetrock Ledge (Side)	Qty 2 req	2130-118	
9	Glass Door Assembly	Qty 2 req	GLA-6TROC	Y
10	Non-Comb, Short		2130-197	
11	Sheetrock Ledge (End)		2130-126	
12	Glass Door Assembly (End)		GLA-2130	Y
13	Grate Assembly		SRV2005-012	
14	Burner NG, LP		2005-006	Y
15	Ember Mesh Assembly		2176-008	
16	Junction Box Bracket		2128-128	
17	Junction Box		SRV4021-013	Y
18	Refractory		SRV2129-016	
	Surround Overlay (contains overlay for top, bottom and sides)		SRV2130-FACE	

Additional service part numbers appear on following page.

No one builds a better fire

Beginning Manufacturing Date: Nov 2008  
Ending Manufacturing Date: March 2017

### #19 Valve Assembly



IMPORTANT: THIS IS DATED INFORMATION. Parts must be ordered from a dealer or distributor. **Hearth and Home Technologies does not sell directly to consumers.** Provide model number and serial number when requesting service parts from your dealer or distributor.



Stocked  
at Depot

ITEM	DESCRIPTION	COMMENTS	PART NUMBER	
19.1	Bulb	Qty 3 req	700-540	Y
19.2	Wind Baffle		2176-126	
19.3	Pilot Assembly NG		SRV2090-012	Y
	Pilot Assembly LP		2090-013	Y
19.4	Pilot Bracket		2176-118	
19.5	Ember Box Assembly	No longer available	SRV2005-114	
19.6	Orifice NG (#32C)		SRV582-832	Y
	Orifice LP (#50C)		582-850	Y
19.7	Valve Bracket	No longer available	SRV2176-120	
19.8	Flex Ball Valve Assembly		SRV302-320	Y
19.9	Valve NG		750-500	Y
	Valve LP		750-501	Y
19.10	Flexible Gas Connector		2005-009	Y
19.11	Connector Block Assembly	No longer available	2176-019	
19.12	Module Wire Assembly		SRV593-590	Y
19.13	Module		SRV593-592	Y
19.14	Solenoid		HTI-17-006	Y
19.15	Controls Plate	No longer available	SRV2176-121	
19.16	On/Off, Switch		SRV32D0232	Y
19.17	Control Box		HTI-13-007	Y
19.18	Battery Pack		SRV593-594	Y

Additional service part numbers appear on following page.

