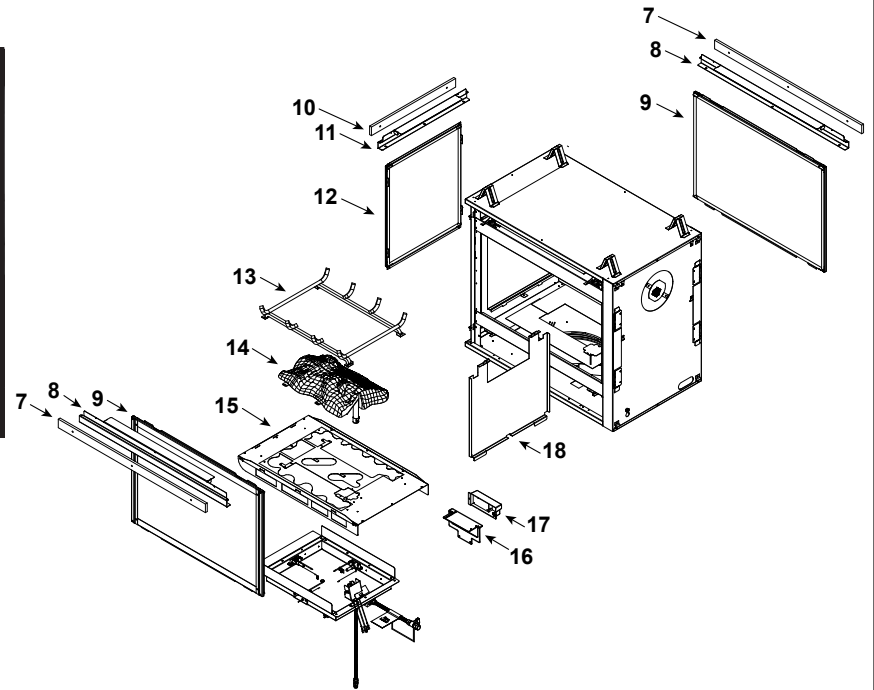
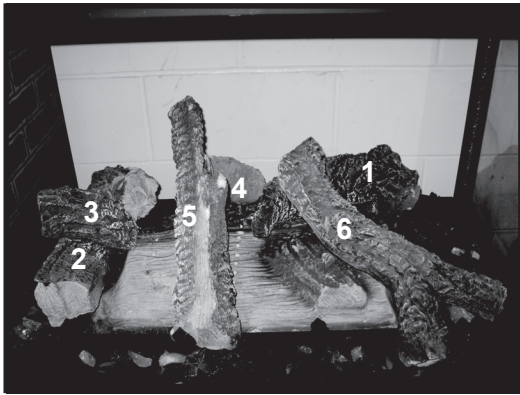


Log Set Assembly

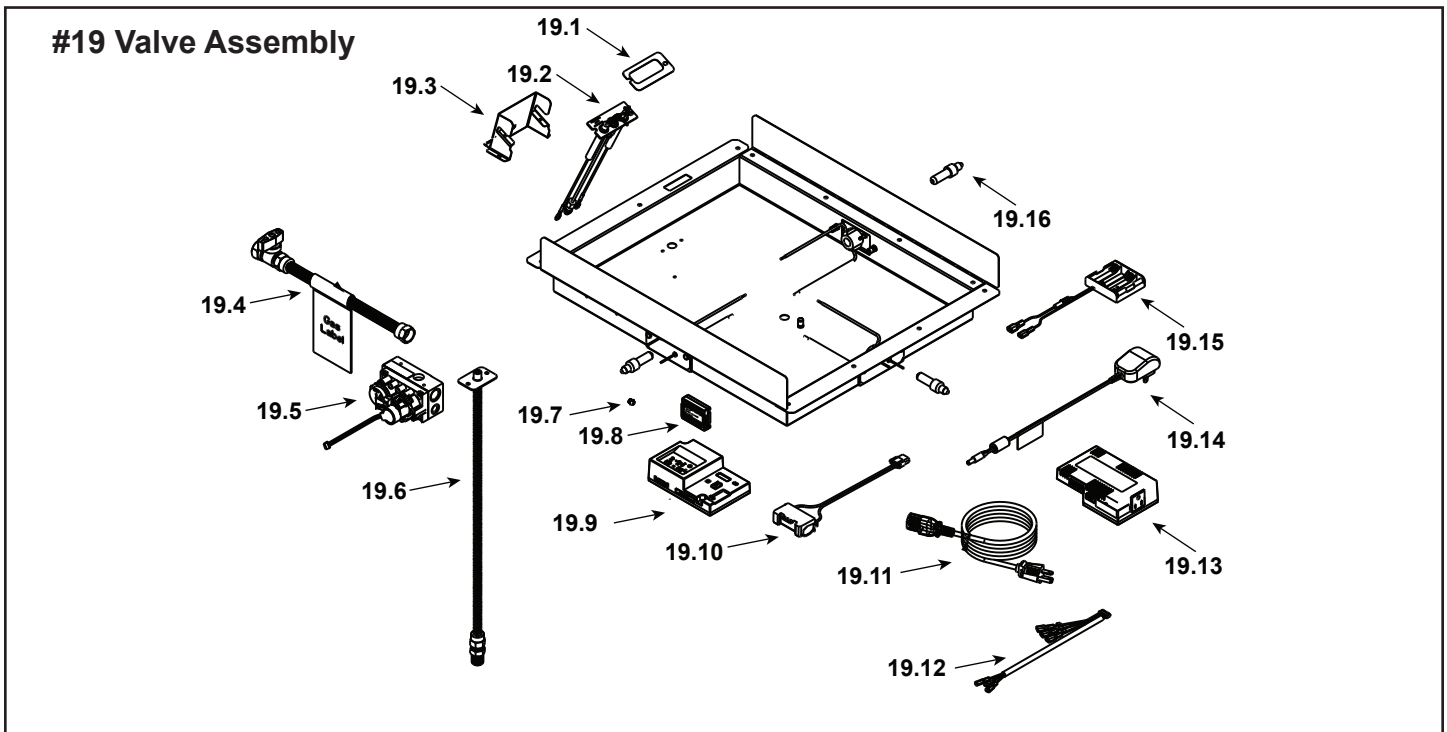


IMPORTANT: THIS IS DATED INFORMATION. Parts must be ordered from a dealer or distributor. **Hearth and Home Technologies does not sell directly to consumers.** Provide model number and serial number when requesting service parts from your dealer or distributor.



Stocked at Depot

ITEM	DESCRIPTION	COMMENTS	PART NUMBER	Stocked at Depot
	Log Set Assembly		LOGS-MSR	Y
1	Log 1		SRV2005-701	
2	Log 2		SRV2005-700	
3	Log 3		SRV2005-702	
4	Log 4		SRV2005-703	
5	Log 5		SRV2005-704	
6	Log 6		SRV2005-705	
7	Non-Comb, Long	Qty 2 req	2130-199	
8	Sheetrock Ledge (Side)	Qty 2 req	2130-118	
9	Glass Door Assembly	Qty 2 req	GLA-6TROC	Y
10	Non-Comb, Short		2130-197	
11	Sheetrock Ledge (End)		2130-126	
12	Glass Door Assembly (End)		GLA-2130	Y
13	Grate Assembly		SRV2005-012	
14	Burner NG, Propane		2005-006	Y
15	Ember Mesh Assembly		2176-008	
16	Junction Box Bracket		2128-128	
17	Junction Box		SRV4021-013	Y
18	Refractory		2128-116	
	Surround Overlay (contains overlay for top, bottom and sides)		SRV2130-FACE	



IMPORTANT: THIS IS DATED INFORMATION. Parts must be ordered from a dealer or distributor. **Hearth and Home Technologies does not sell directly to consumers.** Provide model number and serial number when requesting service parts from your dealer or distributor.



Stocked
at Depot

ITEM	DESCRIPTION	COMMENTS	PART NUMBER	Stocked at Depot
19.1	Wind Baffle		2176-126	
19.2	Pilot Assembly NG		2478-012	Y
	Pilot Assembly Propane	Convert 2478-012 with SRV593-527		Y
19.3	Pilot Bracket		2176-118	
19.4	Flex Ball Valve Assembly		SRV302-320	Y
19.5	Valve NG		SRV2166-302	Y
	Valve Propane		2166-303	Y
19.6	Flexible Gas Connector		2005-009	Y
19.7	Orifice NG (#32C)		SRV582-832	Y
	Orifice Propane (#50C)		582-850	Y
19.8	Module, RF FCC		SRV2326-120	Y
19.9	Module, IFT Control		SRV2326-130	
19.10	Connector Block Assembly		2482-019	Y
19.11	Cable, B Type AC Module		SRV2326-152	Y
19.12	Harness, IFT 6 Pin Wiring		SRV2326-132	Y
19.13	Module, B Type AC		SRV2326-150	Y
19.14	Transformer, 6 Volt Wall		SRV2326-131	Y
19.15	Battery Pack **		SRV2326-134	Y
19.16	Bulb, Halogen		700-542	Y

**Fuse for battery pack can be sourced locally, not a warranty item. Specs are 250v, 3A fuse, 3/4" long

Additional service part numbers appear on following page.



Service Parts

PIER-36TR-IFT

No one builds a better fire

Beginning Manufacturing Date: March 2017

End Manufacturing Date: April 2022

IMPORTANT: THIS IS DATED INFORMATION. Parts must be ordered from a dealer or distributor. **Hearth and Home Technologies does not sell directly to consumers.** Provide model number and serial number when requesting service parts from your dealer or distributor.



Stocked at Depot

ITEM	DESCRIPTION	COMMENTS	PART NUMBER	
	Gasket Assembly Contains Vent, Seal Cap, Burner Neck, Shutter Bracket and Valve Plate Gaskets		2128-081	
	Glass Clips Support Assembly	Qty 8 req	2382-400	
	Lava Rock		2005-790	
	Mineral Wool		050-721	
	Remote, RC400		SRV2326-110	
	Teco-Sil, 5lb. Bag White Ember Bed Rock		SRV700-790	
	Touch Up Paint		TUP-GBK-12	
	Multi Side Front	Black	MSFR-36-BK	
	Multi Side End Panel	Black	MSEP-36-BK	
	Conversion Kit NG		NGK-MS36-IFT	Y
	Conversion Kit Propane		LPK-MS36-IFT	Y
	Pilot Orifice NG		SRV593-528	Y
	Pilot Orifice Propane		SRV593-527	Y
	Regulator NG		NGK-DXV-50	Y
	Regulator Propane		SRVLPK-DXV-50	Y