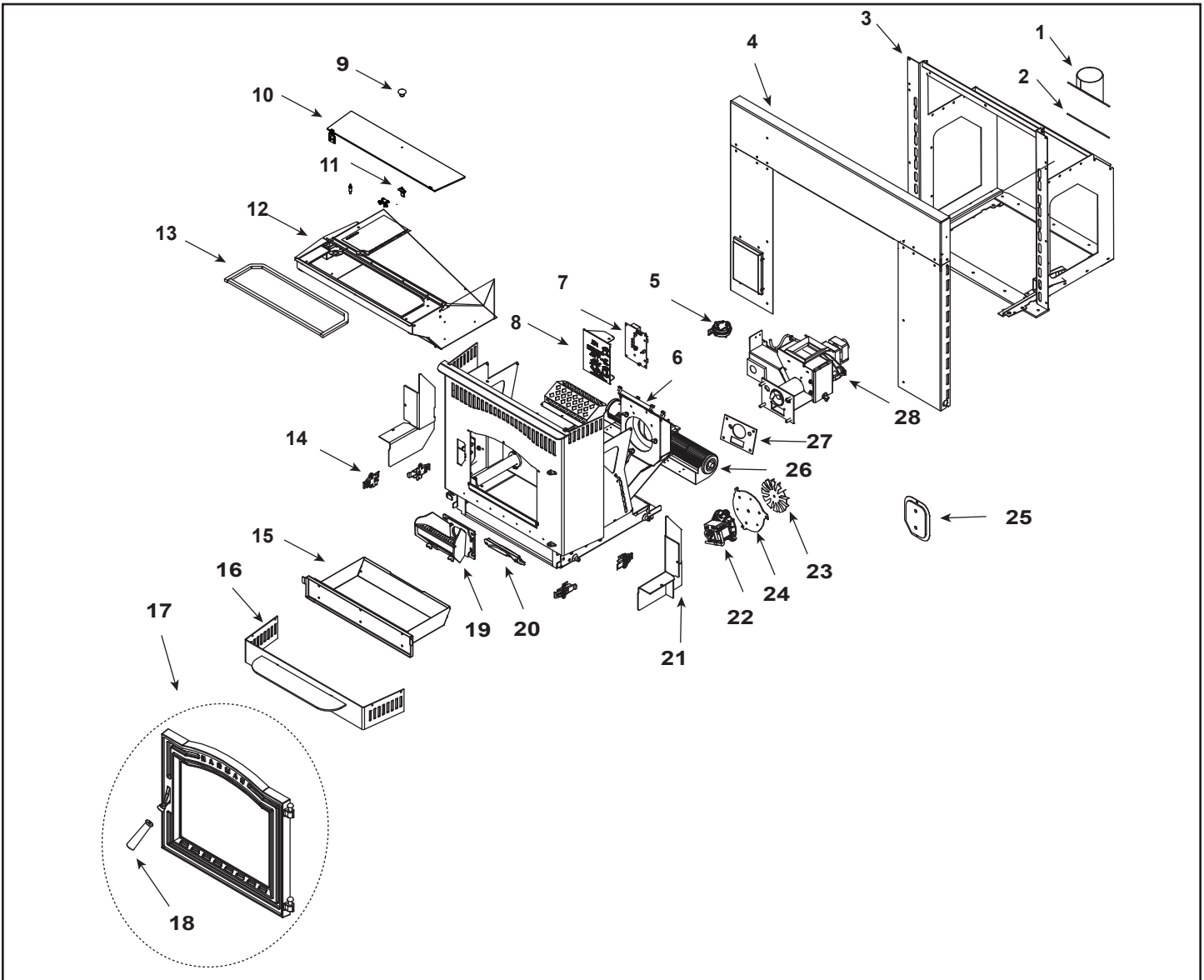


- 1-70-774235-1 (Black 23.5 in) Ending Manufacturing Date: Feb 2020
- 1-70-774235-2 (Charcoal 23.5 in) Ending Manufacturing Date: June 2011
- 1-70-774235-3 (Goldenfire 23.5 in) Ending Manufacturing Date: June 2011
- 1-70-774195-1 (Black 19.5 in) Ending Manufacturing Date: Feb 2020
- 1-70-774195-2 (Charcoal 19.5 in) Ending Manufacturing Date: June 2011
- 1-70-774195-3 (Goldenfire 19.5 in) Ending Manufacturing Date: June 2011



IMPORTANT: THIS IS DATED INFORMATION. Parts must be ordered from a dealer or distributor. **Hearth and Home Technologies does not sell directly to consumers.** Provide model number and serial number when requesting service parts from your dealer or distributor.

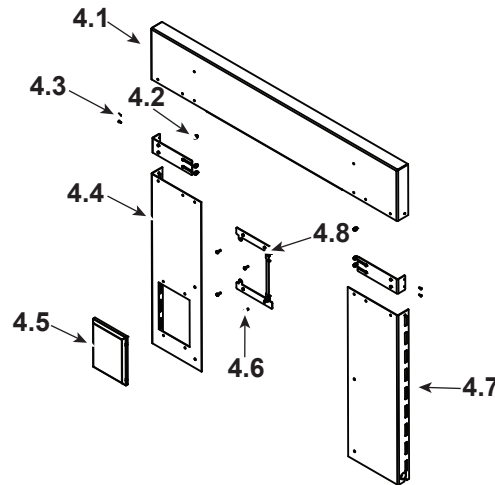


Stocked at Depot

ITEM	Description	COMMENTS	PART NUMBER	
1	Pipe Stub/4 in Flex w/gasket	No longer available	1-00-674040	
	3" Stub Kit		1-00-674039	
2	Gasket Set, Burnpot/Pipe Stub	Set of 5	1-00-07384	Y
3	Mounting Frame Assembly		1-10-774235A	
	Screw - HCS 5/16-18 X 1-1/4	Pkg of 50	3-30-1129-50	Y

Additional service parts on following page.

#4 Surround Assembly



IMPORTANT: THIS IS DATED INFORMATION. Parts must be ordered from a dealer or distributor. **Hearth and Home Technologies does not sell directly to consumers.** Provide model number and serial number when requesting service parts from your dealer or distributor.



Stocked at Depot

ITEM	Description	COMMENTS	PART NUMBER	
4	Wing Assembly	No longer available	1-00-774250-1	
		Standard Black	1-00-774221-1	
		No longer available	1-00-774250-2	
		No longer available	1-00-774250-3	
		No longer available	1-00-774221-SPL	
4.1	Surround Top	Standard	1-10-774222	
		Oversize	1-10-774250	
4.2	Machine Screw Nut10-32, Pkg of 100	Pre 4/19	3-30-8003-100	Y
	Machine Screw Nut10-24, Pkg of 100	Post 4/19	3-30-8002-100	Y
4.3	Pop Rivet 1/8 X 1/8 Black	Pkg of 100	3-30-1104-100	Y
4.4	Surround Left	Standard	1-10-774220	
		Oversize	1-10-774248	
4.5	Control Door w/Hinge		1-00-774310	
4.6	Screw, PHM 8 X 1/2 Black	Pkg of 100	3-30-5000-100	Y
4.7	Surround Right	Standard	1-10-774221	
		Oversize	1-10-774249	
4.8	Control Board Mount	1 Set	1-00-774251	
	Wing Splices	Set of 2	2-00-774178-2	
5	Differential Switch		SRV8320-003	Y
6	Docking Gasket		3-44-06108	Y
7	Circuit Board w/Knobs & Shafts		1-00-05886	Y
		Pkg of 25	1-00-015605	Y
8	Circuit Board Plate		1-10-774114A	Y
	5 Amp Fuses, Pkg of 5	Pre HF662201	3-20-23705-5	Y
		Post HF662201	1-00-05237	Y
	Control Panel Sticker		3-90-07766	

Additional service parts on following page.

IMPORTANT: THIS IS DATED INFORMATION. Parts must be ordered from a dealer or distributor. **Hearth and Home Technologies does not sell directly to consumers.** Provide model number and serial number when requesting service parts from your dealer or distributor.



**Stocked
at Depot**

ITEM	Description	COMMENTS	PART NUMBER	
9	Knob w/Screw	Black	1-00-02000-1	
		Gold	1-00-02000	
10	Top Assembly	No longer available	1-10-774223A	Y
		Post 008651553	1-10-774325A	Y
11	Hopper Latch	2 Sets	1-00-0669697	Y
12	23.5 in Hopper	No longer available	1-10-774050A	
		No longer available	1-10-774150A	
		No longer available	1-10-774850A	
	19.5 in Hopper	No longer available	1-10-774028A	
		No longer available	1-10-774128A	
		No longer available	1-10-774828A	
	Switch, Hopper Lid,48 in		3-20-232108	Y
13	3/8X1/2 Silicone PSA-20FT For hopper top		1-00-375501	Y
14	Spring Latch	Qty 4 req	3-31-00927	Y
15	Ash Pan W/Gasket		1-10-774207	Y
	Ash Pan Gasket		3-44-774211	Y
16	Ash Pan Cover Assembly		1-10-774205A	
17	Load Door	Painted Only	3-00-06718P	
	Door glass w/Gasket		1-00-00688	Y
	1/4 Rd Black PSA For glass	15 Ft	1-00-2312	Y
	Glass Clips & Hdwr		1-00-249140	Y
	Latch Kit		1-00-73553	Y
	Ball Plungers	Pkg of 3	3-31-5500-3	
	Ball Spring Bracket		2-00-06714	
	Spring Retainers, 5/16"	Pkg of 100	3-31-94807-100	
	Cast Front Door Latch		3-00-249119P	Y
	Door Latch Adjuster		2-00-06713D	
	3/8 4 Strand White-30 Ft	15 Ft	1-00-1203589	Y
	Slick Pins, 1 Pair		1-00-110	Y
18	Wood Handle w/Bolt		1-00-00247	Y
19	Burnpot w/Cleanout		1-10-774286	Y
	Igniter Cradle		1-00-777907	
	Burnpot Cleanout Cover	Set of 2	1-00-06623	Y
	Wingscrews, 1/4-20 x 5/8	Pkg of 10	3-31-782108-10	Y
20	Flame Guide		3-00-03000	Y
	Flame Guide Extension		1-00-774338	Y
21	Cleanout Cover Set	Left & Right	1-00-774213	

Additional service parts on following page.

IMPORTANT: THIS IS DATED INFORMATION. Parts must be ordered from a dealer or distributor. **Hearth and Home Technologies does not sell directly to consumers.** Provide model number and serial number when requesting service parts from your dealer or distributor.

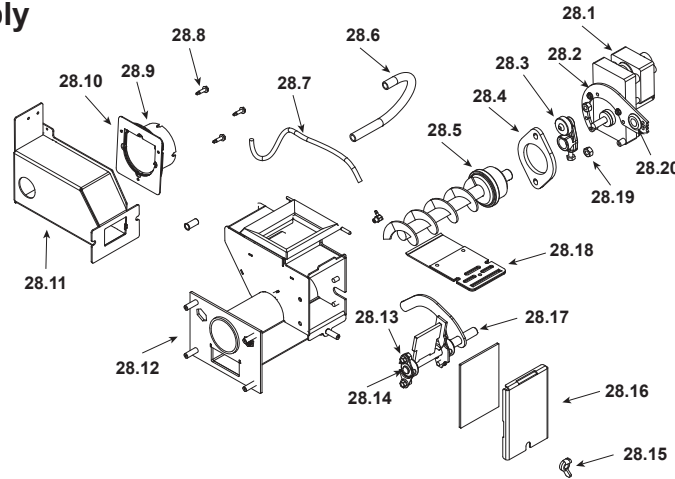


**Stocked
at Depot**

ITEM	Description	COMMENTS	PART NUMBER	
22	Combustion Blower	Fan blades not included	3-21-08639	Y
	Combustion Blower Mounting Screws (Pkg of 100)	Commonly required for Combustion Blower replacement	1-00-53483208	
23	Motor Blade, 4-3/4" Single Paddle		3-21-00661	Y
24	Combustion Blower Mount		1-10-677006	
25	Combustion Cleanout		1-10-774167A	Y
26	Distribution Blower		1-00-29145	Y
27	Gasket, Burnpot/Pipe Stub	Pkg of 5 sets	1-00-07384	Y
28	UL Feeder Assembly		See following page	
	14 Ft Power cord		3-20-674200	Y
	306W/120V Igniter 15 Fin		3-20-677200	Y
		Pkg of 10	1-00-677200	Y
	Airwash O-rings	Pkg of 10	1-00-939639	Y
	Ash Lip Trim	Gold	3-43-08400	
		Brushed Stainless	3-43-08400-7	
		Bright Nickel	3-43-08400-8	
	Burnpot Scrapers	Pkg of 10	2-00-773850-10	
	Diagnostic Display Module		3-20-05401	Y
	DDM Replacement Cable		1-00-05402	
	Disconnect, 3/16" Female	Pkg of 25	1-00-08529	Y
	Disconnect, Female	Pkg of 25	1-00-00959	Y
	Disconnect, Male	Pkg of 25	1-00-00957	Y
	Door Hinge		2-00-06707L	
	Leaf Door Trim	Gold	3-43-06717-4	
		Brushed Stainless	3-43-06717-7	
		No longer available	3-43-06717-8	
	Modern Door Trim	Brushed Stainless	3-43-06797-7	
	Draft Meter Assembly		1-00-00637	Y
	Draft Meter Bolt & Tube		1-00-04004	
	ESP-RED/RED		3-20-00844	Y
	Labels, Caution & Danger	10 Sets	1-00-200408541	
	Lintel, All Thread	Qty 2 req	3-31-00949	
	Lintel Kit	No longer available	1-00-774279	
	Pipe Insulation		3-44-774282	Y
	Pop Rivets, 1/8" Black	Pkg of 100	3-30-1104-100	Y
	Roller Hardware	4 Sets	1-00-05232	Y
	Room Sensor		3-20-00906	Y
	Touch up Paint, Black	Pre 008654714	3-42-1990	
		Post 008654714	3-42-19905	
	Wiring Harness		3-20-08727	Y

Additional service parts on following page.

#28 Feeder Assembly



IMPORTANT: THIS IS DATED INFORMATION. Parts must be ordered from a dealer or distributor. **Hearth and Home Technologies does not sell directly to consumers.** Provide model number and serial number when requesting service parts from your dealer or distributor.



Stocked at Depot

ITEM	Description	COMMENTS	PART NUMBER	
28	UL Feeder Assembly		1-10-774000A	Y
28.1	Pellet Feeder CW Motor-4 RPM		3-20-60906	Y
28.2	Feeder Motor Bracket w/ Grommet		1-00-247406	Y
28.3	Bearing 3/8 ID X 1-1/8 OD		3-31-3014	Y
	Cast Cam Block		3-00-677154	Y
28.4	Pellet Feeder Bearing RETNR w/Bolts		1-00-04035	Y
28.5	Pellet Feeder Auger		3-50-00565	Y
28.6	Feeder Air Crossover Kit		1-00-67900	Y
	9MM X 13MM Tubing Kit	5 Ft	1-00-511427	Y
28.7	1/8 Silicone Tubing	5 Ft	1-00-5113574	Y
28.8	Screws-HWH TEKS 10 X 3/4	Pkg of 100	3-30-5004-100	Y
28.9	Pellet Air Intake w/Gasket		1-10-06810A	
28.10	Gasket, Feeder Air Intake	Pkg of 6	3-44-72224-6	Y
28.11	Snout Weldment w/Gasket		1-10-774143A	
28.12	Pellet Feeder Weldment		1-10-724132	Y
28.13	Flange 1/4-20 X 3/8	Pkg of 50	3-30-2000-50	Y
28.14	Pillow Block-1/2 in	Pkg of 4	3-31-3614087-4	Y
28.15	Wing Nut, 5/16-18	Pkg of 25	3-30-8012-25	Y
28.16	Short Feed CVR & Gasket		1-00-677122	Y
28.17	Pusher Arm Assembly		1-10-774354W	Y
28.18	Slide Plate		1-10-677121A	Y
28.19	Nut, FHN 5/16-18 Z 5	Pkg of 100	3-30-8005-100	Y
28.20	Grommet-1/2 in ID-Thick	Pkg of 12	3-31-2761-12	
	Gasket Hopper Throat		3-44-677185	Y
	Gasket, Snout	Pkg of 10	3-44-677160-10	Y
	Hopper Switch Feeder Fitting	Pkg of 2	1-00-142818	Y