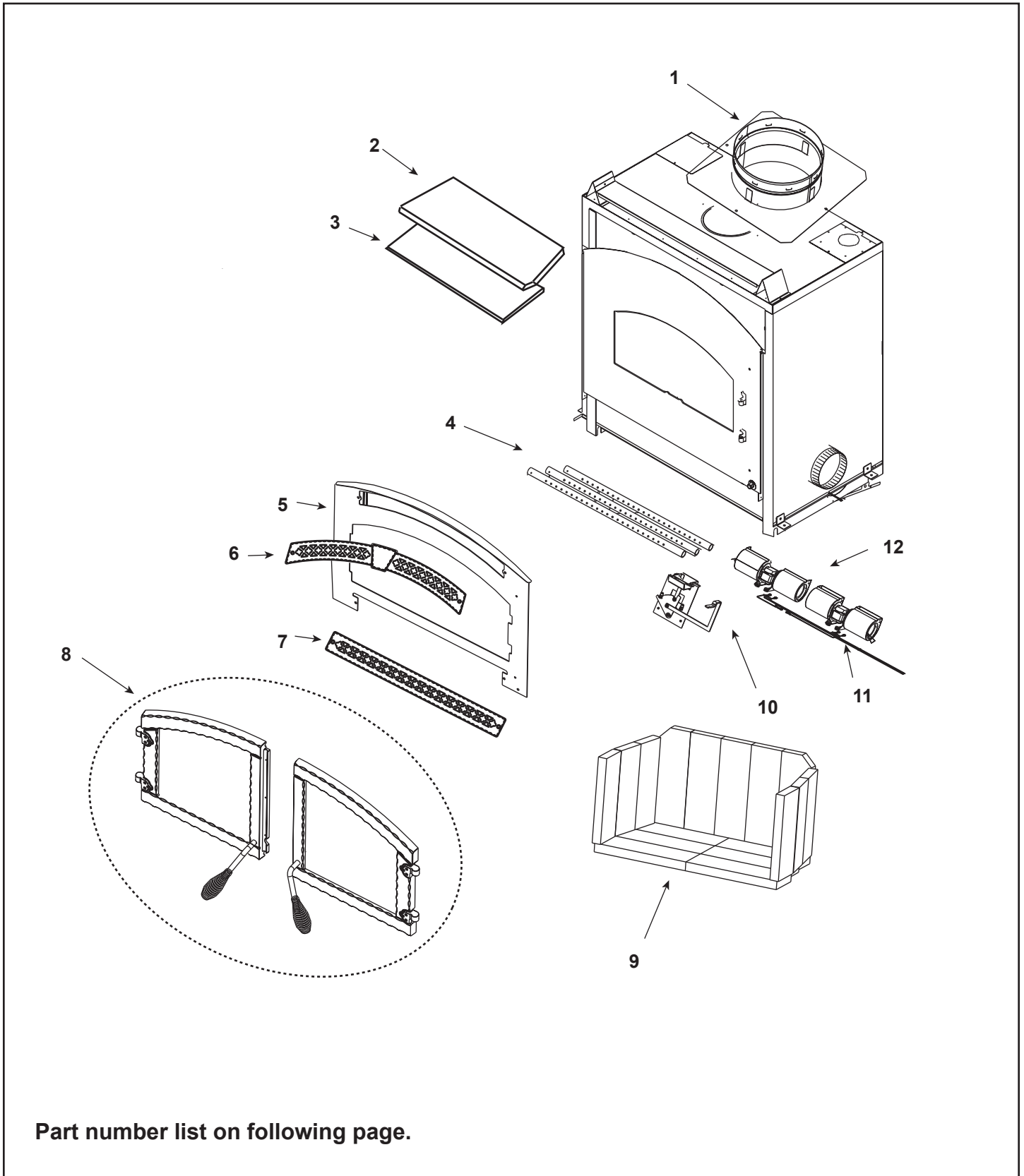


Northstar-BK, Black (Feb 2003-May 2020), Northstar-NT, Nickel (July 2004-May 2017)  
Northstar-GD, Gold (May 2003 -Apr 2004), Northstar-GT, Gold Trim (July 2004-Sept 2007)



Part number list on following page.

No one builds a better fire

Beginning Manufacturing Date: Mar 2002

Ending Manufacturing Date: May 2020

IMPORTANT: THIS IS DATED INFORMATION. Parts must be ordered from a dealer or distributor. **Hearth and Home Technologies does not sell directly to consumers.** Provide model number and serial number when requesting service parts from your dealer or distributor.



**Stocked at Depot**

| ITEM                             | DESCRIPTION                                   | COMMENTS                   | PART NUMBER |   |
|----------------------------------|---|----------------------------|-------------|---|
| 1                                | Starter Plate Assembly                        |                            | SL1         |   |
|                                  | 8 in Starter Section                          |                            | SRV22069    | Y |
| <b>#2 Ceramic Blanket</b>        |   |                            |             |   |
| 2                                | Ceramic Blanket                               |                            | SRV480-0760 |   |
| 3                                | Baffle, Fiberboard                            |                            | SRV480-0510 | Y |
| 4                                | Manifold Tubes                                | Set of 3                   | TUBES-480   | Y |
|                                  | Manifold Clip Screws                          |                            | 832-0661    | Y |
| 5                                | Fascia, Plate only                            | Black Only                 | FASCIA-NS   |   |
|                                  | Screw, 1/4-20 x 1.25 Button Head, Black Oxide | Pkg of 8                   | 4021-816/8  |   |
| <b>#6 Top Louver Assembly</b>    |   |                            |             |   |
| 6                                | Louver Top                                    | Black, No Trim             | SRV480-7040 |   |
|                                  |   | <b>No longer available</b> | 480-5320    |   |
|                                  |   | <b>No longer available</b> | 480-5380    |   |
| 6.1                              | Nut, 8-32, Keps                               | Pkg of 40                  | 226-0060/40 | Y |
| 6.2                              | Louver Trim, Upper                            | <b>No longer available</b> | 480-1710    |   |
|                                  |   | <b>No longer available</b> | 480-1830    |   |
| 6.3                              | Louver Trim, Lower                            | <b>No longer available</b> | 480-1720    |   |
|                                  |   | <b>No longer available</b> | 480-1840    |   |
| <b>#7 Bottom Louver Assembly</b> |   |                            |             |   |
| 7                                | Louver Bottom                                 | Black, No Trim             | SRV480-7030 |   |
|                                  |   | <b>No longer available</b> | 480-5310    |   |
|                                  |   | <b>No longer available</b> | 480-5370    |   |
| 7.1                              | Nut, 8-32, Keps                               | Pkg of 40                  | 226-0060/40 | Y |
| 7.2                              | Louver Trim, Bottom                           | <b>No longer available</b> | 480-1700    |   |
|                                  |   | <b>No longer available</b> | 480-1820    |   |

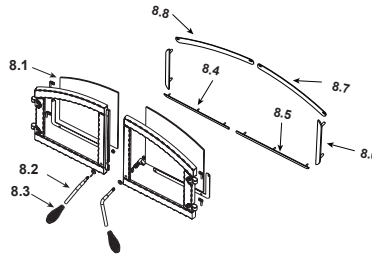
Additional service part numbers on following page.

No one builds a better fire

Beginning Manufacturing Date: Mar 2002

Ending Manufacturing Date: May 2020

### #8 Door Assembly



**IMPORTANT: THIS IS DATED INFORMATION.** Parts must be ordered from a dealer or distributor. **Hearth and Home Technologies does not sell directly to consumers.** Provide model number and serial number when requesting service parts from your dealer or distributor.



**Stocked at Depot**

| ITEM | DESCRIPTION   | COMMENTS                   | PART NUMBER    |   |
|------|---|----------------------------|----------------|---|
| 8    | Door Assembly, Black, ( A whole new door must be ordered to change the color of the trim  | Pre 0071533828             | 480-5010       |   |
|      |   | Post 0071533828            | SRV480-5460    |   |
|      | Door Assembly, Nickel, ( A whole new door must be ordered to change the color of the trim | <b>No longer available</b> | 480-5330       |   |
|      |   | <b>No longer available</b> | SRV480-5480    |   |
|      | Door Assembly, Gold, ( A whole new door must be ordered to change the color of the trim   | <b>No longer available</b> | 480-5270       |   |
|      |   | <b>No longer available</b> | SRV480-5470    |   |
|      | Door Gasketing, 1/2 in. (Right 47.60"/Left 58.80")  |                            | SRV433DRGASKET | Y |
|      | Gasket, Lytherm, 1/2" x 1/8"  | 4.17 Ft                    | 834-2590       |   |
|      | Door Hinges, Right Hand   | Pkg of 4                   | 480-2110/4     | Y |
|      | Door Hinges, Left hand  | Pkg of 4                   | 480-2120/4     | Y |
|      | Screw, 8 x 32 x 3/8   | Pkg of 40                  | 225-0500/40    | Y |
|      | Washer, 3/8 SAE,  | 3 ea                       | 832-0990       | Y |
| 8.1  | Glass Assembly  | Qty 2 req                  | SRV480-5430    | Y |
|      | Glass Gasketing, 1/4 in   | 10 Ft                      | 834-1460       | Y |
|      | Glass Frame Bottom  |                            | SRV480-1450    |   |
|      | Glass Frame Top   |                            | SRV480-1440    |   |
| 8.2  | Handle Assembly   |                            | HANDLES-480    |   |
|      | Includes 2 door handles, securing bracket, lock nut, latch cam key and cam latch          |                            |                |   |
|      | Cam Latch   |                            | SRV32084       |   |
|      | Cam Latch Key, 5/8 in   |                            | SRV430-1151    |   |
|      | Door Handle   | Left                       | SRV480-0530    |   |
|      |   | Right                      | SRV480-0520    |   |
| 8.3  | Spring Handle, 1/2" Gold  | Pkg of 2                   | 832-0620       | Y |
|      | Spring Handle, 1/2" Nickel  | Pkg of 1                   | SRV250-8330    | Y |
| 8.4  | Door Trim Bottom, Left (Only use for damaged as a replacement for damaged parts)          | <b>No longer available</b> | 480-1680       |   |
|      |   | <b>No longer available</b> | 480-1800       |   |
| 8.5  | Door Trim Bottom, Right (Only use for damaged as a replacement for damaged parts)         | <b>No longer available</b> | 480-1670       |   |
|      |   | <b>No longer available</b> | 480-1790       |   |
| 8.6  | Door Trim Top, Left (Only use for damaged as a replacement for damaged parts)             | <b>No longer available</b> | 480-1660       |   |
|      |   | <b>No longer available</b> | 480-1780       |   |
| 8.7  | Door Trim Top, Right (Only use for damaged as a replacement for damaged parts)            | <b>No longer available</b> | 480-1650       |   |
|      |   | <b>No longer available</b> | 480-1770       |   |
| 8.8  | Door Trim Top, Side (Only use for damaged as a replacement for damaged parts)             | <b>No longer available</b> | 480-1690       |   |
|      |   | <b>No longer available</b> | 480-1810       |   |

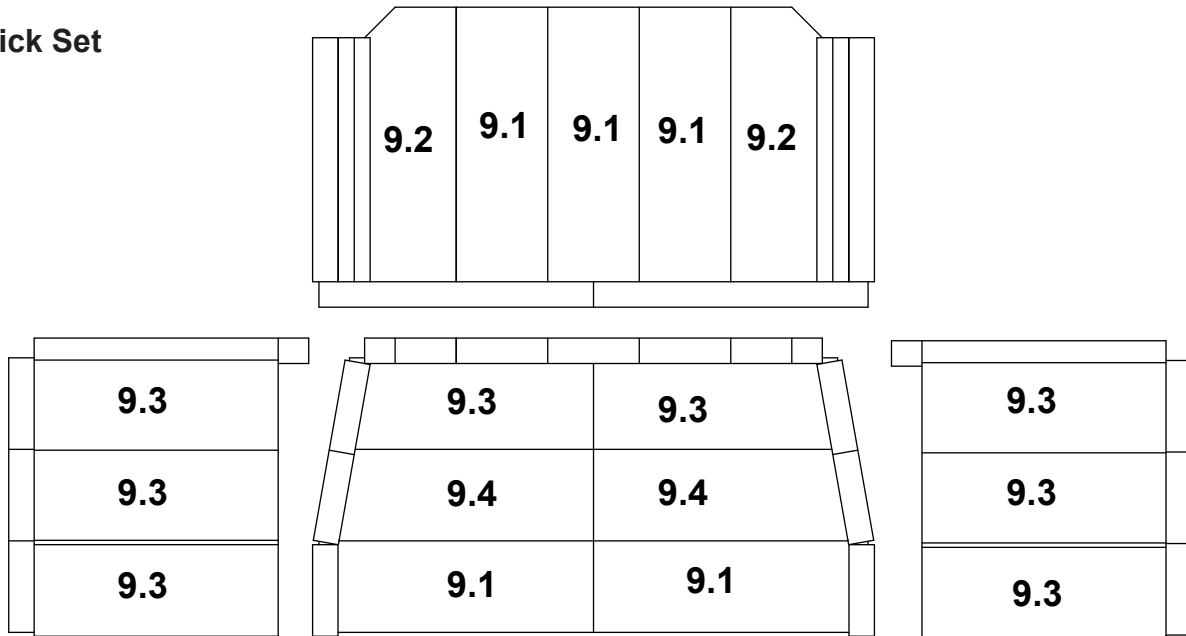
Additional service part numbers on following page.

No one builds a better fire

Beginning Manufacturing Date: Mar 2002

Ending Manufacturing Date: May 2020

### #9 Brick Set



**IMPORTANT: THIS IS DATED INFORMATION.** Parts must be ordered from a dealer or distributor. **Hearth and Home Technologies does not sell directly to consumers.** Provide model number and serial number when requesting service parts from your dealer or distributor.

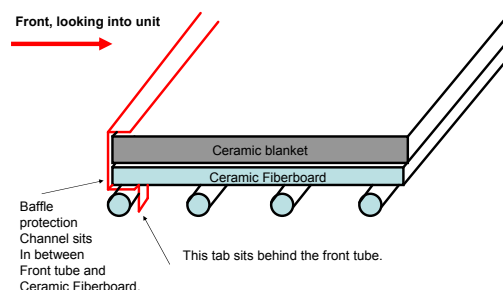


**Stocked at Depot**

| ITEM | DESCRIPTION   | COMMENTS        | PART NUMBER |   |
|------|---|-----------------|-------------|---|
| 9    | Brick Set   |                 | BRICK-480   |   |
| 9.1  | Brick, 13-1/4" x 4-1/2" x 1-1/4"                      | Qty 5 req       | SRV7000-306 |   |
| 9.2  | Brick, 13-1/4" x 4-1/2" x 1-1/4", With 1-1/2" Chamfer | Qty 2 req       | SRV480-2270 |   |
| 9.3  | Brick, 12" x 4-1/2" x 1-1/4"                          | Qty 8 req       | SRV480-2280 |   |
| 9.4  | Brick 12-1/2" x 4-1/2" x 1-1/4"                       | Qty 2 req       | SRV480-2290 |   |
| 10   | Timer Assembly  |                 | SRV480-5150 | Y |
|      | Gasket, Timer   |                 | SRV480-1240 |   |
|      | Timer   |                 | SRV480-1940 | Y |
|      | Screw, 8-32 x 1/2" ( Assembly includes qty. of 2 )    | Pkg of 25       | 220-0030/25 | Y |
|      | Washer ( Assembly includes qty. of 2 )                | Pkg of 25       | 227-0080/25 | Y |
| 11   | Wiring Harness  |                 | SRV480-0990 | Y |
| 12   | Blower Assembly w/Bracket ( Qty 2 req)                | Pre 0091535936  | 812-4900    | Y |
|      |   | Post 0091535936 | SRV433-5890 | Y |

### Protection Channel

**Side view**



|    |                         |  |             |  |
|----|-------------------------|--|-------------|--|
| 13 | Baffle Protection Panel |  | SRV480-2100 |  |
|----|-------------------------|--|-------------|--|

Additional service part numbers on following page.

No one builds a better fire

Beginning Manufacturing Date: Mar 2002

Ending Manufacturing Date: May 2020

IMPORTANT: THIS IS DATED INFORMATION. Parts must be ordered from a dealer or distributor. **Hearth and Home Technologies does not sell directly to consumers.** Provide model number and serial number when requesting service parts from your dealer or distributor.



Stocked  
at Depot

| ITEM                  | DESCRIPTION  | COMMENTS                   | PART NUMBER   |   |
|-----------------------|--|----------------------------|---------------|---|
|                       | Access Assembly  |                            | 433-6270      |   |
|                       | Chimney Air Kit  |                            | CAK4A         |   |
|                       | Face Board Assembly, Non-combustible board   |                            | SRV480-5440   | Y |
|                       | Facia Template   |                            | HHT-Template  |   |
|                       | Fan Speed Control  |                            | SRV7000-143   | Y |
|                       | Fire Screen  |                            | MESH-HHT-C    | Y |
|                       | Header Shield  |                            | 480-1130      |   |
|                       | Hearth Strip   |                            | SRV18320      |   |
|                       | Knob Black , Outside Air   |                            | SRV7000-246   | Y |
|                       | Latch Magnet   |                            | SRV229-0631   |   |
|                       | Light Switch   | No longer available        | SRV480-1260   |   |
|                       | Light Switch Cover Plate   | No longer available        | SRV480-1270   |   |
|                       | Lintel Bar   |                            | LINTELBAR-HHT |   |
|                       | Manual Bag Assembly,<br>Includes owner's manual, 1 spring handle-1/4 in, fan switches & cover plate, warranty card and touch-up paint. | Black or Gold (No Handles) | SRV480-1140   |   |
|                       |  | Nickel (Includes Handles)  | SRV480-1950   |   |
|                       | Outer Can cover Plate  |                            | 480-1300      |   |
|                       | Outside Air Door Assembly  |                            | 480-5560      |   |
|                       | Outside Air Hood 6"  |                            | SRV4059-051   |   |
|                       | Outside Air Shield   |                            | SRV33271      | Y |
|                       | Slider Control Assembly  |                            | 480-5410      |   |
|                       | Snap Disc Bracket  |                            | 410-2521      |   |
|                       | Snap Disc, F220-160F   |                            | SRV480-1730   | Y |
|                       | Snap Disc, F180F-150, (for use with Uninsulated Chases)  |                            | SRV4021-827   |   |
|                       | Spring Handle, 1/2 in, Black   | Pkg of 1                   | SRV7000-613   | Y |
|                       | Spring Handle, 1/4 in, Black   | Pkg of 1                   | SRV7000-614   | Y |
|                       | Spring Handle, 1/4 in, Gold  | Pkg of 1                   | 832-0630      | Y |
|                       | Spring Handle, 1/4 in, Nickel  | Pkg of 1                   | SRV250-8340   | Y |
|                       | Stand Off, Top   |                            | 480-1040      |   |
|                       | Touch Up Paint   | Black                      | 812-0910      |   |
|                       | Unit Collar  |                            | SRV659-125    |   |
|                       | Adhesive, Hi Temp  | Super Calstic              | 7000-298      |   |
| <b>Fastener Packs</b> |  |                            |               |   |
|                       | AVK Repair Kit 1/4-20  |                            | RIVNUT-REPAIR | Y |
|                       | Screw, 1/4-20 x 5/8  | Pkg of 24                  | 220-0440/24   | Y |
|                       | Screw, HWH MS 1/4-20 x 3/4   | Pkg of 25                  | 220-0080/25   | Y |
|                       | Screw, PH 8-32 x 1/2   | Pkg of 25                  | 220-0030/25   | Y |
|                       | Washer, 1/4 SAE (for door)   | Pkg of 24                  | 28758/24      | Y |