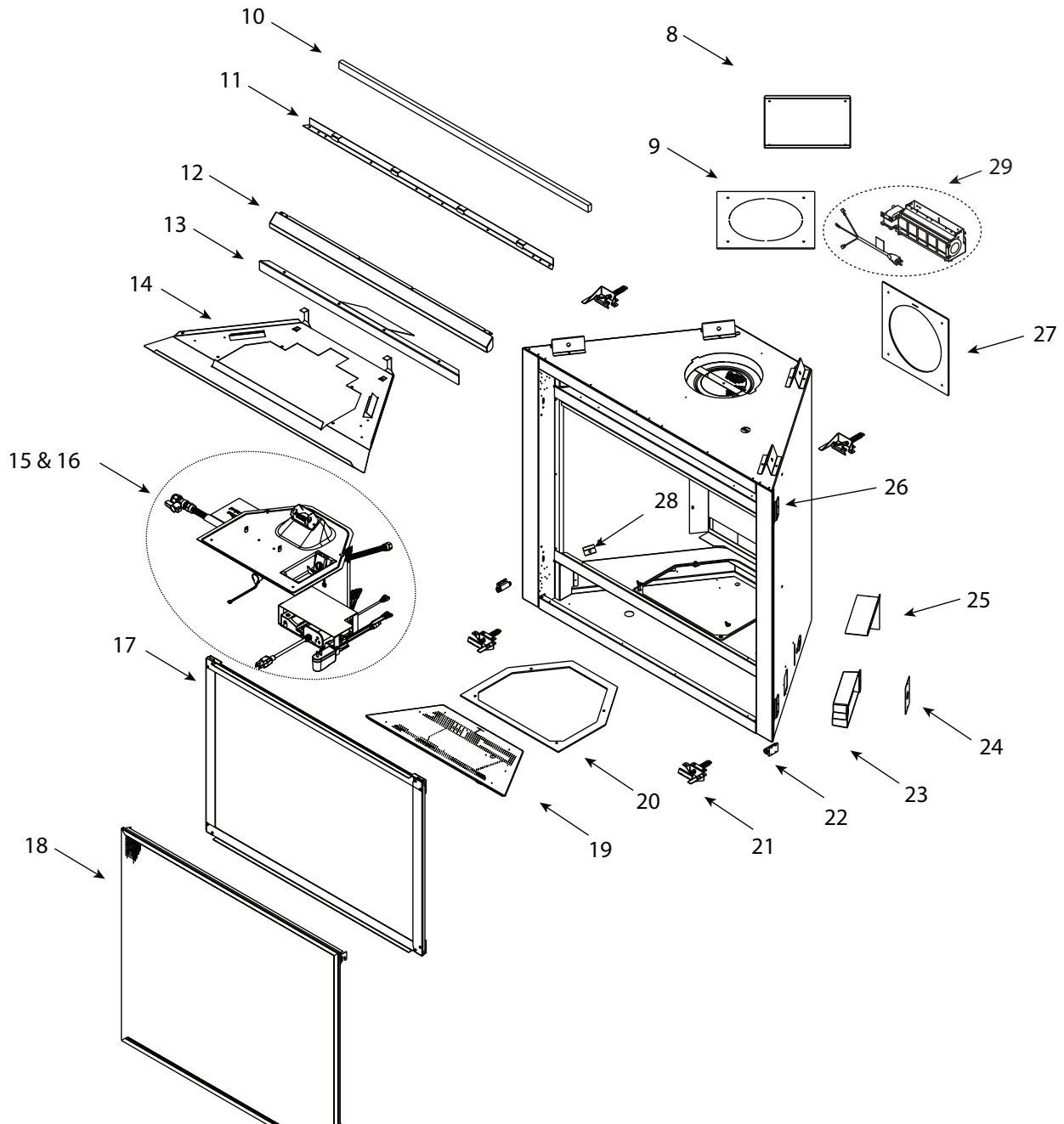
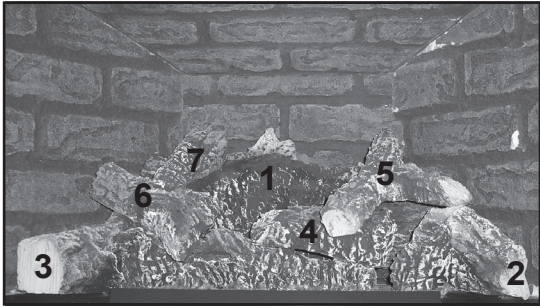


**Log Set Assembly**



Part number list on following page.

IMPORTANT: THIS IS DATED INFORMATION. Parts must be ordered from a dealer or distributor. **Hearth and Home Technologies does not sell directly to consumers.** Provide model number and serial number when requesting service parts from your dealer or distributor.

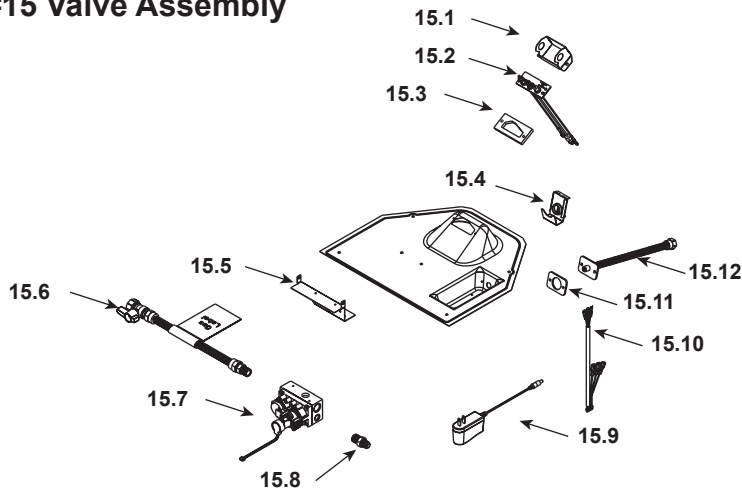


Stocked  
at Depot

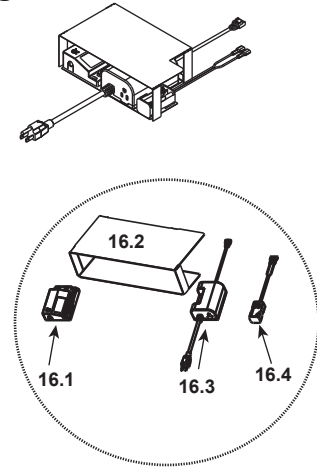
| ITEM    | DESCRIPTION                               | COMMENTS   | PART NUMBER                |   |
|---------|---|--|----------------------------|---|
|         | Log Assembly                              |  | 4055-976                   | Y |
| 1       | Back Log                                  | <b>No longer available, Must order complete assembly</b> | SRV4055-966                |   |
| 2       | Bottom Right Log                          |  | SRV4055-967                |   |
| 3       | Bottom Left Log                           |  | SRV4055-969                |   |
|         | Log Assembly, Top and Middle              |  | SRV4055-974                |   |
| 4       | Middle Right Log                          |  | SRV4055-970                |   |
| 5       | Top Right Log                             |  | SRV4055-971                |   |
| 6       | Middle Left Log                           |  | SRV4055-972                |   |
| 7       | Top Left Log                              | SRV4055-973  |                            |   |
| 8       | Intake Cover Plate                        |  | 2166-450                   |   |
| 9       | Intake Cover Gasket                       |  | 4031-239                   |   |
| 10      | Non Combustible Board                     |  | 4055-895                   |   |
| 11      | Dry Wall Lip                              |  | 4055-893                   |   |
| 12      | Hood                                      |  | 4055-215                   |   |
| 13      | Heater Baffle                             |  | 4055-881                   |   |
| 14      | Hearth Pan                                |  | 4055-874                   |   |
| 15 & 16 | Valve Assembly/ Ignition Control Assembly |  | <b>Refer to valve page</b> |   |
| 17      | Glass Frame Assembly                      |  | GLA4000-307                | Y |
| 18      | Screen Assembly                           |  | SIM-4236                   | Y |
| 19      | Burner Assembly NG                        |  | 4055-882                   | Y |
|         | Burner Assembly LP                        |  | 4055-896                   | Y |
| 20      | Gasket Valve Plate                        |  | 4055-135                   |   |
| 21      | Glass Latch Assembly                      | Pkg of 2   | 33858/2                    | Y |
| 22      | Magnetic Touch Latch                      | Qty 2 req  | 4021-650                   | Y |
| 23      | Junction Box                              |  | SRV4021-013                | Y |
| 24      | Cover Plate                               |  | SRV4031-222                |   |
| 25      | Junction Box Shield                       |  | 4055-888                   |   |
| 26      | Nailing Flange                            | Qty 4 req  | SRV4044-161                |   |
| 27      | Back Gasket                               |  | SRV4000-225                |   |
| 28      | Refractory Bracket                        | Qty 4 req  | 4055-867                   |   |
| 29      | Blower Assembly                           |  | 4031-057                   |   |
|         | Power Cord                                |  | SRV26648                   |   |
|         | Cord Clip                                 |  | 14218                      |   |
|         | Remote Transmitter                        |  | 2166-321                   |   |
|         | Refractory Assembly (Sold as a Set)       |  | SRV2382-756                |   |
|         | Touch Up Paint, Firebox                   | Interior   | SRV4021-110                |   |
|         | Touch Up Paint                            | Exterior   | TUP-GBK-12                 |   |
|         |   |  |                            |   |

Additional service parts on following page.

### #15 Valve Assembly



### #16 Ignition Control Assembly



IMPORTANT: THIS IS DATED INFORMATION. Parts must be ordered from a dealer or distributor. **Hearth and Home Technologies does not sell directly to consumers.** Provide model number and serial number when requesting service parts from your dealer or distributor.



**Stocked  
at Depot**

| ITEM  | DESCRIPTION               | COMMENTS | PART NUMBER   |   |
|-------|---------------------------|----------|---------------|---|
| 15.1  | Pilot Shield              |          | 4055-889      |   |
| 15.2  | Pilot Assembly NG         |          | SRV2090-012   | Y |
|       | Pilot Assembly LP         |          | 2090-013      | Y |
| 15.3  | Pilot Gasket              |          | 4021-042      |   |
| 15.4  | Air Shutter Assembly      |          | SRV4055-202   | Y |
| 15.5  | Valve Bracket             |          | 4055-205      |   |
| 15.6  | Flex Ball Valve Assembly  |          | SRV302-320    | Y |
| 15.7  | Valve NG                  |          | SRV2166-302   | Y |
|       | Valve LP                  |          | 2166-303      | Y |
| 15.8  | Male Connector            | Pkg of 5 | 303-315/5     | Y |
| 15.9  | Transformer               |          | SRV2326-131   | Y |
| 15.10 | Wire Harness              |          | 2166-304      | Y |
| 15.11 | Gasket, Bulkhead          |          | 4021-429      |   |
| 15.12 | Bulkhead W/Flex Tube      |          | 4021-512      | Y |
| 16    | Ignition Control Assembly |          | SRV4055-964   | Y |
| 16.1  | Control Module            |          | 2166-347      | Y |
| 16.2  | Control Module Plate      |          | 4055-899      |   |
| 16.3  | AuxRC200                  |          | 2166-325      | Y |
| 16.4  | **Battery Pack            |          | SRV2166-323   | Y |
|       | Orifice NG (#37C)         |          | 582-837       | Y |
|       | Orifice LP (#52C)         |          | SRV582-852    | Y |
|       | Conversion Kit NG         |          | DCKVN-NNXT    | Y |
|       | Conversion Kit LP         |          | DCKVP-NNXT    | Y |
|       | Pilot Orifice NG          |          | SRV593-528    | Y |
|       | Pilot Orifice LP          |          | SRV593-527    | Y |
|       | Regulator NG              |          | NGK-DXV-50    | Y |
|       | Regulator LP              |          | SRVLPK-DXV-50 | Y |