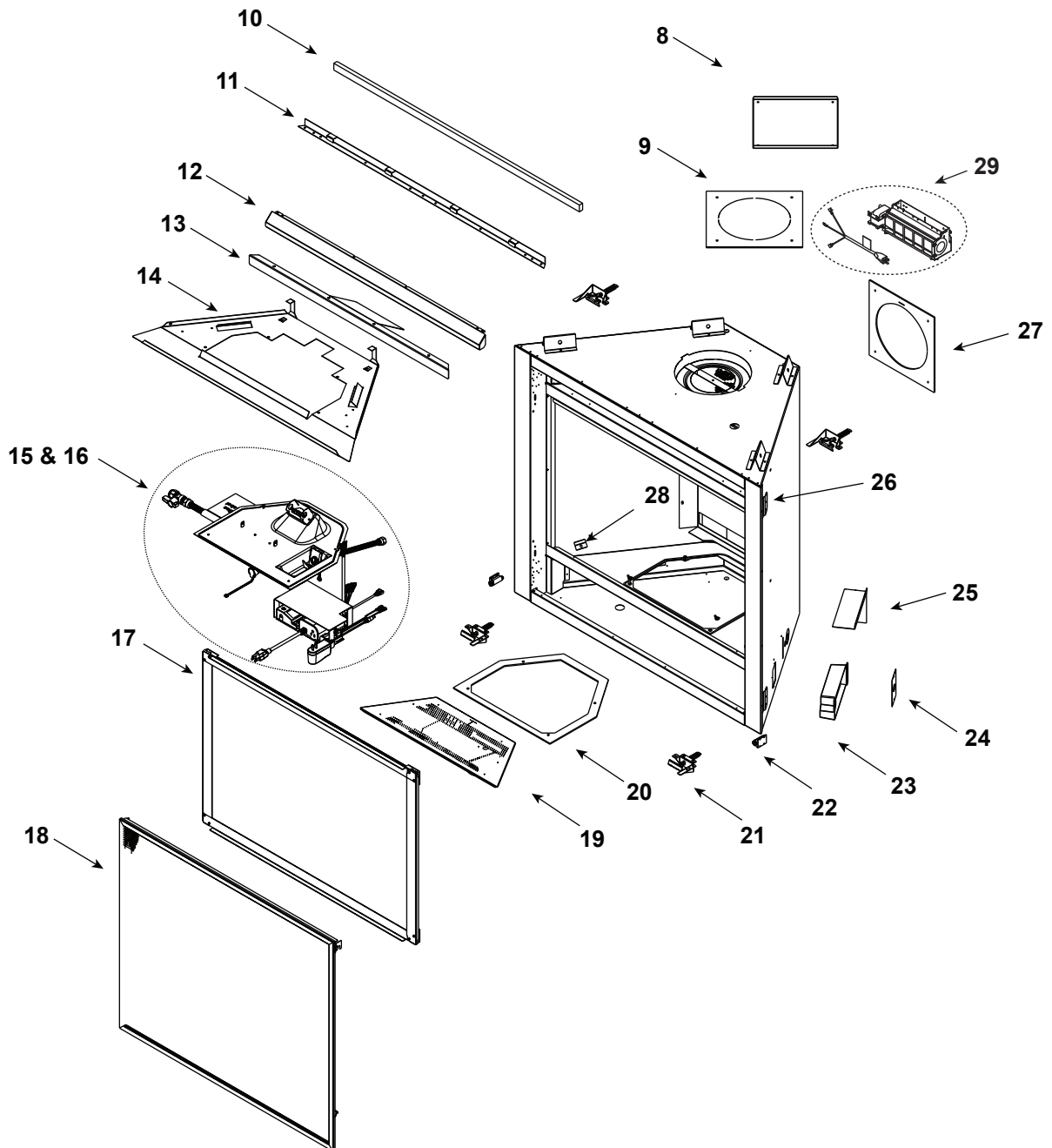
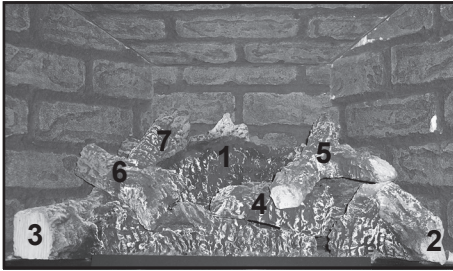


**Log Set Assembly**



Part number list on following page.

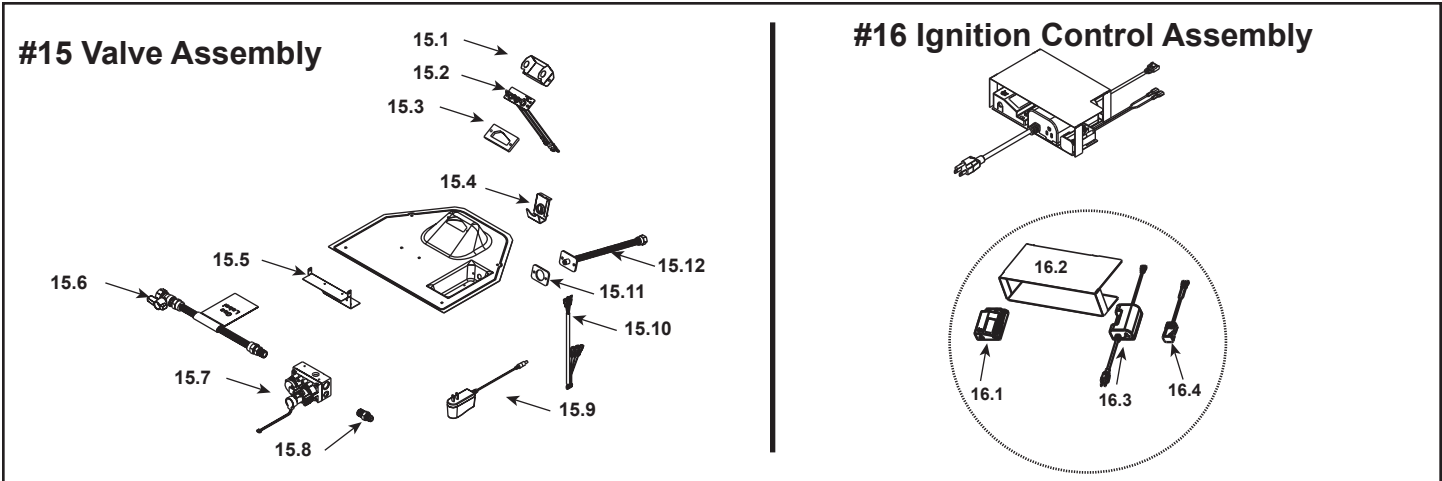
IMPORTANT: THIS IS DATED INFORMATION. Parts must be ordered from a dealer or distributor. **Hearth and Home Technologies does not sell directly to consumers.** Provide model number and serial number when requesting service parts from your dealer or distributor.



**Stocked  
at Depot**

ITEM	DESCRIPTION	COMMENTS	PART NUMBER	
	Log Assembly		4055-975	Y
1	Back Log	<b>No longer available, Must order complete assembly</b>	SRV4055-965	
2	Bottom Right Log		SRV4055-967	
3	Bottom Left Log		SRV4055-969	
	Log Assembly, Top and Middle		SRV4055-974	
4	Middle Right Log		SRV4055-970	
5	Top Right Log		SRV4055-971	
6	Middle Left Log		SRV4055-972	
7	Top Left Log		SRV4055-973	
8	Intake Cover Plate		2166-450	
9	Intake Cover Gasket		4031-239	
10	Non Combustible Board		4055-894	
11	Dry Wall Lip		4055-892	
12	Hood		4055-214	
13	Heater Baffle		4055-880	
14	Hearth Pan		4055-873	
15 & 16	Valve Assembly NG/ Ignition Control Assembly		<b>Refer to valve page</b>	
17	Glass Frame Assembly		GLA4031-542	Y
18	Screen Assembly		SIM-3933	Y
19	Burner Assembly NG		4055-882	Y
	Burner Assembly LP		4055-896	Y
20	Gasket Valve Plate		4055-135	
21	Glass Latch Assembly	Pkg of 2	33858/2	Y
22	Magnetic Touch Latch	Qty 2 req	4021-650	Y
23	Junction Box		SRV4021-013	Y
24	Cover Plate		SRV4031-222	
25	Junction Box Shield		4055-888	
26	Nailing Flange	Qty 4 req	SRV4044-161	
27	Back Gasket		SRV4000-225	
28	Refractory Bracket	Qty 4 req	4055-867	
29	Blower Assembly		4031-057	
	Power Cord		SRV26648	
	Cord Clip	<b>No Longer Available</b>	14218	
	Remote Transmitter		2166-321	
	Refractory Assembly (Sold as a Set Only)	<b>No Longer Available</b>	SRV4055-851	
	Touch Up Paint, Firebox	Interior	SRV4021-110	
	Touch Up Paint	Exterior	TUP-GBK-12	

Additional service parts on following page.



**IMPORTANT: THIS IS DATED INFORMATION.** Parts must be ordered from a dealer or distributor. **Hearth and Home Technologies does not sell directly to consumers.** Provide model number and serial number when requesting service parts from your dealer or distributor.



**Stocked at Depot**

ITEM	DESCRIPTION	COMMENTS	PART NUMBER	
15.1	Pilot Shield		4055-889	
15.2	Pilot Assembly NG		SRV2090-012	Y
	Pilot Assembly LP		2090-013	Y
15.3	Pilot Gasket		4021-042	
15.4	Air Shutter Assembly		SRV4055-202	Y
15.5	Valve Bracket		4055-205	
15.6	Flex Ball Valve Assembly		SRV302-320	Y
15.7	Valve NG		SRV2166-302	Y
	Valve LP		2166-303	Y
15.8	Male Connector	Pkg of 5	303-315/5	Y
15.9	Transformer, 6 Volt Wall		SRV2326-131	Y
15.10	Wire Harness		2166-304	Y
15.11	Gasket, Bulkhead		4021-429	
15.12	Bulkhead W/Flex Tube		4021-512	Y
16	Ignition Control Assembly		SRV4055-964	Y
16.1	Control Module		2166-347	Y
16.2	Control Plate		4055-899	
16.3	AuxRC200		2166-325	Y
16.4	**Battery Pack		SRV2166-323	Y
	Orifice NG (#39C)		582-839	Y
	Orifice LP (#1.55mm)		582-8155	Y
	Conversion Kit NG		DCKVN-NNXT	Y
	Conversion Kit LP		DCKVP-NNXT	Y
	Pilot Orifice NG		SRV593-528	Y
	Pilot Orifice LP		SRV593-527	Y
	Regulator NG		NGK-DXV-50	Y
	Regulator LP		SRVLPK-DXV-50	Y

\*\*Fuse for battery pack can be sourced locally, not a warranty item. Specs are 250v, 1A fuse, 3/4" long