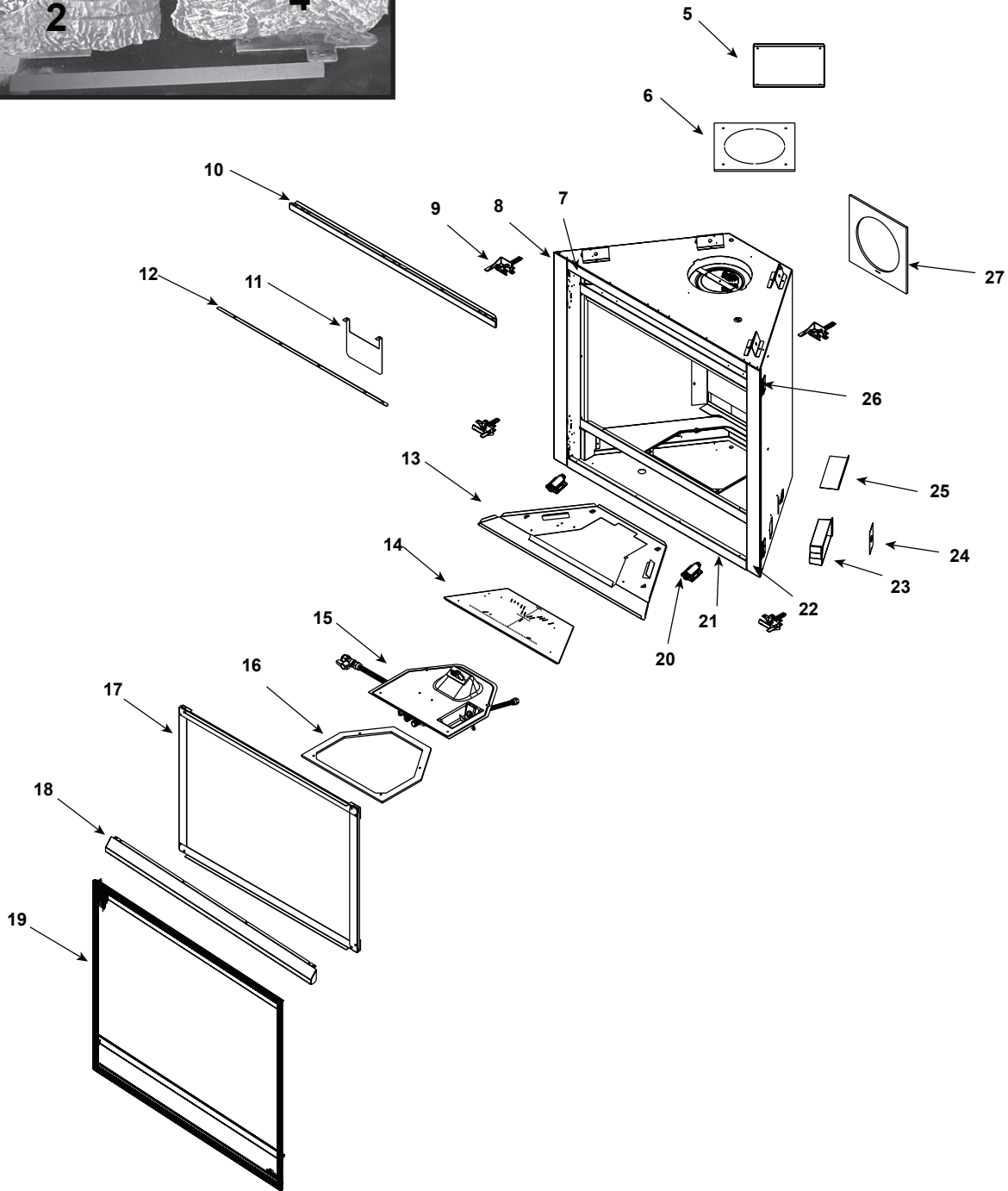
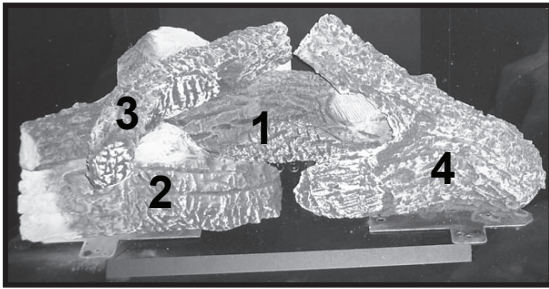


Log Set Assembly



Part number list on following page.

IMPORTANT: THIS IS DATED INFORMATION. Parts must be ordered from a dealer or distributor. **Hearth and Home Technologies does not sell directly to consumers.** Provide model number and serial number when requesting service parts from your dealer or distributor.

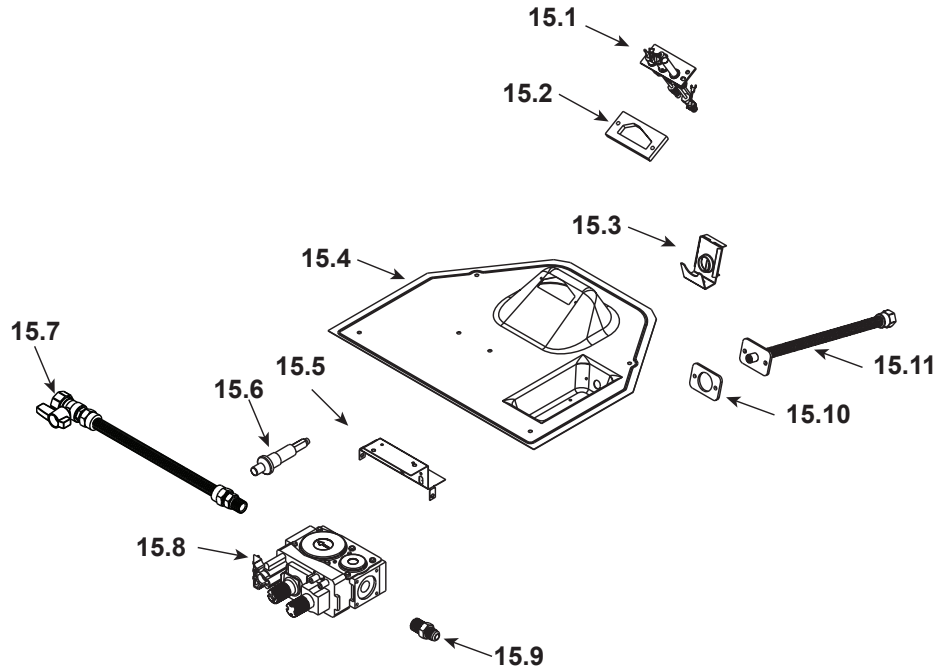


Stocked
at Depot

ITEM	DESCRIPTION	COMMENTS	PART NUMBER	
	Log Set Assembly		SRV4055-077	Y
1	Log 1 (Back Log)		SRV4055-080	
2	Log 2 (Left Log)		SRV4055-084	
3	Log 3 (Top Log)		SRV4055-083	
4	Log 4 (Right Log)		SRV4055-087	
5	Intake Cover Plate	No longer available	25844	
		Post 0023663727	2166-450	
6	Intake Cover Gasket		4031-239	
7	Not replaceable must order overlay (CUST4018-001)		4055-194	
8			4055-133	
9	Glass Latch Assembly	Pkg of 2	33858/2	Y
10	Dry Wall Lip		4031-205	
11	Flue Visor		4031-119	
12	Glass Shield		4031-217	
13	Hearth Pan		4055-109	
14	Burner Assembly		4055-046	Y
15	Valve Assembly		Refer to valve page	
16	Gasket, Valve Plate		4055-135	
17	Glass Frame Assembly		GLA4031-539	Y
18	Hood		4055-213	
19	Screen Assembly		SIM-3630	Y
20	Magnetic Touch Latch	Qty 2 req	4021-650	Y
21	Not replaceable must order overlay (CUST4018-001)		4055-194	
22			4055-133	
23	Junction box		SRV4021-013	Y
24	Cover Plate		SRV4031-222	
25	Shield Junction Box		4031-193	
26	Nailing Flange	Qty 4 req	SRV4044-161	
27	Back Gasket		SRV4000-225	
	Cord Clip	No longer available	14218	
	Firebox Overlay Kit		OVERLAY-NDV3630	
	Touch-up Paint, Interior		SRV4021-110	
	Touch-up Paint, Exterior	GA Serial #s	71479	
		002 Serial #s	TUP-GBK-12	
	Lava Rock Bag Assembly		SRV4040-094	
	Lava Rock, 3 Lbs		4021-297	
	Mineral Wool		SRV14333	
	Vermiculite		28746	
	Thumb Screws	Pkg of 25	4021-558/25	Y

Additional service part numbers appear on following page.

#15 Valve Assembly



IMPORTANT: THIS IS DATED INFORMATION. Parts must be ordered from a dealer or distributor. **Hearth and Home Technologies does not sell directly to consumers.** Provide model number and serial number when requesting service parts from your dealer or distributor.



Stocked at Depot

ITEM	DESCRIPTION	COMMENTS	PART NUMBER	
15.1	Pilot Assembly NG		2103-010	Y
	Pilot Assembly LP		2103-011	Y
15.2	Gasket, Pilot		4021-042	
15.3	Air Shutter Assembly		SRV4055-202	Y
15.4	Seal Plate		2382-584	
15.5	Bracket, Valve		4055-205	
15.6	Piezo Ignitor		291-513	Y
15.7	Flex Ball Valve Assembly		SRV302-320	Y
	Valve NG		SRV230-0710	Y
15.8	Valve LP		SRV230-0720	Y
	Brass Fitting	Pkg of 5	303-315/5	Y
15.9	Gasket, Bulkhead		4021-429	
15.10	Bulkhead, Flexible		4021-512	Y
	Wire Assembly, Wall Switch		2045-024	Y
	Orifice NG (.083)		4021-435	Y
	Orifice LP (.053)		4021-426	Y
	Conversion Kit NG		SCKVN-B	Y
	Conversion Kit LP	No Longer Available	SCKVP-B	
	Pilot Orifice NG		SRV2103-116	Y
	Pilot Orifice LP		SRV2103-117	Y
	Regulator NG		SRV230-1570	Y
	Regulator LP		SRV230-1520	Y