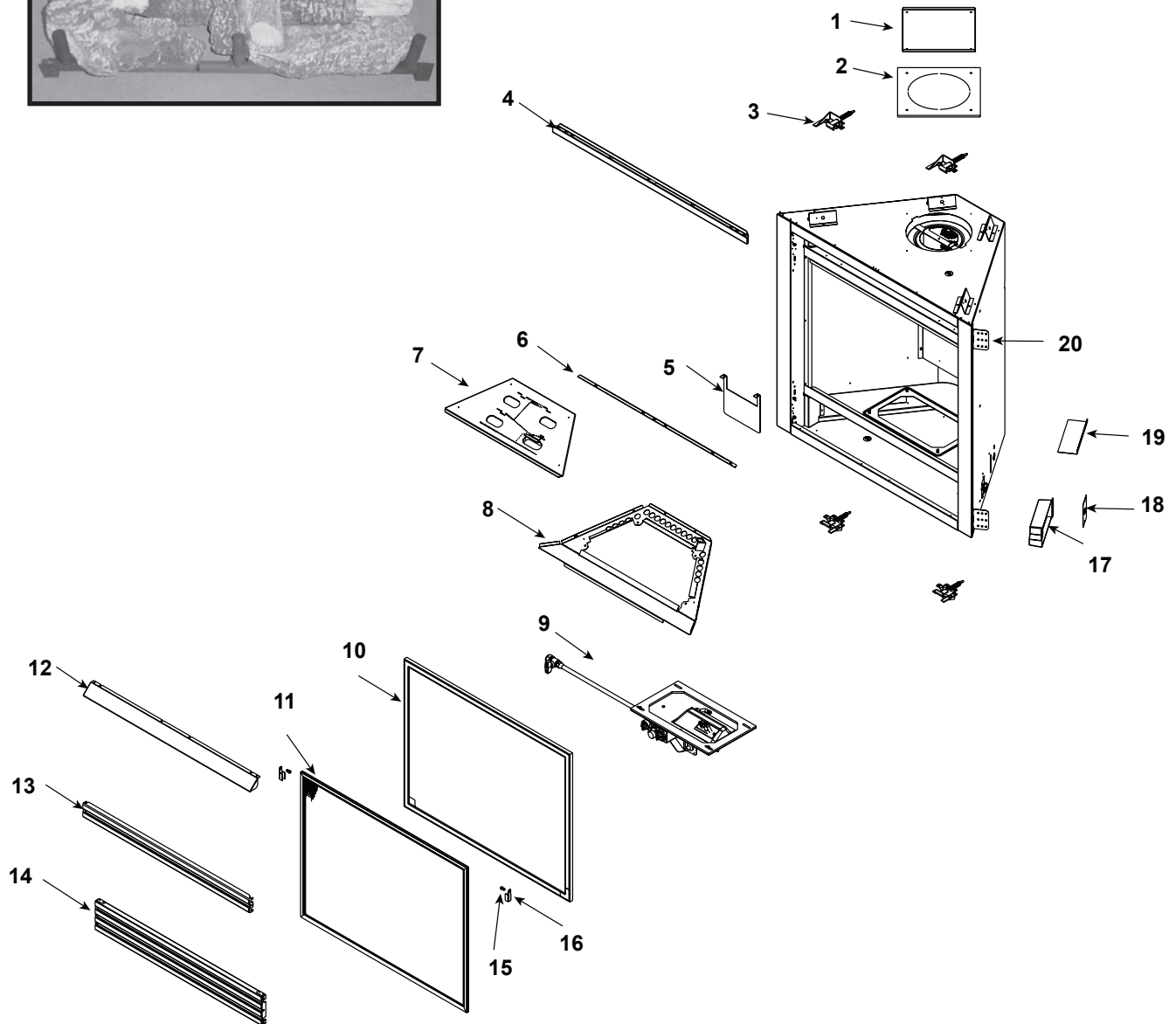


Log Set Assembly



Part number list on following page.

IMPORTANT: THIS IS DATED INFORMATION. Parts must be ordered from a dealer or distributor. **Hearth and Home Technologies does not sell directly to consumers.** Provide model number and serial number when requesting service parts from your dealer or distributor.

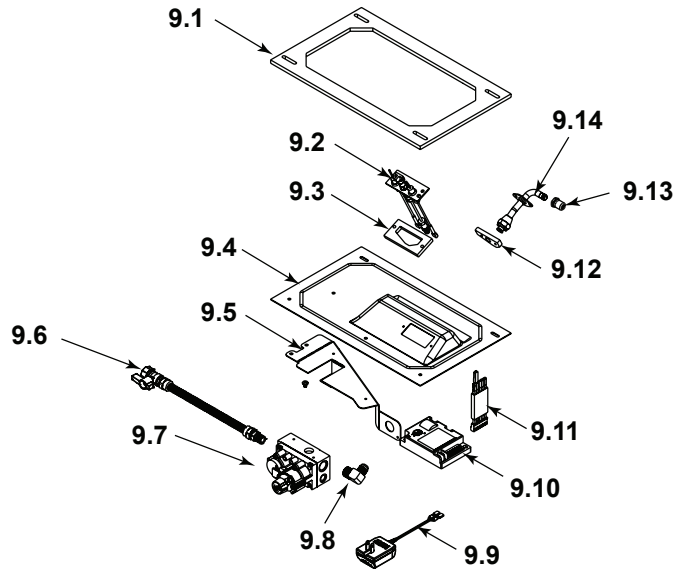


**Stocked
at Depot**

ITEM	DESCRIPTION	COMMENTS	PART NUMBER	
	Log/Grate Assembly	Pre 45/03	4031-049	Y
	30/33 in. Front Log	No longer available, Must order complete assembly	SRV4031-266	
	30 in. Middle Log		SRV4031-267	
	30 in. Back Log		SRV4031-268	
	30/33 in. Top Log		SRV4031-269	
	Log/Grate Assembly	Post 45/03	4031-084	Y
	30/33 in. Right Front Log	No longer available, Must order complete assembly	SRV4031-501	
	30 in. Middle Log		SRV4031-502	
	30 in. Back Log		SRV4031-504	
	30/33 in. Left Front Log		SRV4031-500	
1	Intake Cover Plate	No longer available	25844	
2	Intake Cover Gasket		4031-239	
3	Glass Latch Assembly	Pkg of 2	33858/2	Y
4	30 in. Drywall Lip		4031-205	
5	Flue Visor		4031-119	
6	30 in. Glass Shield		4031-217	
7	Burner Assembly		4031-059	Y
8	Hearth Pan	No longer available	4031-198	
9	Valve Assembly		Refer to valve page	
10	Glass Frame Assembly		GLA4031-539	Y
11	Screen Assembly	No longer available	26802	
12	30 in. Hood	No longer available	4031-209	
13	Upper Grille Assembly		4031-080	
14	Lower Grille Assembly		4031-076	
15	Shoulder Screw	Pkg of 25	501-836-25	Y
16	Screen Bracket	No longer available	SRV28159	
17	Junction Box (plastic)		SRV4021-013	Y
18	Cover Plate		SRV4031-222	
19	Junction Box Radiation Shield		4031-193	
20	Nailing Flange	Qty 4 req	SRV31190	
	Inner Firebox Overlay	No longer available	4006-009	
	Wool, Rock, Vermiculite		4040-094	
	Lava Rock		4021-296	
	Mineral Wool		SRV14333	
	Vermiculite		28746	
	Conversion Kit NG		DCKVN	Y
	Conversion Kit LP		DCKVP	Y
	Installation Instructions & Owner's Manual	No longer available	4031-550	

Additional service parts on following page.

#9 Valve Assembly



IMPORTANT: THIS IS DATED INFORMATION. Parts must be ordered from a dealer or distributor. **Hearth and Home Technologies does not sell directly to consumers.** Provide model number and serial number when requesting service parts from your dealer or distributor.



Stocked at Depot

ITEM	DESCRIPTION	COMMENTS	PART NUMBER	
9.1	Valve Plate Gasket		4031-149	
9.2	Pilot Assembly NG		4021-422	Y
	Pilot Assembly LP		4021-423	Y
9.3	Pilot Gasket		4021-042	
9.4	Valve Plate		SRV4031-146	
9.5	Valve Bracket	Pre GA1587914	4031-506	
		Post GA1587914	4031-507	
9.6	Flex Ball Valve Assembly		SRV302-320	Y
9.7	Variable Dexen Valve NG		750-500	Y
	Variable Dexen Valve LP		750-501	Y
9.8	Brass Connector - 90 Flex		SRV4021-045	
9.9	3V Adapter Plug		SRV593-593	Y
9.10	Control Module		SRV593-592	Y
9.11	Wire Assembly		SRV593-590	Y
9.12	Bulkhead Gasket	No longer available	4021-043	
9.13	Threaded Orifice (.083) - NG		4031-161	Y
	Threaded Orifice (.052) - LP		4031-163	Y
9.14	Bulkhead	No longer available	4031-192	
		No longer available	4031-547	
	24 in. Replacement Pilot Tube Assy		SRV4021-193	Y
	Battery Pack		SRV593-594	Y
	Wall Switch Wire Assembly		SRV2118-170	Y
	Touch-up Paint, Interior		SRV4021-110	
	Touch-up Paint, Exterior	GA Serial #s	71479	
		002 Serial #s	Tup-GBK-12	