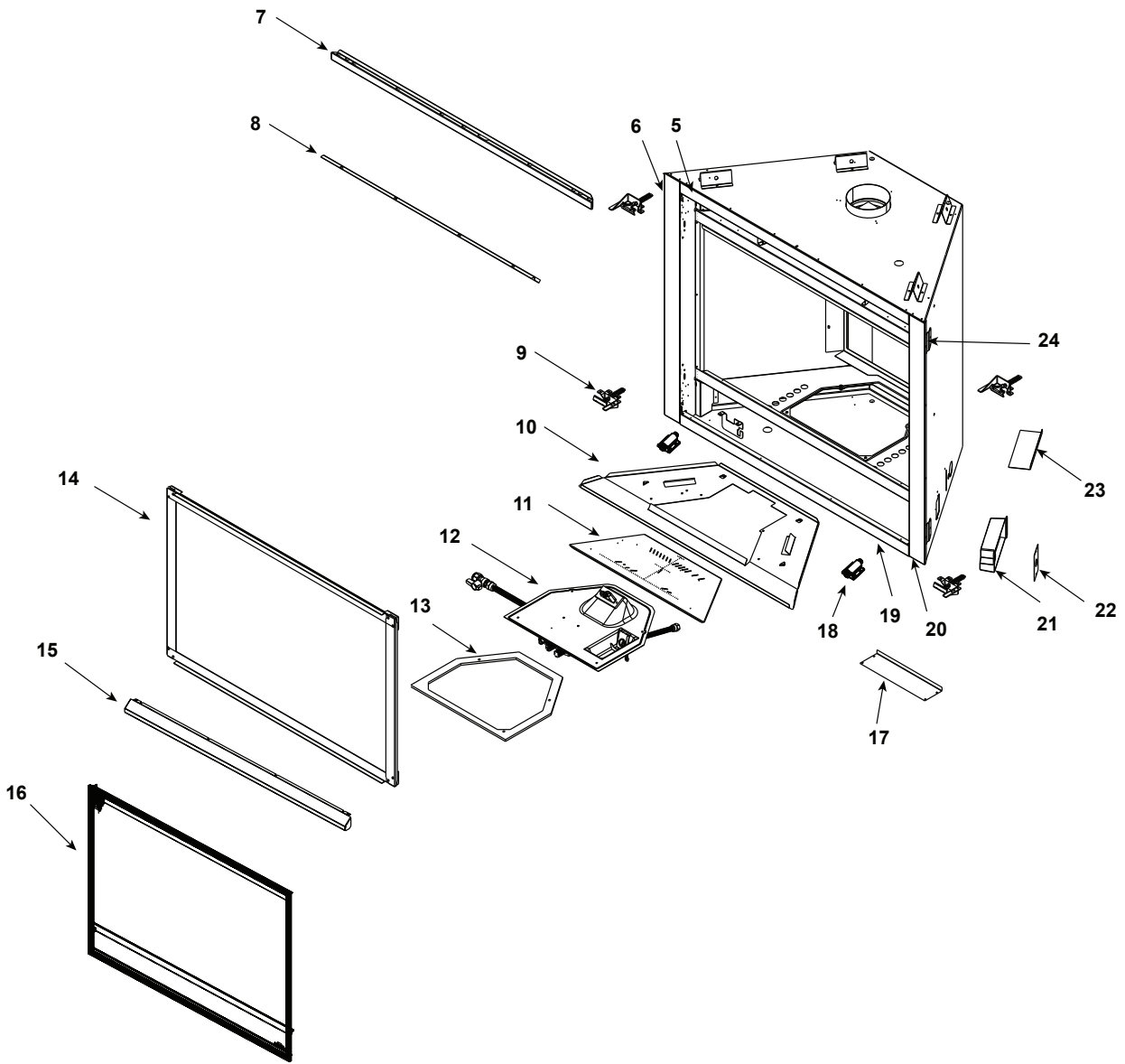
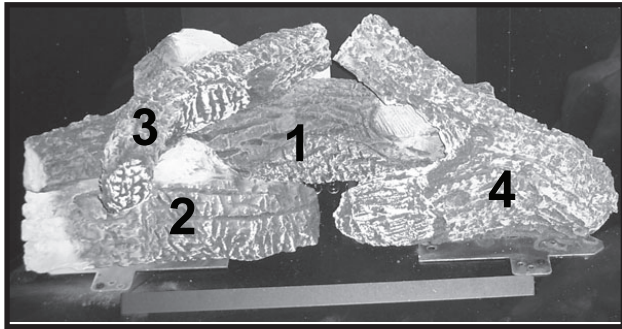


### Log Set Assembly



Part number list on following page.

IMPORTANT: THIS IS DATED INFORMATION. Parts must be ordered from a dealer or distributor. **Hearth and Home Technologies does not sell directly to consumers.** Provide model number and serial number when requesting service parts from your dealer or distributor.

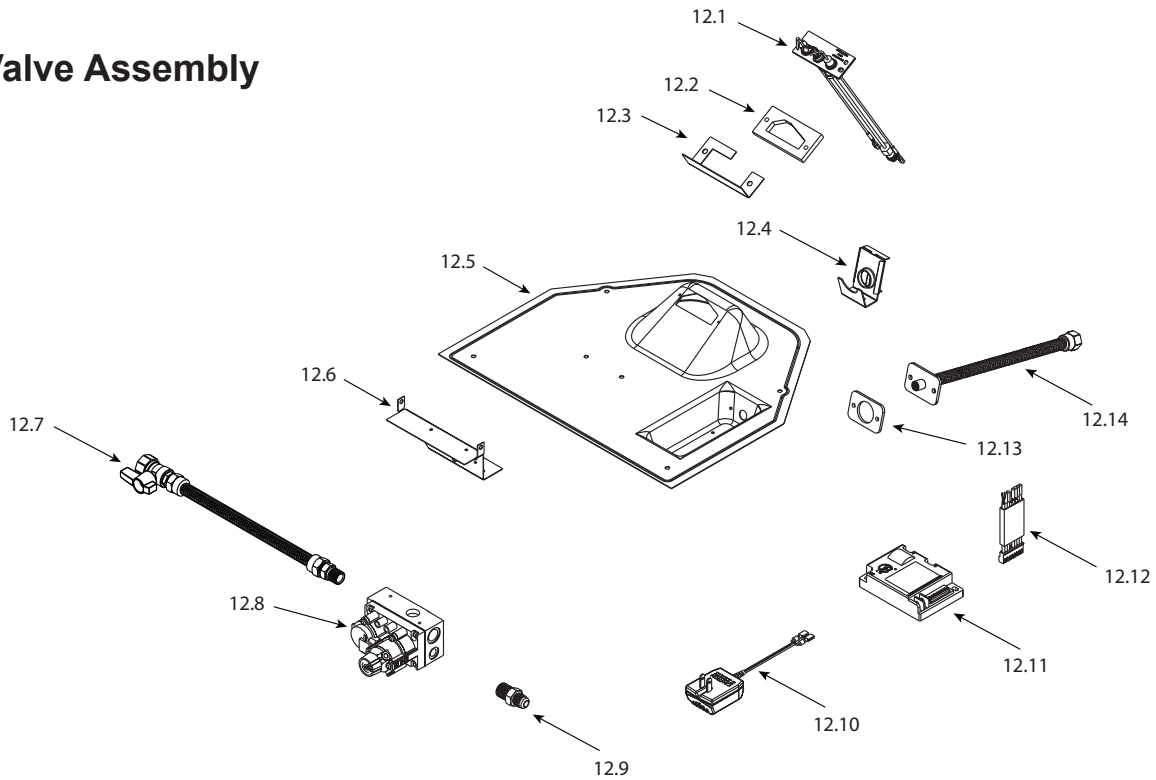


**Stocked  
at Depot**

ITEM	DESCRIPTION	COMMENTS	PART NUMBER	
	<b>Log Set Assembly</b>		SRV4055-077	<b>Y</b>
1	Log 1 (Back Log)		SRV4055-080	
2	Log 2 (Left Log )		SRV4055-084	
3	Log 3 (Top Log)		SRV4055-083	
4	Log 4 (Right Log)		SRV4055-087	
5	Not replaceable must order overlay (CUST4018-001)		4055-194	
6			4055-133	
7	Dry Wall Lip		4031-205	
8	Glass Shield		4031-217	
9	Glass Latch Assembly	Pkg of 2	33858/2	<b>Y</b>
10	Hearth Pan		4055-109	
11	Burner Assembly		4055-046	<b>Y</b>
12	Valve Assembly		<b>Refer to valve page</b>	
13	Gasket, Valve Plate		4055-135	
14	Glass Frame Assembly		GLA4031-539	<b>Y</b>
15	Hood		4055-213	
16	Screen Assembly		SIM-3630	<b>Y</b>
17	Fan Shield		4031-289	
18	Magnetic Touch Latch	Qty 2 req	4021-650	<b>Y</b>
19	Not replaceable must order overlay (CUST4018-001)		4055-194	
20			4055-133	
21	Junction box		SRV4021-013	<b>Y</b>
22	Cover Plate		4031-222	
23	Shield Junction Box		4031-193	
24	Nailing Flange	Qty 4 req	SRV4044-161	
	Cord Clip	<b>No Longer Available</b>	14218	
	High Limit Switch		SRV4021-383	<b>Y</b>
	Thumb Screws	Pkg of 25	4021-558/25	<b>Y</b>
	Firebox Overlay Kit		<b>OVERLAY-NBV3630</b>	
	Conversion Kit NG		DCKVN-Novus	<b>Y</b>
	Conversion Kit LP		DCKVP-Novus	<b>Y</b>
	Pilot Orifice NG		SRV593-528	<b>Y</b>
	Pilot Orifice LP		SRV593-527	<b>Y</b>
	Regulator NG		SRVNGK-DXV	<b>Y</b>
	Regulator LP		SRVLPK-DXV	<b>Y</b>

Additional service part numbers appear on following page.

**#12 Valve Assembly**



IMPORTANT: THIS IS DATED INFORMATION. Parts must be ordered from a dealer or distributor. **Hearth and Home Technologies does not sell directly to consumers.** Provide model number and serial number when requesting service parts from your dealer or distributor.



**Stocked at Depot**

ITEM	DESCRIPTION	COMMENTS	PART NUMBER	
12.1	Pilot Assembly NG		SRV2090-012	Y
	Pilot Assembly LP		2090-013	Y
12.2	Gasket, Pilot Assembly		4021-042	
12.3	Pilot Bracket		4065-182	
12.4	Air Shutter Assembly		SRV4055-202	Y
12.5	Seal Plate		2382-584	
12.6	Valve Bracket		4055-205	
12.7	Flex Ball Valve Assembly		SRV302-320	Y
12.8	Valve NG		750-500	Y
	Valve LP		750-501	Y
12.9	Brass Fitting	Pkg of 5	303-315/5	Y
12.10	3 Volt Transformer		SRV593-593	Y
12.11	Module		SRV593-592	Y
12.12	Module Wire Assembly		SRV593-590	Y
12.13	Gasket, Bulkhead		4021-429	
12.14	Bulkhead, Flexible		4021-512	Y
	Battery Pack		SRV593-594	Y
	Wire Assembly , Wall Switch		SRV2118-170	Y
	Orifice NG (.083)		4021-435	Y
	Orifice LP (# 52C)		4021-426	Y