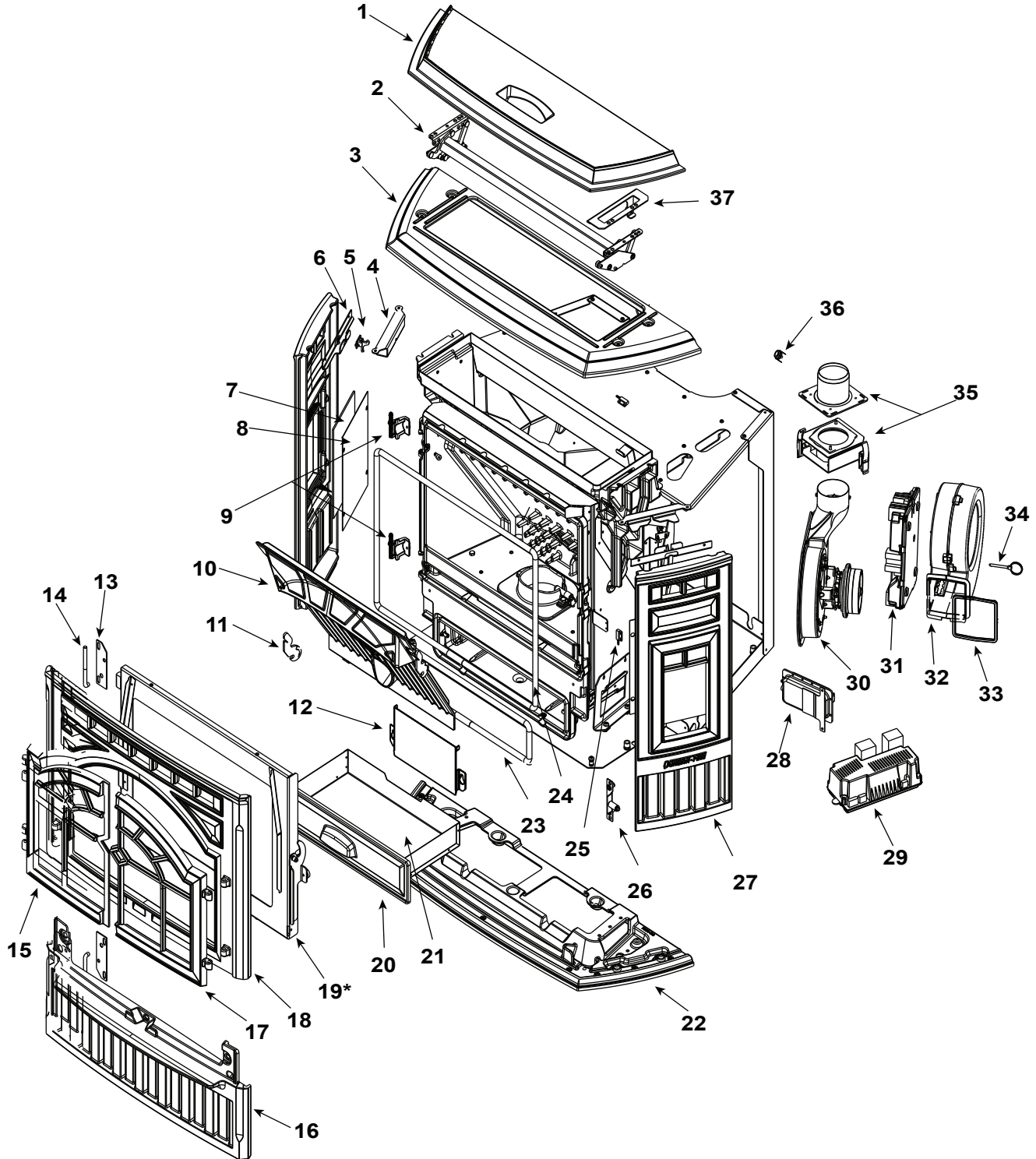


Advanced Energy Pellet Insert
Last Serial #HF1910588

Beginning Manufacturing Date: Sept. 2006
Ending Manufacturing Date: May 2019

MTVERNINSAE-CSB(Ending Manufacturing Date: May 2019)
MTVERNINSAE-PMH (Ending Manufacturing Date: May 2019)

MTVERNINSAE-MBK(Ending Manufacturing Date: May 2019)
MTVERNINSAE-CWL (Ending Manufacturing Date: June 2011)



Part number list on following pages.

IMPORTANT: THIS IS DATED INFORMATION. Parts must be ordered from a dealer or distributor. **Hearth and Home Technologies does not sell directly to consumers.** Provide model number and serial number when requesting service parts from your dealer or distributor.



**Stocked
at Depot**

| ITEM | DESCRIPTION | COMMENTS | PART NUMBER | |
|------|---|----------------------------|----------------|---|
| 1 | Hopper Lid | Matte Black | 7036-107MBK | |
| | | Sienna Bronze | 7036-107CSB | |
| | | No longer available | 7036-107CWL | |
| | | Mahogany | 7036-107PMH | |
| 2 | Top Hinge Assembly | | SRV7036-006 | |
| 3 | Top | Matte Black | 7036-101MBK | |
| | | Sienna Bronze | 7036-101CSB | |
| | | No longer available | 7036-101CWL | |
| | | Mahogany | 7036-101PMH | |
| | Gasket, Extruded - Field Cut to Size | 10 Ft | 7000-320/10 | |
| 4 | Catch Clip | | SRV7036-146 | |
| 5 | Elbow Catch | | 7000-393 | |
| 6 | Bracket, Catch | | SRV7036-145 | |
| 7 | Glass Assembly, Side, 1 Piece - 5-7/8 in. W x 9 in. H | Interchangeable | SRV414-5380 | Y |
| | Gasket, Channel 3 Mm X 32 - Field Cut to Size | 10 Ft | 7000-377/10 | Y |
| | Speed Nut 5/16 | Pkg of 100 | 3-31-94807-100 | Y |
| 8 | Backer, Side Window | | SRV414-0280 | |
| 9 | Hinge Male | | SRV7034-138 | |
| 10 | Baffle | | SRV7034-263 | Y |
| 11 | Latch, Baffle | | SRV7034-149 | |
| 12 | Intake Shield | | SRV7034-224 | Y |
| 13 | Hinge Pin Retainer | | SRV7036-112 | |
| 14 | Pin, Hinge | | SRV7036-110 | |
| 15 | Door Left | Matte Black | 7005-110MBK | |
| | | Sienna Bronze | 7005-110CSB | |
| | | No longer available | 7005-110CWL | |
| | | Mahogany | 7005-110PMH | |
| 16 | Front Lower | Matte Black | 7036-122MBK | |
| | | Sienna Bronze | 7036-122CSB | |
| | | No longer available | 7036-122CWL | |
| | | Mahogany | 7036-122PMH | |
| 17 | Door Right | Matte Black | 7005-109MBK | |
| | | Sienna Bronze | 7005-109CSB | |
| | | No longer available | 7005-109CWL | |
| | | Mahogany | 7005-109PMH | |
| 18 | Front Upper | Matte Black | 7036-105MBK | |
| | | Sienna Bronze | 7036-105CSB | |
| | | No longer available | 7036-105CWL | |
| | | Mahogany | 7036-105PMH | |

Additional service part numbers appear on following page.

IMPORTANT: THIS IS DATED INFORMATION. Parts must be ordered from a dealer or distributor. **Hearth and Home Technologies does not sell directly to consumers.** Provide model number and serial number when requesting service parts from your dealer or distributor.



**Stocked
at Depot**

| ITEM | DESCRIPTION | COMMENTS | PART NUMBER | |
|--------------------------|---|----------------------------|-------------|---|
| #19 Door Assembly | | | | |
| | | | | |
| 19 | Door Assembly | | 7034-006 | |
| 19.1 | Hinge, Female | | SRV450-2910 | |
| 19.2 | Door Air Deflector | | 7034-185 | |
| 19.3 | Magnet Bracket Assembly | | 7034-008 | |
| | Magnet Round | | SRV7000-140 | Y |
| 19.4 | Door Frame Assembly | | 7034-026 | |
| 19.5 | Door Latch Assembly | | 7034-039 | |
| 19.6 | Glass Assembly | 21" W x 14" H | SRV7034-007 | Y |
| | Gasket, Channel 3 Mm X 32 - Field Cut to Size | 10 Ft | 7000-377/10 | Y |
| | Tape, Door Corner - - Field Cut to Size | 1 Ft | SRV7027-227 | Y |
| 19.7 | Glass Retainer | | SRV7034-136 | |
| 20 | Ash Pan Door | | SRV7034-133 | |
| 21 | Ash Pan Assembly | | SRV7034-069 | |
| | Roller Catch | Pre SN 00700204651 | SRV7000-494 | Y |
| | Twin Ball catch | Post SN 00700204651 | SRV7000-532 | Y |
| 22 | Bottom | Matte Black | 7036-109MBK | |
| | | Sienna Bronze | 7036-109CSB | |
| | | No longer available | 7036-109CWL | |
| | | Mahogany | 7036-109PMH | |
| 23 | Gasket, Rope, Ash Door | | SRV7034-178 | Y |
| 24 | Gasket, Door Rope | | SRV7034-177 | Y |
| 25 | Magnetic Switch | | SRV7000-375 | Y |
| 26 | Latch Bracket Assembly | | SRV7034-049 | Y |
| 27 | Side | Matte Black | 7036-103MBK | |
| | | Sienna Bronze | 7036-103CSB | |
| | | No longer available | 7036-103CWL | |
| | | Mahogany | 7036-103PMH | |
| 28 | Vacuum Switch | | SRV7000-531 | Y |

Additional service part numbers appear on following page.

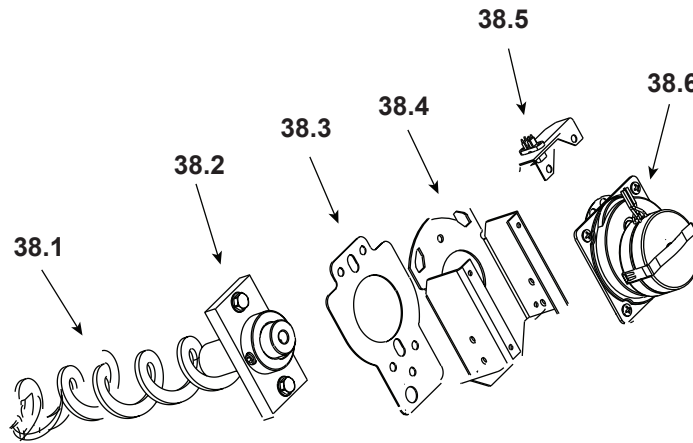
IMPORTANT: THIS IS DATED INFORMATION. Parts must be ordered from a dealer or distributor. **Hearth and Home Technologies does not sell directly to consumers.** Provide model number and serial number when requesting service parts from your dealer or distributor.



Stocked at Depot

| ITEM | DESCRIPTION | COMMENTS | PART NUMBER | |
|------|---|--------------------|----------------|---|
| 29 | Power Supply Assembly | | SRV7000-443 | Y |
| | Fuse 5A Slow IEC Glass | Pkg of 10 | 7000-490/10 | Y |
| 30 | Combustion Motor, Fan (No Housing, Gasket not Included) | | SRV7000-588M | Y |
| | Gasket, Blower, Combustion (between...) | ...Housing & Stove | SRV7000-332 | Y |
| | Gasket, Motor, Blower, Combustion (between...) | ...Housing & Motor | SRV7000-714 | Y |
| | | Pkg of 10 | SRV7000-714/10 | Y |
| 31 | Control Board Assembly | | SRV7000-456 | Y |
| | Fuse 15A Slow IEC Glass | Pkg of 10 | 7000-491/10 | Y |
| 32 | Convection Blower | | SRV7000-260 | Y |
| 33 | Gasket, Blower, Convection | | SRV7000-329 | |
| 34 | Detent Pin | Pre 00700201366 | 7000-376 | |
| | | Post 00700201366 | 7000-393 | |
| 35 | Exhaust Transition & Flue Assembly | | SRV7036-029 | |
| | Gasket, Flue Adapter | | SRV240-0850 | Y |
| | Latch, Draw | | 229-0230 | |
| 36 | Snap Disc, Manual Reset | | SRV230-1290 | Y |
| 37 | Bracket, Hopper Magnet | | SRV7036-149 | |

#38 Feed Assembly

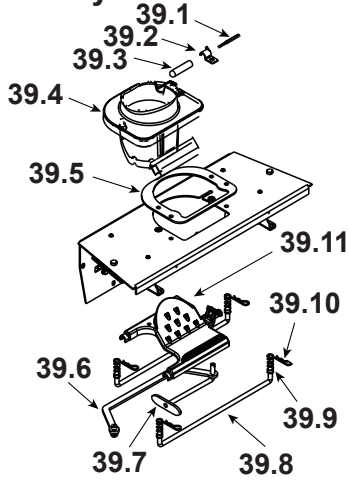
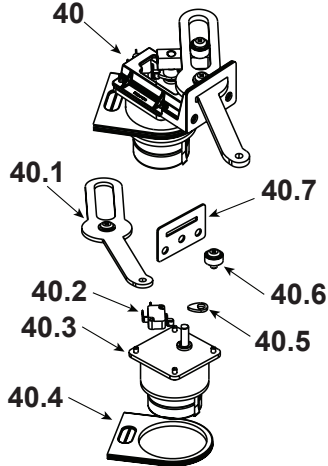


| | | | | |
|------|-----------------------------|--|-------------|---|
| 38 | Feed Assembly | | SRV7034-004 | Y |
| 38.1 | Feed Spring Assembly (Only) | | SRV7001-046 | Y |
| 38.2 | Bearing, Feed System, Nylon | | SRV7000-598 | Y |
| 38.3 | Gasket, Feed Motor | | SRV7034-144 | |
| 38.4 | Bracket, Motor, Feed | | 7034-143 | |
| 38.5 | Optical Switch Assembly | | SRV7034-038 | Y |
| 38.6 | Feed Motor DC | | SRV7000-313 | Y |
| | Collar, Set, 7/8 | | 229-0520 | |

Additional service part numbers appear on following page.

IMPORTANT: THIS IS DATED INFORMATION. Parts must be ordered from a dealer or distributor. **Hearth and Home Technologies does not sell directly to consumers.** Provide model number and serial number when requesting service parts from your dealer or distributor.

**Stocked
at Depot**

| ITEM | DESCRIPTION | COMMENTS | PART NUMBER | |
|---|---|--|----------------|---|
|  | |  | | |
| 39 | Firepot Riser Assembly | | SRV7034-002 | |
| 39.1 | Thermocouple, K | | SRV7034-247 | Y |
| 39.2 | Half Clip | | 7000-321 | |
| 39.3 | Thermocouple Protection Tube | | SRV7034-186 | Y |
| | | Pkg of 10 | SRV7034-186/10 | |
| 39.4 | Firepot Assembly | | SRV7034-072B | Y |
| 39.5 | Gasket, Firepot | | SRV7034-190 | Y |
| 39.6 | Auto-Clean Link Arm | | 7034-176 | Y |
| 39.7 | Plow Weldment, Auto-Clean | | SRV7034-024 | Y |
| 39.8 | Rail, Auto-Clean | | SRV7034-152 | Y |
| 39.9 | Spring | Pkg of 4 | 7000-513/4 | Y |
| 39.10 | Hitch Pin Clip 3/32 | Pkg of 10 | 7000-374/10 | Y |
| 39.11 | Firepot Bottom | | SRV7034-153 | Y |
| | Auto-Clean Bottom Assembly (Includes Auto Clean Plow Weldment, Link Arm, Firepot Bottom & Hitch Pin Clip) | | 7034-021 | Y |
| | Firepot Riser Clamp Assembly (Includes Clamp and Hex Nut) | | 7034-012 | |
| 40 | Auto-Clean Motor/Arm Assembly | | SRV7034-020 | Y |
| 40.1 | Auto-Clean Lever | | 7034-158 | Y |
| 40.2 | Micro Switch No | | SRV7000-327 | Y |
| 40.3 | Gear Motor 12V | | SRV7000-502 | |
| 40.4 | Grommet, Motor, Auto-Clean | | 7034-188 | Y |
| 40.5 | Cam, Switch, Auto-Clean | | SRV7034-187 | Y |
| 40.6 | Bearing | | 7000-333 | Y |
| 40.7 | Gasket, Auto-Clean | | SRV7034-165 | Y |

Additional service part numbers appear on following page.

IMPORTANT: THIS IS DATED INFORMATION. Parts must be ordered from a dealer or distributor. **Hearth and Home Technologies does not sell directly to consumers.** Provide model number and serial number when requesting service parts from your dealer or distributor.



**Stocked
at Depot**

| ITEM | DESCRIPTION | COMMENTS | PART NUMBER | |
|------|---|--------------------------|----------------|---|
| | Adaptor, | | TPVNT-4 | |
| | Bracket, Control Board | | 7034-212 | |
| | Bracket, Door Switch | | 7034-215 | |
| | Bracket, Hopper Switch | | 7082-148 | |
| | Bracket, Snap Disc | | 7034-150 | |
| | Bracket, Vacuum Switch | | 7034-211 | |
| | Component Pack: | No longer available | SRV7036-018 | |
| | | No longer available | SRV7036-019 | |
| | | No longer available | 7036-020 | |
| | | No longer available | SRV7036-021 | |
| | Cleanout Tool | | SRV414-1140 | Y |
| | Paint Touch-Up | Pre #HF1910001 | 812-0910 | |
| | | Post #HF1910001 | 3-42-19905 | |
| | | Sienna Bronze | TOUCHUP-CSB | |
| | | No longer available | TOUCHUP-CWL | |
| | | Mahogany | 1-00-0014 | |
| | Power Cord | | 3-20-51578 | Y |
| | Thermostat Wire 3 Cond | | SRV7000-409 | Y |
| | Wall Control | | SRV7000-549 | Y |
| | Face Plate | | 7034-124 | |
| | Fuel Level Sensor | | SRV7000-523 | Y |
| | Gasket, Exhaust | | SRV7034-109 | |
| | Gasket, Extruded - Field Cut to Size | 10 Ft | 7000-320/10 | |
| | Gasket, Extruded Edge - Field Cut to Size | 10 Ft | 7000-319/10 | |
| | Heating Element Assembly 18" (Loop Igniter), 380 Watt | | SRV7000-462 | Y |
| | | Pkg of 10 | SRV7000-462/10 | Y |
| | Heating Element Assembly 18", 120 VAC, 300 Watt, (Wood Pellet Fuel Only) | | SRV7000-647 | Y |
| | | Pkg of 10 | SRV7000-647/10 | Y |
| | Washer, 1/4 Sae | Pkg of 24 | 28758/24 | Y |
| | Wing Thumb Screw 8-32 X 1/2 | Pkg of 24 | 7000-223/24 | Y |
| | Hinge Pin, Gold | Pkg of 2 | 844-5750 | Y |
| | Paint, 12 oz Can | Sienna Bronze / Espresso | PAINT1-CSB/CES | |
| | | Willow / Tuscan Olive | PAINT1-CWL/CTO | |
| | Thermocouple K. Ring Mount | Drop Tube | SRV7000-381 | Y |

Additional service part numbers appear on following page.

Beginning Manufacturing Date: Sept. 2006

Ending Manufacturing Date: May 2019

IMPORTANT: THIS IS DATED INFORMATION. Parts must be ordered from a dealer or distributor. **Hearth and Home Technologies does not sell directly to consumers.** Provide model number and serial number when requesting service parts from your dealer or distributor.



**Stocked
at Depot**

| ITEM | DESCRIPTION | COMMENTS | PART NUMBER | |
|------|--------------------------------------|------------|-------------|---|
| | Top Mount Left | | SRV7036-117 | Y |
| | Top Mount Right | | SRV7036-115 | Y |
| | Vacuum Hose - Field Cut to Size | 3 Ft. | SRV7000-373 | Y |
| | Wire Harness, AUG/AC/VAC | | SRV7034-191 | Y |
| | Wire Harness Battery Backup | | SRV7034-202 | Y |
| | Wire Harness Convection Blower | | SRV7034-219 | Y |
| | Wire Harness Door/Hopper | | SRV7034-192 | Y |
| | Wire Harness Ignitor | | SRV7034-273 | Y |
| | Wire Harness Power Out Ac | AC Current | SRV7034-220 | Y |
| | Wire Harness Power Out Dc | DC Current | SRV7034-221 | Y |
| | Wire Harness Power Supply Receptacle | | SRV7034-233 | Y |
| | Wire Harness Snap Disc | | SRV7034-193 | Y |
| | Wire Harness Thermostat | | SRV7034-200 | Y |
| | | | | |
| | | | | |
| | | | | |
| | | | | |
| | | | | |
| | | | | |
| | | | | |
| | | | | |
| | | | | |
| | | | | |
| | | | | |
| | | | | |
| | | | | |
| | | | | |
| | | | | |
| | | | | |
| | | | | |
| | | | | |
| | | | | |
| | | | | |
| | | | | |
| | | | | |
| | | | | |

Fasteners

| | | | | |
|--|--|-----------|---------------|---|
| | Avk Rivnut Repair Kit - 1/4-20 & 3/8-16 Rivnut Tools | | RIVNUT-REPAIR | Y |
| | Bolt, Shoulder, 5/16 X 1/4-20 | Pkg of 20 | 223-0170/20 | Y |
| | Hitch Pin Clip 3/32 | Pkg of 10 | 7000-374/10 | Y |
| | Nut, Ser Flange Small 1/4-20 | Pkg of 24 | 226-0130/24 | Y |
| | Screw, 1/4-20 X 3/8 Phillips Button Head | Pkg of 24 | 7000-401/24 | Y |
| | Screw 1/4-20 X 5/8 Phillips Pan Head | Pkg of 24 | 7000-398/24 | Y |
| | Screw, Pan Head Philips 8-32 X 3/8 | Pkg of 40 | 225-0500/40 | Y |
| | Screw, Flat Head Philips 8-32 X 1/2 | Pkg of 10 | 832-0860 | Y |
| | Screw, Sheet Metal #8 X 1/2 S-Grip | Pkg of 40 | 12460/40 | Y |
| | Washer, 1/4 Sae | Pkg of 24 | 28758/24 | Y |
| | Wing Thumb Screw 8-32 X 1/2 | Pkg of 24 | 7000-223/24 | Y |
| | Wire Clip | Pkg of 10 | 7000-400/10 | Y |

Additional service part numbers appear on following page.

IMPORTANT: THIS IS DATED INFORMATION. Parts must be ordered from a dealer or distributor. **Hearth and Home Technologies does not sell directly to consumers.** Provide model number and serial number when requesting service parts from your dealer or distributor.



**Stocked
at Depot**

| ITEM | DESCRIPTION | COMMENTS | PART NUMBER | |
|------|--|---------------------|--------------|---|
| | 12 Volt Power Cord | | 12VCORD-AE | Y |
| | Brackets for Trim Insulation | | SRV7022-503G | |
| | Damper, 3 Inch - Tall Vertical Installs Only | | PEL-DAMP3 | Y |
| | Damper, 4 Inch - Tall Vertical Installs Only | | PEL-DAMP4 | |
| | Firescreen | No Longer Available | SCR-7005 | |
| | Hearth Support | No Longer Available | ZCSPT-MVI | |
| | Log Set (2 Pc) | Sold as set only | LOGS-60-AE-B | Y |
| | Outside Air Kit | | OAK-3 | |
| | Surround, Std, Panel, For Cast Trim | | SP-MTVS-CST | |
| | Component Pack | | SRV7036-041 | |
| | Surround, Std, Panel, w/Gold Trim | No Longer Available | SP-MTVS-GD | |
| | Component Pack | | SRV7036-042 | |
| | Trim, Panel Set, Gold | No Longer Available | SRV250-4660 | |
| | Surround, Std, Panel w/Nickel Black Trim | | SP-MTVS-NB | |
| | Component Pack | | SRV7036-042 | |
| | Trim Set, Black Nickel | | 7019-027 | |
| | Trim Cast | Matte Black | 811-0930 | |
| | | Sienna Bronze | TR-CAST-CSB | |
| | | No longer available | TR-CAST-CWL | |
| | | Mahogany | 811-0960 | |
| | Footer, Left | Matte Black | 414-7090MBK | |
| | | Sienna Bronze | 414-7090CSB | |
| | | No longer available | 414-7090CWL | |
| | | Mahogany | 414-7090PMH | |
| | Footer, Right | Matte Black | 414-7100MBK | |
| | | Sienna Bronze | 414-7100CSB | |
| | | No longer available | 414-7100CWL | |
| | | Mahogany | 414-7100PMH | |
| | Header | Matte Black | 414-7110MBK | |
| | | Sienna Bronze | 414-7110CSB | |
| | | No longer available | 414-7110CWL | |
| | | Mahogany | 414-7110PMH | |
| | Trim Leg, Left | Matte Black | 414-7120MBK | |
| | | Sienna Bronze | 414-7120CSB | |
| | | No longer available | 414-7120CWL | |
| | | Mahogany | 414-7120PMH | |
| | Trim Leg, Right | Matte Black | 414-7130MBK | |
| | | Sienna Bronze | 414-7130CSB | |
| | | No longer available | 414-7130CWL | |
| | | Mahogany | 414-7130PMH | |