

Part number list on following page.

No one builds a better fire

Beginning Manufacturing Date: Aug 2019
Ending Manufacturing Date: Active

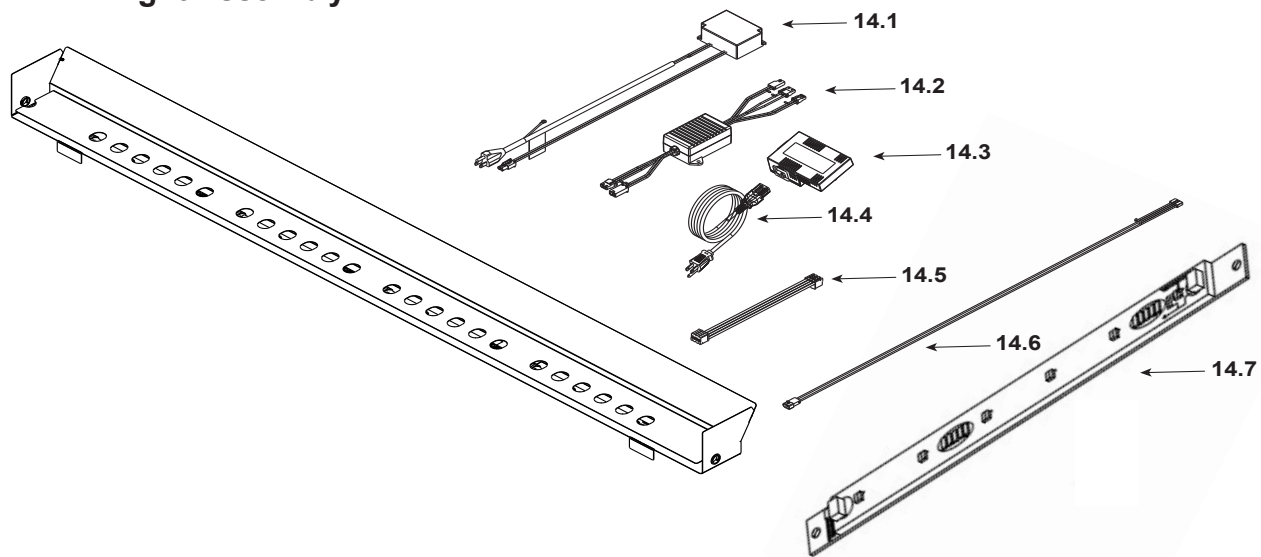
IMPORTANT: THIS IS DATED INFORMATION. Parts must be ordered from a dealer or distributor. **Hearth and Home Technologies does not sell directly to consumers.** Provide model number and serial number when requesting service parts from your dealer or distributor.



Stocked at Depot

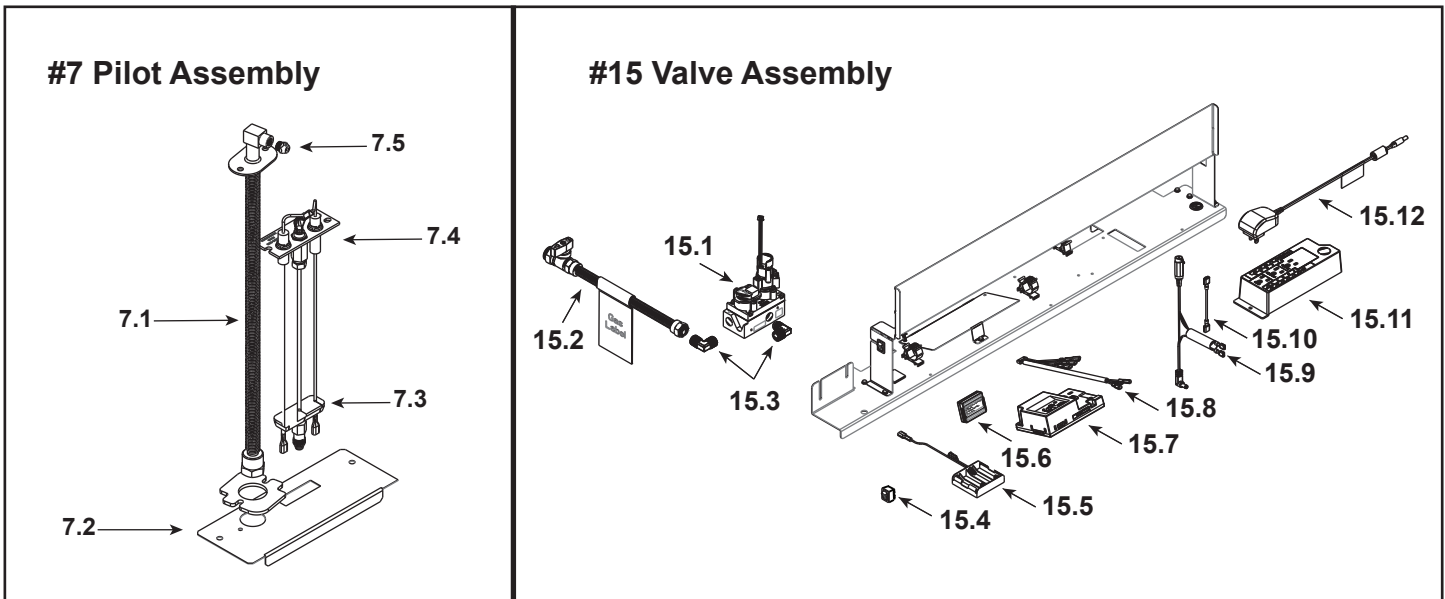
| ITEM | DESCRIPTION | COMMENTS | PART NUMBER | |
|------|--------------------------------------|-----------|---------------------------|--|
| 1 | Non-combustible Board, Top | | SRV2331-460 | |
| 2 | Standoff, Top | Qty 4 req | 2604-283 | |
| 3 | Side Trim | Qty 2 req | 2300-281 | |
| 4 | Non-combustible Board, Side Pkg of 2 | | 2300-461 | |
| 5 | Bottom Glass | | 2331-018 | |
| 6 | Burner | | 2331-007 | |
| 7 | Pilot Assembly | | See Following Page | |
| 8 | Shield, Pilot | | 2300-195 | |
| 9 | Glass Assembly | | GLA-72-HNG | |
| 10 | Shield, Bottom Glass | | 2331-179 | |
| 11 | Panel, Bottom | | 2331-147 | |
| 12 | Rock Tray | | 2331-151 | |
| 13 | Heat Shield | | 2606-150 | |

#14 LED Light Assembly



| | | | | |
|------|------------------------------|--|-------------|---|
| 14 | LED Light Assembly | | ALK-72-C | |
| 14.1 | Power Supply, LED 40W | | 2326-113 | Y |
| 14.2 | LED Dimmer | | 2326-112 | Y |
| 14.3 | Module, B Type AC | | 2326-150 | Y |
| 14.4 | Cable, B Type AC Module | | SRV2326-152 | Y |
| 14.5 | LED Lightbar Connection | | 2300-753 | Y |
| 14.6 | Cable, Linear LED | | 2300-754 | Y |
| 14.7 | LED Board and Strip Assembly | | SRV2300-062 | Y |

Additional service part numbers on following page.



IMPORTANT: THIS IS DATED INFORMATION. Parts must be ordered from a dealer or distributor. **Hearth and Home Technologies does not sell directly to consumers.** Provide model number and serial number when requesting service parts from your dealer or distributor.



Stocked at Depot

| ITEM | DESCRIPTION | COMMENTS | PART NUMBER | |
|-------|--------------------------|----------------------------------|-------------|---|
| 7.1 | Bulkhead w/Flex tube | | SRV2166-119 | Y |
| 7.2 | Plate, Flex and Pilot | | 2300-163 | |
| 7.3 | 3-Hole Grommet | | SRV2118-420 | |
| 7.4 | Pilot Assembly, NG | | 2406-012 | Y |
| | Pilot Assembly, Propane | Convert 2406-012 with SRV593-527 | | Y |
| 7.5 | Orifice, NG #23C | | 582-823 | Y |
| | Orifice, Propane #45C | | SRV582-845 | Y |
| 15.1 | Valve, NG | | SRV2166-302 | Y |
| | Valve, Propane | | 2166-303 | Y |
| 15.2 | Flex Ball Valve Assembly | | SRV2078-022 | Y |
| 15.3 | Elbow | Qty 2 req | SRV4021-045 | |
| 15.4 | Reset Switch | Propane Only | SRV2206-298 | Y |
| 15.5 | Battery Pack** | | SRV2326-134 | Y |
| 15.6 | Module, RF | | 2326-120 | Y |
| 15.7 | Module, IFT Control | | SRV2326-130 | Y |
| 15.8 | Wire Harness | | SRV2326-132 | Y |
| 15.9 | Reset Switch Wire | Propane Only | SRV2326-135 | Y |
| 15.10 | Jumper Wire, 2.5 inch | | SRV2155-033 | Y |
| 15.11 | Junction Box | Pre LC6668884 | SRV4021-013 | Y |
| | | Post LC6668884 | SRV2326-013 | Y |
| 15.12 | Transformer, 6 Volt Wall | | SRV2326-131 | Y |
| | Component Insulation | | 2604-102 | Y |

**Fuse for battery pack can be sourced locally, not a warranty item. Specs are 250v, 3A fuse, 3/4" long

Additional service part numbers on following page.



No one builds a better fire

Beginning Manufacturing Date: Aug 2019
Ending Manufacturing Date: Active

IMPORTANT: THIS IS DATED INFORMATION. Parts must be ordered from a dealer or distributor. **Hearth and Home Technologies does not sell directly to consumers.** Provide model number and serial number when requesting service parts from your dealer or distributor.



**Stocked
at Depot**

| ITEM | DESCRIPTION | COMMENTS | PART NUMBER | |
|------------------------|---|-------------|-----------------|---|
| | Flue Restrictor | | 385-128 | |
| | Fiber Glass Rope | | 060-455 | |
| | Gasket Assembly Contains:Vent, Burner Neck, Seal Cap, Air Passage, Drawn Air Passage, and Flex and Pilot | | 2300-080 | |
| | Glass Latch Assembly | Qty. 4 req. | 2146-413 | Y |
| | Heat Zone Collar Cover Plate | | 2310-107 | |
| | Insulation Donut, Plug | | 2065-121 | |
| | Log Assembly (Optional) | | LOGS-72 | |
| | Light Kit, Ambient | | ALK-72-C | |
| | Black Glass Kit (Includes Manual Bag Assembly for kit and Refractory Assembly, Optional) | | BGK-72 | |
| | Back Retaining Clips | Pkg of 25 | 060-235-25 | |
| | Side Retaining Clip | 1 Per Side | 2406-104 | |
| | RC 400 Remote | | SRV2326-110 | Y |
| | Touch Up Paint | | TUP-GBK-12 | |
| | Vinyl Siding Shield | | TRAP-VSS | |
| Media Options | | | | |
| | Media Kit, Red | | MEDIA-RED-72 | |
| | Media Kit, Fog | | MEDIA-FOG-72 | |
| | Media Kit, Ebony | | MEDIA-EBONY-72 | |
| | Media Kit, Cobalt | | MEDIA-COBALT-72 | |
| | Media Kit, Clear | | MEDIA-CLEAR-72 | |
| | Media Kit, Amber | | MEDIA-AMBER-72 | |
| | | | | |
| | | | | |
| | | | | |
| | | | | |
| | | | | |
| | | | | |
| | | | | |
| Conversion Kits | | | | |
| | Conversion Kit NG | | NGK-MC-C | Y |
| | Conversion Kit Propane | | LPK-8472 | |
| | Pilot Orifice, NG | | SRV593-528 | Y |
| | Pilot Orifice, Propane | | SRV593-527 | Y |
| | Regulator, NG | | NGK-DXV-50 | Y |
| | Regulator, Propane | | SRVLPK-DXV-50 | Y |