

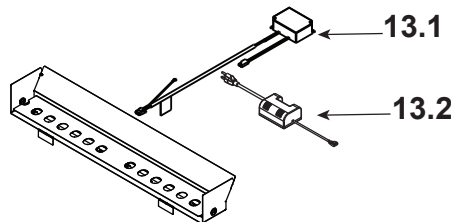
IMPORTANT: THIS IS DATED INFORMATION. Parts must be ordered from a dealer or distributor. **Hearth and Home Technologies does not sell directly to consumers.** Provide model number and serial number when requesting service parts from your dealer or distributor.



**Stocked at Depot**

ITEM	DESCRIPTION	COMMENTS	PART NUMBER	
1	Non-combustible Board, Top	Qty 2 req	SRV2312-460	
2	Standoff, Top	Qty 4 req	2604-283	
3	Side Trim	Qty 4 req	2300-281	
4	Non-combustible Board, Side	Qty 4 req	2300-461	
5	Bottom glass		2312-018	
6	Burner		2312-007	Y
7	Pilot Assembly		<b>See Following Page</b>	
8	Shield, Pilot		2300-195	
9	Glass Assembly	Qty 2 req	GLA-36-HNG	
10	Shield., Bottom Glass w/vent		2312-179	
	Shield., Bottom Glass		2313-179	
11	Panel, Bottom w/vent		2312-147	
	Panel, Bottom		2313-147	
12	Rock Tray		2312-151	

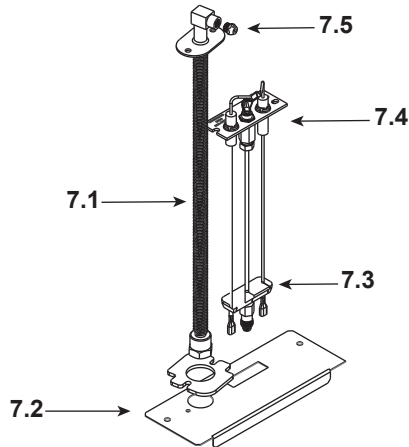
### #13 LED Light Assembly



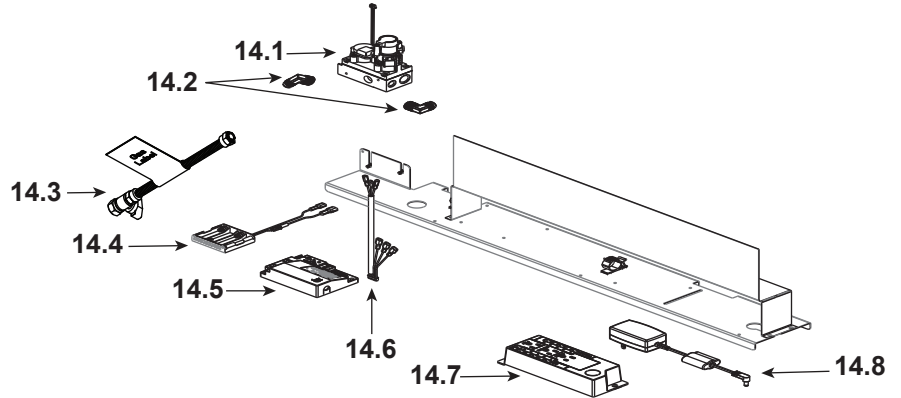
13	LED Light Assembly		ALK-36	
13.1	LED 12V Power Supply		2326-114	Y
13.2	AUX RC300		SRV2166-335	Y

Additional service part numbers on following page.

### #7 Pilot Assembly



### #14 Valve Assembly



**IMPORTANT: THIS IS DATED INFORMATION.** Parts must be ordered from a dealer or distributor. **Hearth and Home Technologies does not sell directly to consumers.** Provide model number and serial number when requesting service parts from your dealer or distributor.



**Stocked  
at Depot**

ITEM	DESCRIPTION	COMMENTS	PART NUMBER	
7.1	Bulkhead W/Flex tube		SRV2166-119	Y
7.2	Plate Flex and Pilot		2300-163	
7.3	3-Hole Grommet		SRV2118-420	
7.4	Pilot Assembly, NG		SRV2090-012	Y
	Pilot Assembly, Propane		2090-013	Y
7.5	Orifice, NG #36C		582-836	Y
	Orifice, Propane #52C		SRV582-852	Y
14.1	Valve, NG		SRV2166-302	Y
	Valve, Propane		2166-303	Y
14.2	Elbow	Qty 2 req	SRV4021-045	
14.3	Flex Ball Valve Assembly		302-323	Y
14.4	Battery Pack**		SRV2166-323	Y
14.5	Module		2166-347	Y
14.6	Wire Harness		2166-304	Y
14.7	Junction Box		SRV4021-013	Y
14.8	DC Regulator		SRV2326-131	Y

\*\*Fuse for battery pack can be sourced locally, not a warranty item. Specs are 250v, 1A fuse, 3/4" long

Additional service part numbers on following page.



No one builds a better fire

Beginning Manufacturing Date: May 2016  
Ending Manufacturing Date: Aug 2019

IMPORTANT: THIS IS DATED INFORMATION. Parts must be ordered from a dealer or distributor. **Hearth and Home Technologies does not sell directly to consumers.** Provide model number and serial number when requesting service parts from your dealer or distributor.



**Stocked  
at Depot**

ITEM	DESCRIPTION	COMMENTS	PART NUMBER	
	4 Lead Jumper Connections		2155-752	
	Flue Restrictor		385-128	
	Fiber Glass Rope		060-455	
	Gasket Assembly Contains: Vent, Burner Neck, Seal Cap, Air Passage, Drawn Air Passage, and Flex and Pilot		2300-080	
	Glass Latch Assembly	Qty. 4 req.	2146-413	Y
	Log Assembly (Optional)		LOGS-36	
	Light Kit, Ambient		ALK-36	
	Black Glass Kit ( Includes Manual Bag Assembly for kit and Refractory Assembly, Optional)		BGK-LINEARST	
	Remote RC300-HNG		2166-330	Y
	Touch Up Paint		TUP-GBK-12	
	Vinyl Siding Shield		TRAP-VSS	
	Clean Face Front		CFT-36-BK-C	
<b>Media Options</b>				
	Media Kit, Red		MEDIA-RED-36	
	Media Kit, Fog		MEDIA-FOG-36	
	Media Kit, Ebony		MEDIA-EBONY-36	
	Media Kit, Cobalt		MEDIA-COBALT-36	
	Media Kit, Clear		MEDIA-CLEAR-36	
	Media Kit, Amber		MEDIA-AMBER-36	
<b>Conversion Kits</b>				
	Conversion Kit NG		NGK-MC-C	
	Conversion Kit Propane		LPK-4836	
	Pilot Orifice, NG		SRV593-528	Y
	Pilot Orifice, Propane		SRV593-527	Y
	Regulator, NG		NGK-DXV-50	Y
	Regulator, Propane		SRVLPK-DXV-50	Y