

IMPORTANT: THIS IS DATED INFORMATION. Parts must be ordered from a dealer or distributor. **Hearth and Home Technologies does not sell directly to consumers.** Provide model number and serial number when requesting service parts from your dealer or distributor.



Stocked at Depot

ITEM	DESCRIPTION	COMMENTS	PART NUMBER	
1	Front Shield	Qty 2 req	2281-105	
2	Valve Heat Shield		2281-153	
3	Junction Box		SRV4021-013	Y
4	J Box Bracket		2281-154	
5	Valve Assembly		Refer to valve page	
6	Refractory Spacer	No longer available	SRV2287-197	
7	Log Tube Assembly		4062-010	Y
8	Left Refractory		2287-713	
9	Glass Frame Assembly		GLA-2281	
10	Finishing Spacer		2281-113	
11	Bottom Burner Assembly		Refer to burner page	
12	Log Mounting Plate	No longer available	2287-194	
13	Refractory Spacer	No longer available	2287-195	
14	Right Refractory		2287-714	
15	Back Refractory		2287-715	
16	Access Panel		2281-117	

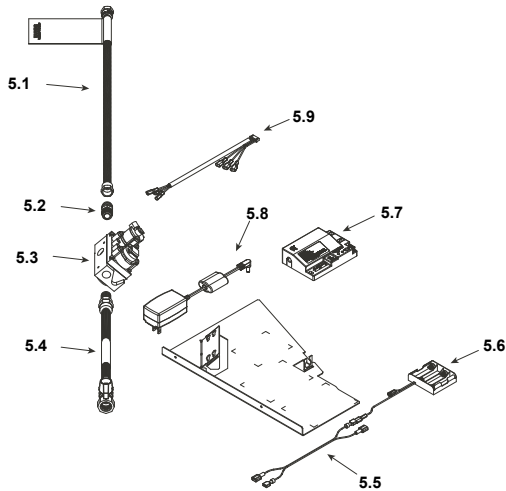
Additional service parts on following page.

No one builds a better fire

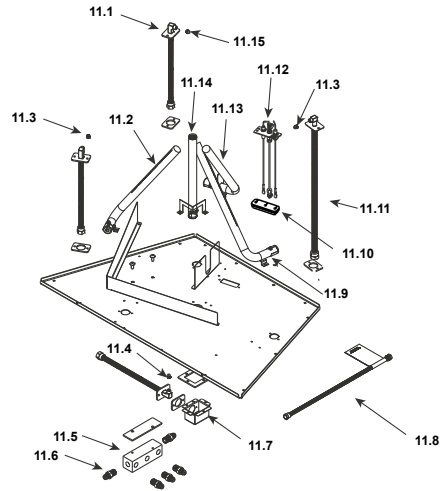
Beginning Manufacturing Date: May 2012

Ending Manufacturing Date: April 2017

#5 Valve Assembly



#11 Bottom Burner Assembly



IMPORTANT: THIS IS DATED INFORMATION. Parts must be ordered from a dealer or distributor. **Hearth and Home Technologies does not sell directly to consumers.** Provide model number and serial number when requesting service parts from your dealer or distributor.



Stocked at Depot

ITEM	DESCRIPTION	COMMENTS	PART NUMBER	
5.1	Flex Tube, Stainless 22 in	No longer available	7000-197	
5.2	Male Connector	Pkg of 5	303-315/5	Y
5.3	Valve NG	No longer available	2166-308	
5.4	Flex Gas Line, 10 in		SRV302-320	Y
5.5	Wire, Battery Jumps 10 in		2281-196	Y
5.6	**Battery Pack		SRV2166-323	Y
5.7	Module		2166-347	Y
5.8	DC Regulator		SRV2326-131	Y
5.9	Wire Harness		2166-304	Y
11.1	Bulkhead, Flexible	Qty 3 req	7000-156	Y
11.2	Burner Tube Left		4062-155	Y
11.3	Orifice, (#47C)	Qty 2 req	582-847	Y
11.4	Orifice, (#58C)	No longer available	582-858	
11.5	Manifold	No longer available	2287-130	
11.6	Male Connector	Pkg of 5	303-315/5	Y
11.7	Flex Mount box	No longer available	2287-129	
11.8	Flex Line		7000-197	Y
11.9	Burner Tube Right		4062-154	Y
11.10	Grommet, 3-Hole		SRV2118-420	
11.11	Flex 18"		530-302A	Y
11.12	Pilot Assembly	No longer available	2146-020	
11.13	Burner Tube Back		2457-156	Y
11.14	Burner Tube Center		2287-157	Y
11.15	Orifice, (#48C)		SRV582-848	Y

**Fuse for battery pack can be sourced locally, not a warranty item. Specs are 250v, 1A fuse, 3/4" long

