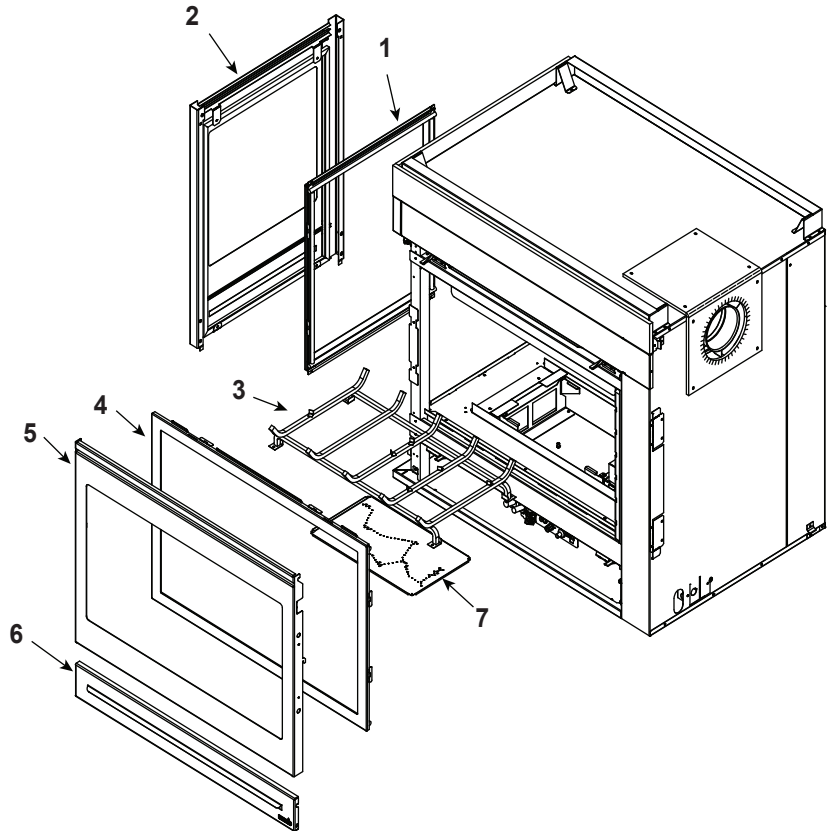


### Log Set Assembly



**IMPORTANT: THIS IS DATED INFORMATION.** Parts must be ordered from a dealer or distributor. **Hearth and Home Technologies does not sell directly to consumers.** Provide model number and serial number when requesting service parts from your dealer or distributor.

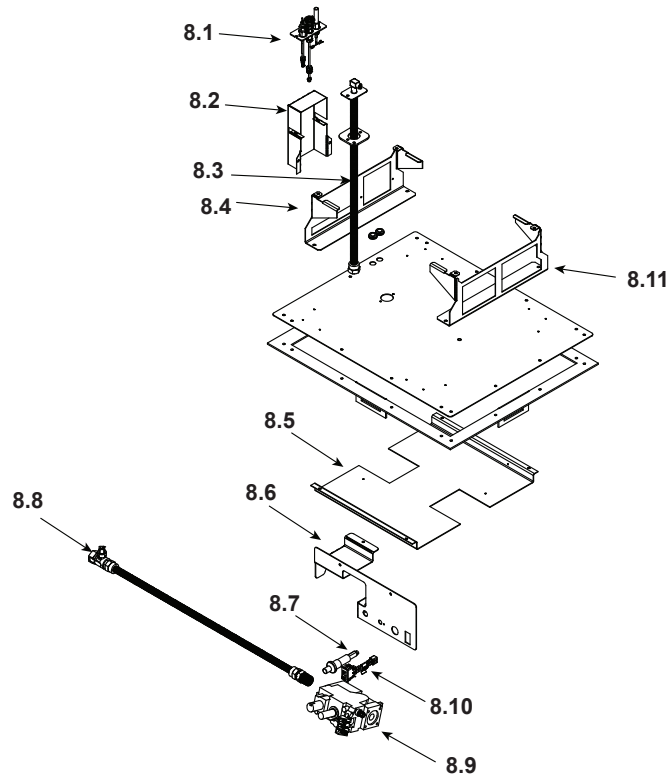
ITEM	DESCRIPTION	COMMENTS	PART NUMBER
	Log Set Assembly		LOGS-ST-CE
1	Glass Assembly (End)	No longer available	GLA-MS
2	End Panel Assembly	No longer available	2069-042
3	Grate Assembly	No longer available	SRV2068-020
4	Glass Assembly (Side)		GLA-6TROC
5	Dress Guard Assembly		2068-040
6	Lower Door	No longer available	2068-041
7	Burner N		2068-011
	Burner P & B		2068-013
	Hood, Side, Black	No longer available	SRV2005-190
	Hood, End, Black	No longer available	SRV2006-194
	Mesh Assembly (End)		561-330A
	Mesh Assembly (Side)		537-300
	Non-combustible Board (Side)	No longer available	2006-136
	Non-combustible Board (Back)	No longer available	2006-137
	Refractory (Side)		SRV2005-730
	Refractory (End)	No longer available	SRV2005-731

Additional service part numbers appear on following page.

No one builds a better fire

Beginning Manufacturing Date: June 2004  
Ending Manufacturing Date: May 2014

### #8 Valve Assembly



**IMPORTANT: THIS IS DATED INFORMATION.** Parts must be ordered from a dealer or distributor. **Hearth and Home Technologies does not sell directly to consumers.** Provide model number and serial number when requesting service parts from your dealer or distributor.

ITEM	DESCRIPTION	COMMENTS	PART NUMBER
8.1	Pilot Assembly N	No longer available	529-550A
	Pilot Assembly P	No longer available	529-551A
8.2	Pilot Bracket	No longer available	2068-114
8.3	Flexible Gas Connector		530-302A
8.4	Burner Leg, Pilot Support	No longer available	2068-112
8.5	Universal Bracket	No longer available	2068-111
8.6	Valve Bracket	No longer available	2068-115
8.7	Piezo Ignitor		291-513
8.8	Flex Ball Valve Assembly	No longer available	302-330A
8.9	Valve N	No longer available	060-524
	Valve P	No longer available	060-526
8.10	On/ Off Wire Assembly		060-521A
8.11	Burner Leg	No longer available	2068-113
	20" Wire Harness		107-559A
	Orifice N (#33DMS)		582-833
	Orifice P (#51DMS)		SRV582-851
	Orifice B (#53DMS)		582-853

Additional service part numbers appear on following page.



No one builds a better fire

Beginning Manufacturing Date: June 2004  
Ending Manufacturing Date: May 2014

IMPORTANT: THIS IS DATED INFORMATION. Parts must be ordered from a dealer or distributor. **Hearth and Home Technologies does not sell directly to consumers.** Provide model number and serial number when requesting service parts from your dealer or distributor.

ITEM	DESCRIPTION	COMMENTS	PART NUMBER
	Bracket Junction Box	No longer available	2068-106
	Door Stop	No longer available	2068-144
	Fan Kit		GFK-240V
	Fiber Glass Rope		060-455
	Glass Latch Assembly	Pkg of 2	33858/2
	Junction Box	No longer available	546-250A
	Lava Rock		2005-790
	Mineral Wool		050-721
	Touch Up Paint		TUP-GBK-12
	Wall Thermostat Kit	No longer available	MV-STAT
	Wall Switch kit, Off White	No longer available	WSK-21
	Wall Switch Kit, White		WSK-21-W
	Conversion Kit N	No longer available	NGK-ST-CE
	Conversion Kit P	No longer available	LPK-ST-CE
	Conversion Kit B	No longer available	BGK-ST-CE
	Pilot Orifice N		SRV529-512
	Pilot Orifice P		SRV200-2630
	Regulator N		SRV230-1570
	Regulator P & B		SRV230-1520