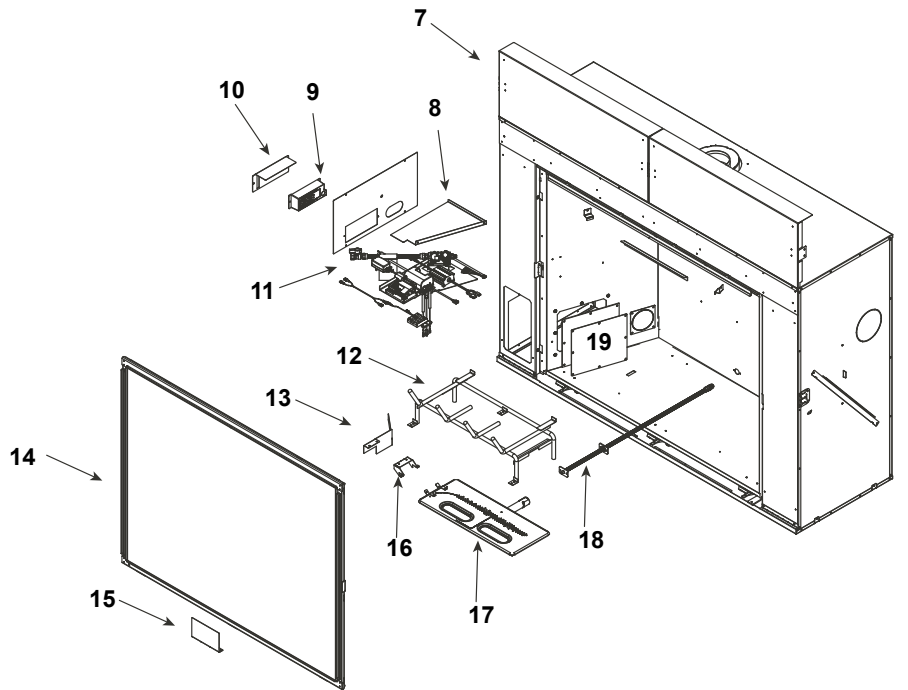
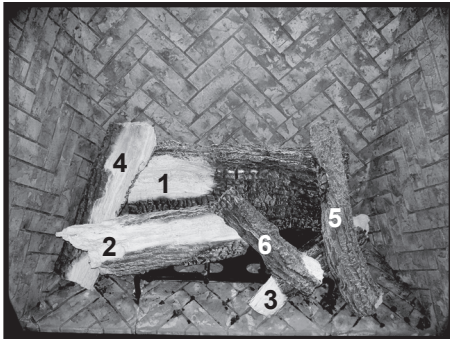


Log Set Assembly



IMPORTANT: THIS IS DATED INFORMATION. Parts must be ordered from a dealer or distributor. **Hearth and Home Technologies does not sell directly to consumers.** Provide model number and serial number when requesting service parts from your dealer or distributor.

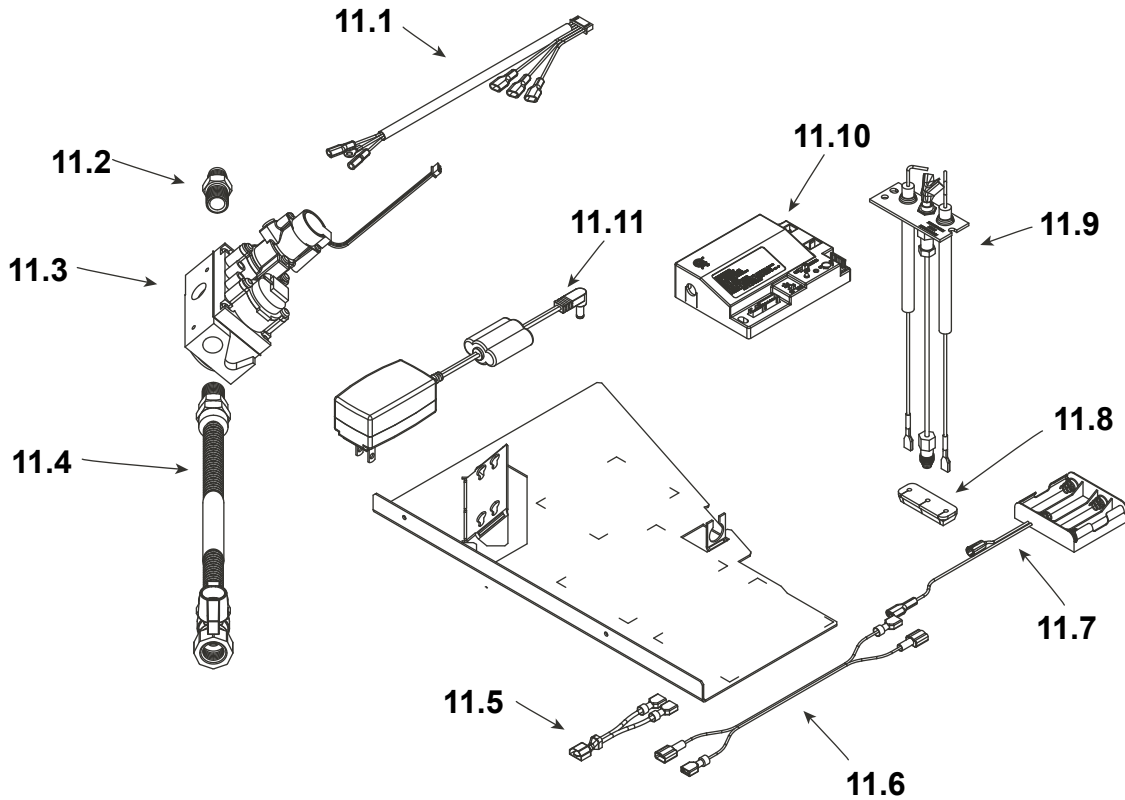


Stocked at Depot

ITEM	DESCRIPTION	COMMENTS	PART NUMBER	
	Log Assembly		LOGS-HEIR50	Y
1	Log 1	Build date Pre 5/15/16, Must order complete assembly	SRV2285-701	
2	Log 2		SRV2285-702	
3	Log 3		SRV2285-703	
4	Log 4		SRV2285-704	
5	Log 5		SRV2285-705	
6	Log 6		SRV2285-706	
7	Heat Shield, Header		2282-105	
8	Heat Shield, Valve		2281-153	
9	Junction box		SRV4021-013	Y
10	J-Box Bracket		2281-154	
11	Valve Assembly		Refer to Valve Page	
12	Grate Assembly		2285-015	
13	Air Deflector		2285-159	
14	Glass Assembly		GLA-2285	
15	Finishing Spacer		2281-113	
16	Pilot Cover		2281-187	
17	Burner Assembly, NG		2285-007	Y
	Burner Assembly, LP		2282-008	Y
18	Orifice Bracket Flex		2282-161	Y
19	Access Plate		2281-117	

Additional service parts on following page.

#11 Valve Assembly



IMPORTANT: THIS IS DATED INFORMATION. Parts must be ordered from a dealer or distributor. **Hearth and Home Technologies** does not sell directly to consumers. Provide model number and serial number when requesting service parts from your dealer or distributor.

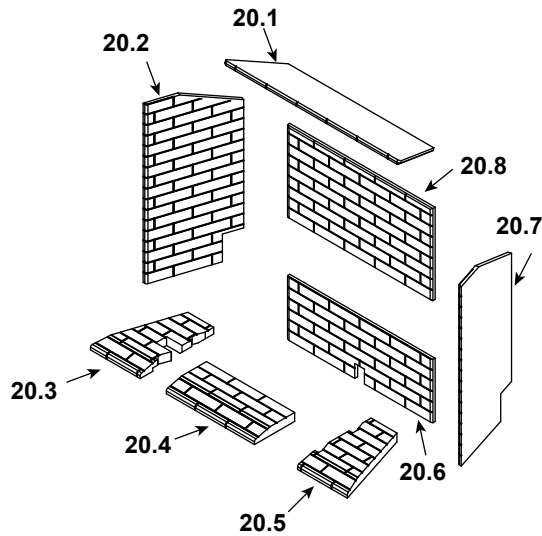


**Stocked
at Depot**

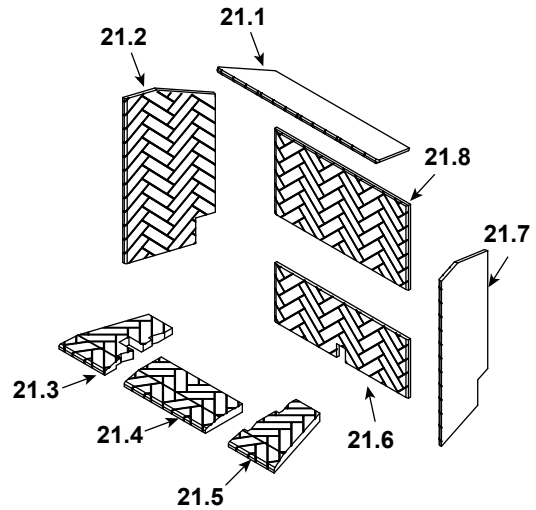
ITEM	DESCRIPTION	COMMENTS	PART NUMBER	
11.1	Wire Harness		2166-304	Y
11.2	Male connector	Pkg of 5	303-315/5	Y
11.3	Valve NG		SRV2166-302	Y
	Valve LP		2166-303	Y
11.4	Flex Ball Valve Assembly. 12"		SRV302-320	Y
11.5	Jumper Wire		SRV2187-198	Y
11.6	Wire, Battery Jumps, 10 in		2281-196	Y
11.7	**Battery Pack		SRV2166-323	Y
11.8	Grommet		SRV2118-420	
11.9	Pilot Assembly, NG		2281-012	Y
11.10	Module		2166-347	Y
11.11	Power Supply		SRV2326-131	Y
	Orifice NG (#24C)		582-824	Y
	Orifice LP (#43C)		SRV582-843	Y

**Fuse for battery pack can be sourced locally, not a warranty item. Specs are 250v, 1A fuse, 3/4" long

#20 Traditional Refractory



#21 Herringbone Refractory



IMPORTANT: THIS IS DATED INFORMATION. Parts must be ordered from a dealer or distributor. **Hearth and Home Technologies does not sell directly to consumers.** Provide model number and serial number when requesting service parts from your dealer or distributor.



Stocked at Depot

ITEM	DESCRIPTION	COMMENTS	PART NUMBER	
	Refractory, Traditional			
20.1	Refractory, Top		SRV2285-716	
20.2	Refractory, Left		SRV2285-713	
20.3	Refractory, Left Base		SRV2285-711	
20.4	Refractory, Front Base		SRV2285-710	
20.5	Refractory, Right Base		SRV2285-712	
20.6	Refractory, Back Bottom		SRV2285-715	
20.7	Refractory, Right		SRV2285-714	
20.8	Refractory, Back		SRV2285-717	
	Refractory, Herringbone			
21.1	Refractory, Top		SRV2285-726	
21.2	Refractory, Left		SRV2285-723	
21.3	Refractory, Left Base		SRV2285-721	
21.4	Refractory, Front Base		SRV2285-720	
21.5	Refractory, Right Base		SRV2285-722	
21.6	Refractory, Back Bottom		SRV2285-725	
21.7	Refractory, Right		SRV2285-724	
21.8	Refractory, Back		SRV2285-727	

Additional service parts on following page.

IMPORTANT: THIS IS DATED INFORMATION. Parts must be ordered from a dealer or distributor. **Hearth and Home Technologies does not sell directly to consumers.** Provide model number and serial number when requesting service parts from your dealer or distributor.



**Stocked
at Depot**

ITEM	DESCRIPTION	COMMENTS	PART NUMBER	
	Air Shutter Burner Tube		2052-157	
	Exhaust Restrictor		530-299	
	Firescreen	Black	FS-50-BK-HTL	
	Firescreen Arch	Black	FS-50A-BK-HTL	
	Gasket Assembly		SRV2281-080	
	Glass Clip tool		2281-375	
	Glass Latch Assembly	Qty 2 req	2146-413	Y
	Glass Latch Assembly	Qty 4 req	2155-045	Y
	Lava Rock		SRV4021-296	
	Mineral Wool		050-721	
	Non-Comb Assembly		2282-040	
	Nut 1/4-20 Hex Insert		SRV7000-236	
	Refractory Tab		2281-114	
	Relief Door Assembly		7011-011	
	Remote		RC200-HTL	
	Screws	Pkg of 20	2300-275-20	Y
	Thermostat Wire		SRV2118-170	Y
	Top Refractory Support		2281-190	
	Vermiculite Embers		MYSTIC-EMBERS	
	Trim Strip, Sides		2282-366	
	Trim Strip, Top		2282-367	
	Vanity Panel, Lower		2282-407	
Conversion Kits				
	Conversion Kit NG		NGK-HEIR50	Y
	Conversion Kit LP		LPK-HEIR50	Y
	Pilot Orifice NG		SRV593-528	Y
	Pilot Orifice LP		SRV593-527	Y
	Regulator NG	w/stepper motor	NGK-DXV-50	Y
	Regulator LP	w/stepper motor	SRVLPK-DXV-50	Y