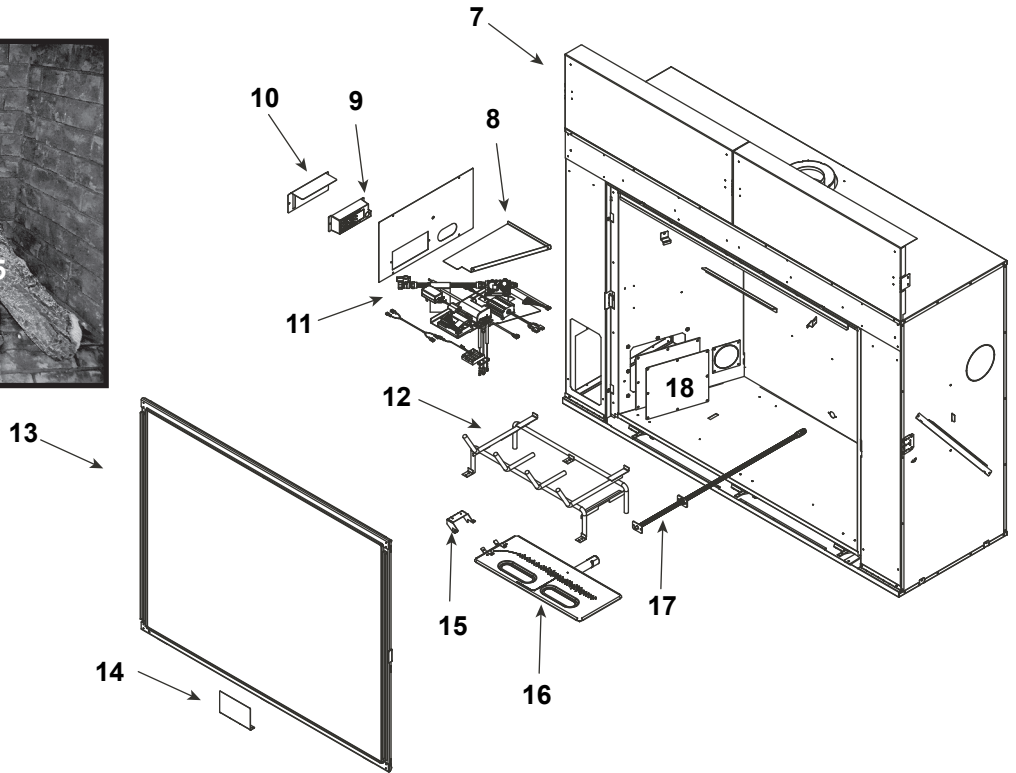
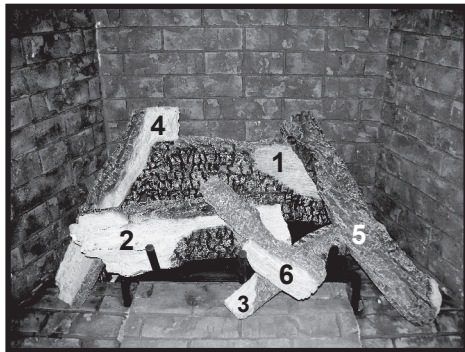


**Log Set Assembly**



IMPORTANT: THIS IS DATED INFORMATION. Parts must be ordered from a dealer or distributor. **Hearth and Home Technologies does not sell directly to consumers.** Provide model number and serial number when requesting service parts from your dealer or distributor.

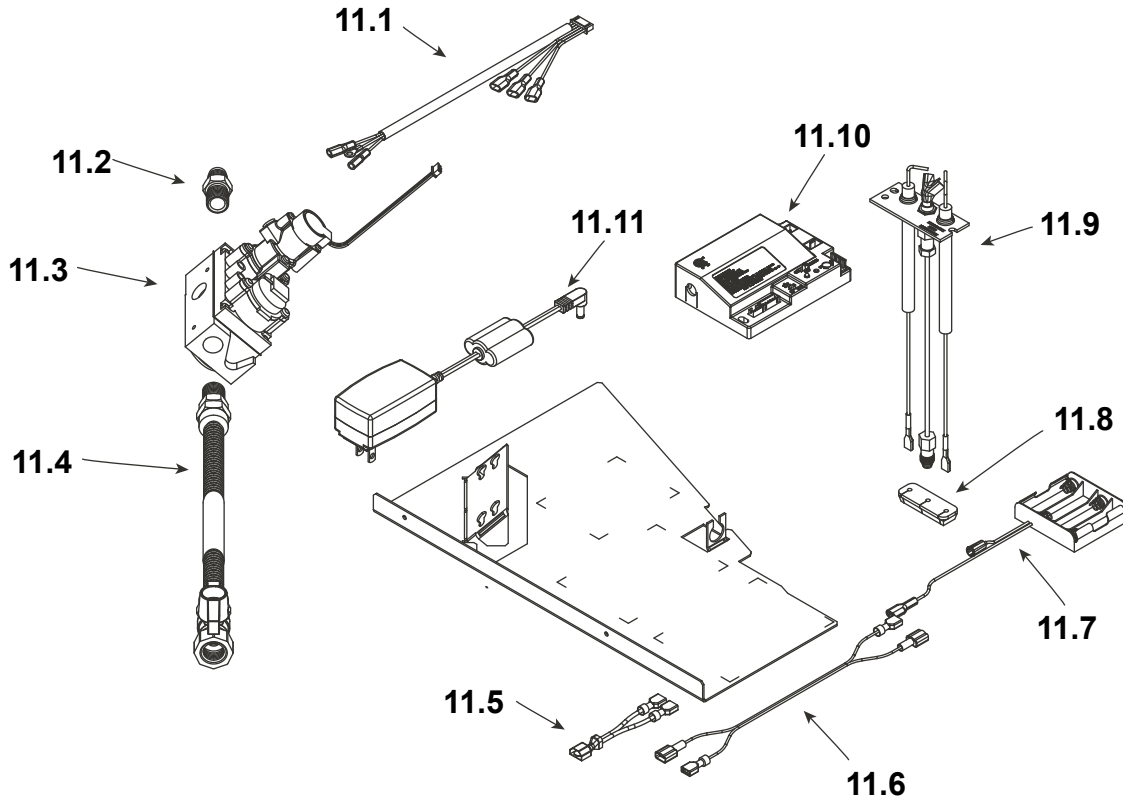


**Stocked at Depot**

ITEM	DESCRIPTION	COMMENTS	PART NUMBER	
	Log Assembly		LOGS-HEIR36	Y
1	Log 1	<b>Build date Pre 5/15/16, Must order complete assembly</b>	SRV2284-701	
2	Log 2		SRV2284-702	
3	Log 3		SRV2283-703	
4	Log 4		SRV2284-704	
5	Log 5		SRV2284-705	
6	Log 6		SRV2284-706	
7	Heat Shield, Header	Qty 2 req	2280-105	
8	Heat Shield, Valve		2281-153	
9	Junction box		SRV4021-013	Y
10	J-Box Bracket		2281-154	
11	Valve Assembly		<b>Refer to Valve Page</b>	
12	Grate Assembly		2283-015	
13	Glass Assembly		GLA-2283	Y
14	Finishing Spacer		2281-113	
15	Pilot Cover		2281-187	
16	Burner Assembly		2283-007	Y
17	Orifice Bracket Flex		2012-008	Y
18	Access Plate		2281-117	

Additional service parts on following page.

**#11 Valve Assembly**



IMPORTANT: THIS IS DATED INFORMATION. Parts must be ordered from a dealer or distributor. **Hearth and Home Technologies does not sell directly to consumers.** Provide model number and serial number when requesting service parts from your dealer or distributor.

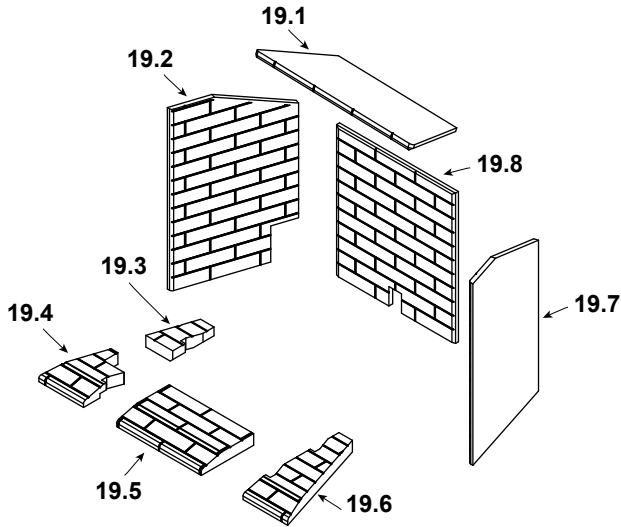


**Stocked  
at Depot**

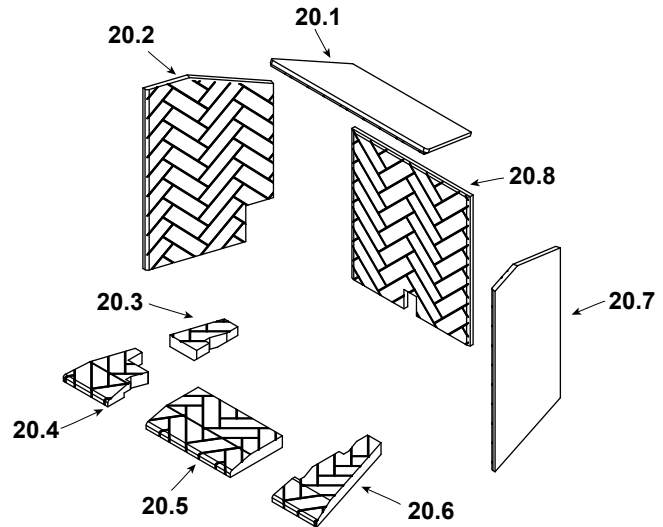
ITEM	DESCRIPTION	COMMENTS	PART NUMBER	Stocked at Depot
11.1	Wire Harness		2166-304	Y
11.2	Male connector	Pkg of 5	303-315/5	Y
11.3	Valve NG		SRV2166-302	Y
	Valve LP		2166-303	Y
11.4	Flex Ball Valve Assembly. 12"		SRV302-320	Y
11.5	Jumper Wire		SRV2187-198	Y
11.6	Wire, Battery Jumps, 10 in		2281-196	Y
11.7	Battery Pack		SRV2166-323	Y
11.8	Grommet		SRV2118-420	
11.9	Pilot Assembly, NG		2281-012	Y
11.10	Module		2166-347	Y
11.11	Power Supply		SRV2326-131	Y
	Orifice NG (#30C)		582-830	Y
	Orifice LP (#47C)		582-847	Y

Additional service parts on following page.

**#19 Traditional Refractory**



**#20 Herringbone Refractory**



IMPORTANT: THIS IS DATED INFORMATION. Parts must be ordered from a dealer or distributor. **Hearth and Home Technologies does not sell directly to consumers.** Provide model number and serial number when requesting service parts from your dealer or distributor.



**Stocked at Depot**

ITEM	DESCRIPTION	COMMENTS	PART NUMBER	
	Refractory, Traditional			
19.1	Refractory, Top		SRV2283-716	
19.2	Refractory, Left		SRV2283-713	
19.3	Refractory, Left Base		SRV2283-718	
19.4	Refractory, Left Base		SRV2283-711	
19.5	Refractory, Front Base		SRV2283-710	
19.6	Refractory, Right Base		SRV2283-712	
19.7	Refractory, Right		SRV2283-714	
19.8	Refractory, Back		SRV2283-715	
	Refractory, Herringbone			
20.1	Refractory, Top		SRV2283-726	
20.2	Refractory, Left		SRV2283-723	
20.3	Refractory, Left Base		SRV2283-728	
20.4	Refractory, Left Base		SRV2283-721	
20.5	Refractory, Front Base		SRV2283-720	
20.6	Refractory, Right Base		SRV2283-722	
20.7	Refractory, Right		SRV2283-724	
20.8	Refractory, Back		SRV2283-725	

Additional service parts on following page.

IMPORTANT: THIS IS DATED INFORMATION. Parts must be ordered from a dealer or distributor. **Hearth and Home Technologies does not sell directly to consumers.** Provide model number and serial number when requesting service parts from your dealer or distributor.



**Stocked  
at Depot**

ITEM	DESCRIPTION	COMMENTS	PART NUMBER	
	Air Shutter Burner Tube		2052-157	
	Exhaust Restrictor		530-299	
	Firescreen	Black	FS-36-BK-HTL	
	Firescreen Arch	Black	FS-36A-BK-HTL	
	Gasket Assembly		SRV2281-080	
	Glass Clip Tool		2281-375	
	Glass Latch Assembly	Qty 2 req	2146-413	Y
	Glass Latch Assembly	Qty 3 req	2155-045	Y
	Lava Rock		SRV4021-296	
	Mineral Wool		050-721	
	Non-Comb Assembly		2280-040	
	Nut 1/4-20 Hex Insert		SRV7000-236	
	Refractory Tab	Qty 2 req	2281-114	
	Relief Door Assembly		7011-011	
	Remote		RC200-HTL	
	Screws	Pkg of 20	2300-275-20	Y
	Thermostat Wire		SRV2118-170	Y
	Top Refractory Support		2281-190	
	Vermiculite Embers		MYSTIC-EMBERS	
	Trim Strip, Sides		2280-366	
	Trim Strip, Top		2280-367	
	Vanity Panel, Lower		2280-407	
	Conversion Kit NG		NGK-HEIR36	Y
	Conversion Kit LP		LPK-HEIR36	Y
	Pilot Orifice NG		SRV593-528	Y
	Pilot Orifice LP		SRV593-527	Y
	Regulator NG	w/stepper motor	NGK-DXV-50	Y
	Regulator LP	w/stepper motor	SRVLPK-DXV-50	Y