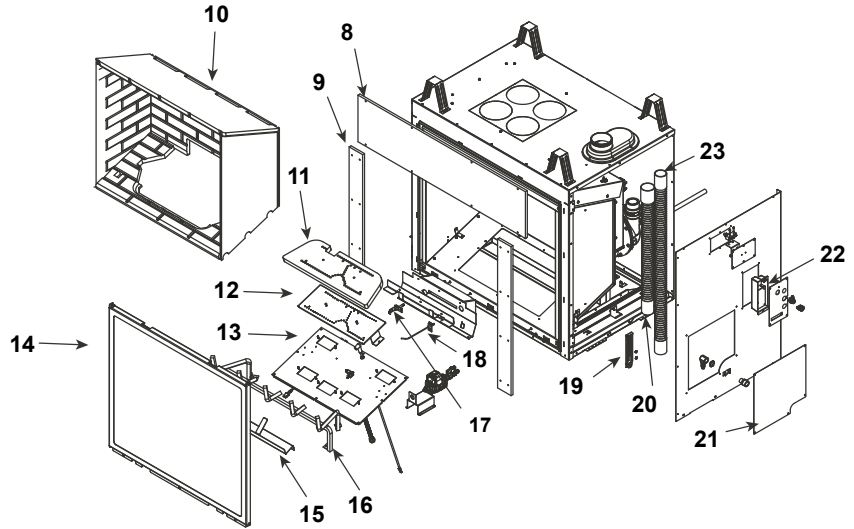


Log Set Assembly



IMPORTANT: THIS IS DATED INFORMATION. Parts must be ordered from a dealer or distributor. **Hearth and Home Technologies does not sell directly to consumers.** Provide model number and serial number when requesting service parts from your dealer or distributor.



Stocked at Depot

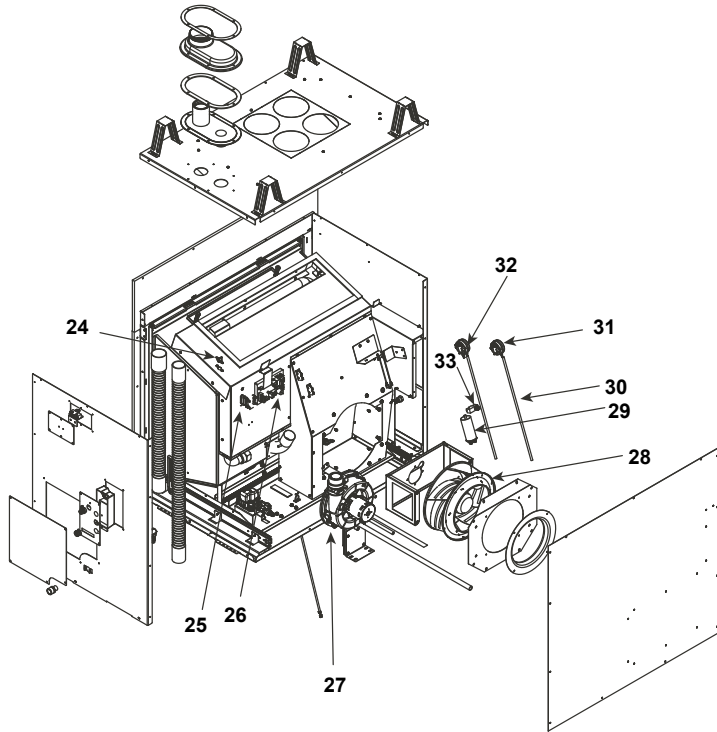
ITEM	DESCRIPTION	COMMENTS	PART NUMBER	
	Log Assembly		LOGS-6CL	Y
1	Log #1	No longer available, Must order complete assembly	SRV2166-721	
2	Log #2		SRV2166-722	
3	Log #3		SRV2166-723	
4	Log #4		SRV2166-724	
5	Log #5		SRV2166-725	
6	Log #6		SRV2166-726	
7	Log #7		SRV2166-727	
8	Non-combustible board, Top	No longer available	2183-430	
9	Non-combustible board, side	No longer available	2183-431	
10	Refractory Assembly	Refer to following page		
11	Burner Top		SRV2166-100	Y
12	Burner Assembly NG		2183-014	Y
	Burner Assembly LP		2183-022	Y
13	Valve Assembly	Refer to following page		
14	Glass Assembly	No longer available	GLA-HE36	
15	Burner Front Plate	No longer available	2183-120	
16	Grate Assembly	No longer available	2183-181	
17	Igniter	No longer available	2183-401	
18	Flame Sensor	No longer available	2183-403	
19	Firebox Support Assembly	No longer available	2183-028	
20	Flexible Exhaust Tube	No longer available	2183-146	
21	Pump Access Panel	No longer available	2183-144	
22	Junction box		SRV4021-013	Y
23	Flexible Intake Tube	No longer available	2183-145	

Additional service part numbers on following page.

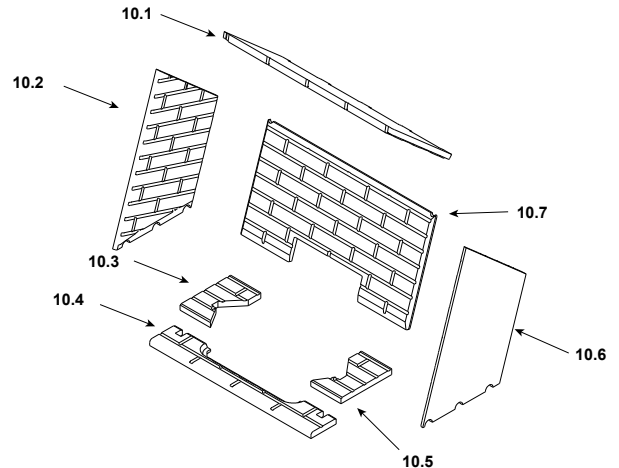
No one builds a better fire

Beginning Manufacturing Date: Dec 2012
 HE36CLXLP-S End Manufacturing Date: May 2015
 HE36CLX-S End Manufacturing Date: May 2016

Back Assembly



#10 Refractory Assembly



IMPORTANT: THIS IS DATED INFORMATION. Parts must be ordered from a dealer or distributor. **Hearth and Home Technologies does not sell directly to consumers.** Provide model number and serial number when requesting service parts from your dealer or distributor.



Stocked at Depot

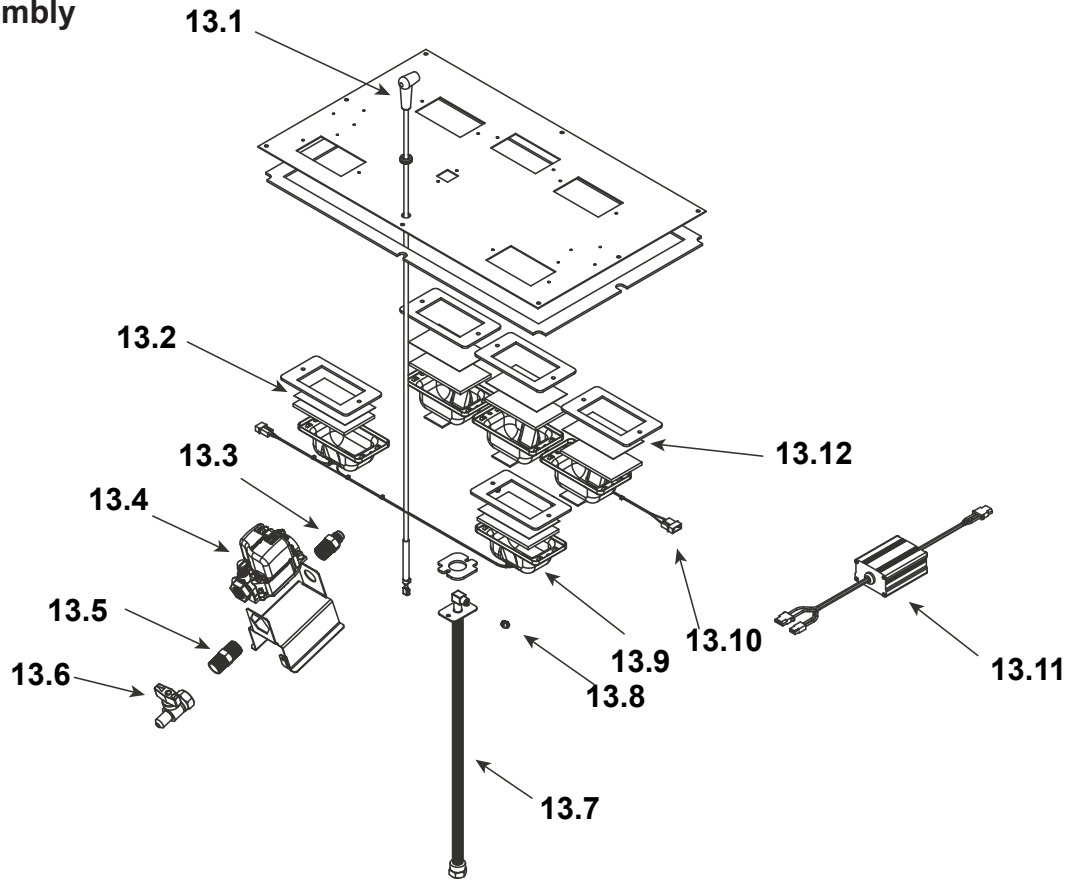
ITEM	DESCRIPTION	COMMENTS	PART NUMBER	
24	Temp Disk	No longer available	2183-326	
25	Transformer	No longer available	2183-405	
26	Control Board	No longer available	2183-400	
27	Blower Condensate Assembly	No longer available	2183-080	
28	Convection Blower	No longer available	2183-330	
29	Capacitor	No longer available	2183-325	
30	Vacuum Switch Tube	No longer available	2183-369	
31	Vacuum Switch, 4"	No longer available	2183-420	
32	Vacuum Switch, .35"	No longer available	2183-421	
33	Limit Switch, Convection Blower	No longer available	2183-406	
10	Refractory Assembly		SRVHE36REF-STRT	
10.1	Refractory, Top	No longer available, Must order complete assembly	SRV2183-716	
10.2	Refractory, Left		SRV2183-713	
10.3	Refractory, Left Base		SRV2183-711	
10.4	Refractory, Front Base		SRV2183-710	
10.5	Refractory, Right Base		SRV2183-712	
10.6	Refractory, Side Right		SRV2183-714	
10.7	Refractory, Back		SRV2183-715	

Additional service part numbers on following page.

No one builds a better fire

Beginning Manufacturing Date: Dec 2012
 HE36CLXLP-S End Manufacturing Date: May 2015
 HE36CLX-S End Manufacturing Date: May 2016

#13 Valve Assembly



IMPORTANT: THIS IS DATED INFORMATION. Parts must be ordered from a dealer or distributor. **Hearth and Home Technologies does not sell directly to consumers.** Provide model number and serial number when requesting service parts from your dealer or distributor.



Stocked at Depot

ITEM	DESCRIPTION	COMMENTS	PART NUMBER	
13.1	Ignition Cable, 36"	No longer available	2183-402	
13.2	Kapton Lens, Light Orange	Qty 2 req	2166-171	Y
13.3	Male Connector	No longer available	302-315	
13.4	Valve, NG	No longer available	2183-425	
	Valve, LP	No longer available	2183-301	
13.5	Male Connector, 1/2"	No longer available	2183-307	
13.6	Gas Ball Valve		SRV15697	Y
13.7	Flex, 18"		530-302A	Y
13.8	Orifice, NG (#33C)		582-833	Y
	Orifice, LP (#50C)		582-850	Y
13.9	3-Gang LED Assembly	Ember	2166-316	Y
13.10	2-Gang LED Assembly	Accent	2166-315	Y
13.11	LED Controller		SRV2166-336	Y
13.12	Led Glass	Qty 5 req	2166-163	Y
13.13	Kapton Lens, Dark Orange	Qty 3 req	2166-184	Y

Additional service part numbers on following page.

