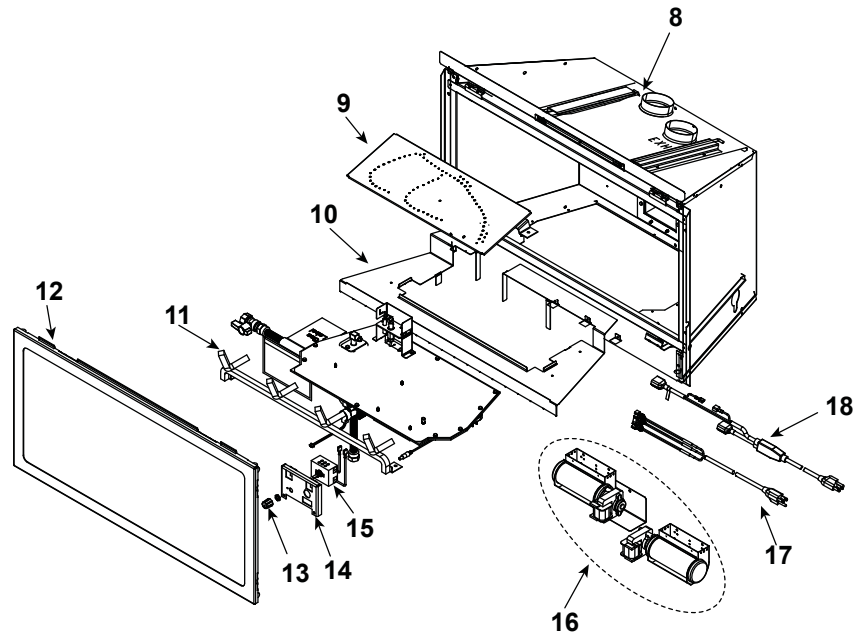


Log Set Assembly



IMPORTANT: THIS IS DATED INFORMATION. Parts must be ordered from a dealer or distributor. **Hearth and Home Technologies does not sell directly to consumers.** Provide model number and serial number when requesting service parts from your dealer or distributor.



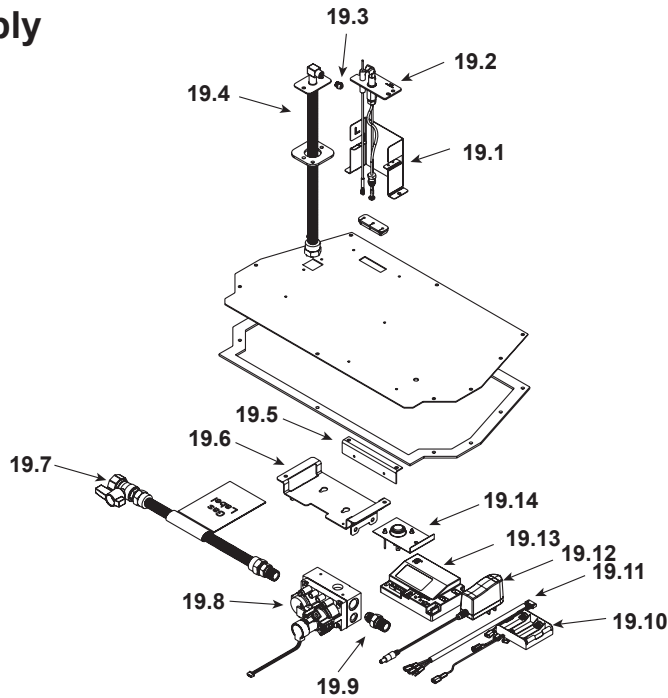
**Stocked
at Depot**

ITEM	DESCRIPTION	COMMENTS	PART NUMBER	
	Log Assembly		LOGS-I35	Y
1	Log 1	No longer available, Must order complete assembly	SRV2205-702	
2	Log 2		SRV2205-701	
3	Log 3		SRV2205-705	
4	Log 4		SRV2205-704	
5	Log 5		SRV2205-710	
6	Log 6		SRV2205-706	
7	Log 7		SRV2205-703	
8	Termination Plate Assembly		2205-012	
	Flex Pipe Handle		438-351	
	Gasket		2206-401	
9	*Burner Assembly	Call Tech Service with Serial number		
10	Base Pan	No Longer Available	2205-106	
11	Grate Assembly		2205-016	
12	Glass Door Assembly		GLA-2205	Y
13	Rheostat Knob		SRV100-512	Y
14	Control Panel		2205-129	
15	On/Off Rheostat		2206-800	Y
16	Blower Assembly		GFK-210-C	
17	Power Cord Assembly		2206-068	Y
18	Cord Assembly		2201-017	Y

*Call Tech Service with serial number for correct conversion and/or possible upgrade pilot kit

Additional service part numbers appear on following page.

#19 Valve Assembly



IMPORTANT: THIS IS DATED INFORMATION. Parts must be ordered from a dealer or distributor. **Hearth and Home Technologies does not sell directly to consumers.** Provide model number and serial number when requesting service parts from your dealer or distributor.



Stocked at Depot

ITEM	DESCRIPTION	COMMENTS	PART NUMBER	
19.1	*Pilot Bracket	Call Tech Service with Serial number		
19.2	*Pilot Assembly NG		Call Tech Service with Serial number	
	*Pilot Assembly LP			
19.3	Orifice NG (#33C)		582-833	Y
	Orifice LP (#50C)		582-850	Y
19.4	18" Flex Tube Assembly		530-302A	Y
19.5	Bracket, Control Panel		2205-128	
19.6	Valve Bracket		2205-146	
19.7	Flex Ball Valve Assembly		SRV302-320	Y
19.8	Valve NG		2166-302	Y
	Valve LP		2166-303	Y
19.9	Brass Connector	Pkg of 5	303-315/5	Y
19.10	Battery Pack**		SRV2166-323	Y
19.11	Wire Harness		2166-304	Y
19.12	Power Supply		SRV2326-131	Y
19.13	Module		2166-347	Y
19.14	Temp Sensor Assembly		046-018A	Y

**Fuse for battery pack can be sourced locally, not a warranty item. Specs are 250v, 1A fuse, 3/4" long

*Call Tech Service with serial number for correct conversion and/or possible upgrade pilot kit

Additional service part numbers appear on following page.



Service Parts

GRAND-I35

No one builds a better fire

Beginning Manufacturing Date: June 2010
Ending Manufacturing Date: Aug 2011

IMPORTANT: THIS IS DATED INFORMATION. Parts must be ordered from a dealer or distributor. Hearth and Home Technologies does not sell directly to consumers. Provide model number and serial number when requesting service parts from your dealer or distributor.



Stocked at Depot

Table with 5 columns: ITEM, DESCRIPTION, COMMENTS, PART NUMBER, and Stocked at Depot. Rows include Gasket Assembly, Glass Clip support Assembly, Glass Latch Assembly, Lava Rock, Mineral Wool, Refractory Kit, Touch up Paint, EMC Filter, Conversion Kits, Pilot Orifices, and Regulators.

*Call Tech Service with serial number for correct conversion and/or possible upgrade pilot kit