

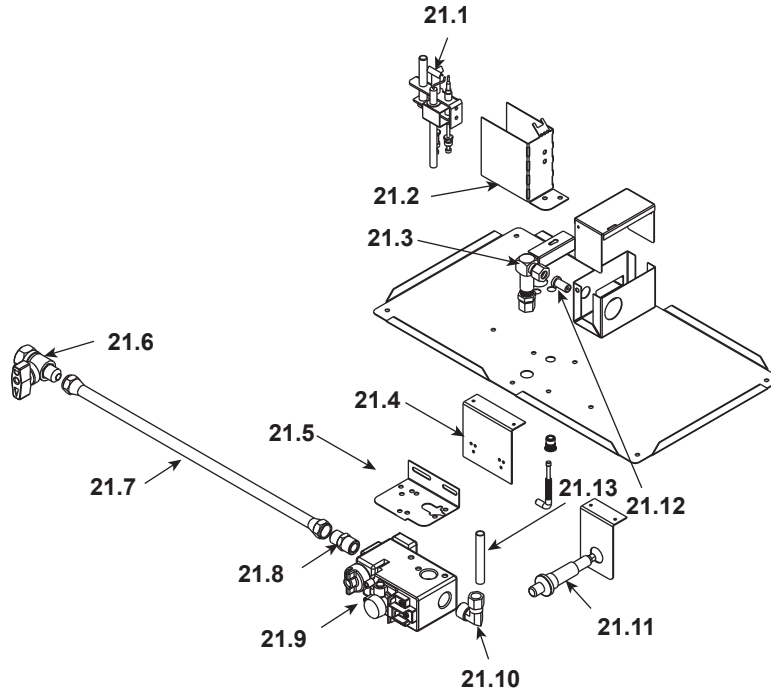
IMPORTANT: THIS IS DATED INFORMATION. Parts must be ordered from a dealer or distributor. **Hearth and Home Technologies does not sell directly to consumers.** Provide model number and serial number when requesting service parts from your dealer or distributor.



**Stocked at Depot**

ITEM	DESCRIPTION	COMMENTS	PART NUMBER	
	Log/Grate Assembly		30846	Y
1	Log, Front Left	<b>No longer available, Must order complete assembly</b>	SRV29779	
2	Log, Back		SRV30167	
3	Log, Middle Left		SRV29829	
4	Log, Top		SRV29830	
5	Log, Front Right		SRV29780	
6	Log, Burnt Out		SRV30037	
7	Refractory, Left Side	<b>No longer available</b>	30157	
8	Refractory, Back	<b>No longer available</b>	31512	
9	Refractory, Right Side	<b>No longer available</b>	30158	
10	Standoff, Top	Qty 4 req	SRV4044-111	
11	Face, Top Front	<b>No longer available</b>	29574	
12	Hood		SRV29576	
13	Grille, Top		26638	
14	Firescreen Assembly		25674	Y
15	Glass Frame Assembly		GLA4031-096	Y
	Glass Latch Top Assembly, Retro Kit - Qty. 3 req.	Pre 28/01	34529	
	Glass Latch Assembly - Qty. 6 req.	Post 28/01	33858/2	Y
16	Grille, Lower	<b>No longer available</b>	25144	
17	Face, Bottom Front	<b>No longer available</b>	24978	
18	Fan Kit - (If you have a metal junction box, must also order a BC10)		GFK-160C	
19	Catch Latch	Qty 3 req	27066	
20	Junction Box Kit		22130	Y

**#21 Standing Pilot Valve Assembly Diagram**



IMPORTANT: THIS IS DATED INFORMATION. Parts must be ordered from a dealer or distributor. **Hearth and Home Technologies does not sell directly to consumers.** Provide model number and serial number when requesting service parts from your dealer or distributor.



**Stocked at Depot**

ITEM	DESCRIPTION	COMMENTS	PART NUMBER	
21.1	Pilot Assembly - NG		4021-732	Y
	Pilot Assembly - LP		4021-733	Y
	Pilot Tube Kit		26471	Y
	Thermocouple		SRV72956	Y
	Thermopile		2103-512	Y
21.2	Pilot Bracket	No longer available	29825	
21.3	Bulkhead	No longer available	35403	
21.4	Valve Bracket - Upper	No longer available	30014	
21.5	Valve Bracket - Lower		SRV31824	
21.6	ON/OFF Valve		15697	Y
21.7	Flex Line		SRV4121-006	Y
21.8	Brass Male Connector - Flex	Pkg of 5	303-315/5	Y
21.9	Valve - NG		SRV24033	Y
	Valve - LP		SRV24034	Y
21.10	Brass Elbow		SRV17524	
21.11	Push Button Ignitor		291-513	Y
21.12	Orifice, Burner (.120) - NG		SRV18677	Y
	Orifice, Burner (.073) - LP		SRV24220	Y
21.13	Orifice Tube	No longer available	35402	

Additional service part numbers appear on following page.

IMPORTANT: THIS IS DATED INFORMATION. Parts must be ordered from a dealer or distributor. **Hearth and Home Technologies does not sell directly to consumers.** Provide model number and serial number when requesting service parts from your dealer or distributor.



**Stocked  
at Depot**

ITEM	DESCRIPTION	COMMENTS	PART NUMBER	
	Brass Male Connector - Tube		13425	
	Burner Gas Tube		27002	Y
	Burner Pan Assembly		30761	Y
	Collar Assembly Intake	No longer available	4000-228	
	Collar Assembly Exhaust	No longer available	4000-230	
	Exhaust Cover Plate	No longer available	25840	
	Exhaust Gasket	No longer available	31238	
	Flue Adapter Assembly	No longer available	25881	
	Flue Adapter Plate	No longer available	25882	
	Flue Assembly, Outer	No longer available	29778	
	Flue Gasket		4000-225	
	Glass Heat Shield	No longer available	30634	
	High Limit Switch	Pre 18/99	SRV24967	Y
	High Limit Switch Plate	No longer available	14391D	
	Intake Cover Plate	No longer available	25844	
	Lava Rock Retainer	No longer available	29821	
	Nailing Flange	Qty 4 req	SRV31190	
	Stop Bracket	No longer available	22132	
	Touch-up Paint		71479	
	Wall Switch Wire Assembly	Pre 38/04	SRV28602	Y
		Post 38/04	2118-170	Y
	Wool, Lava Rock, Vermiculite		4040-094	
	Lava Rock		4021-296	
	Mineral Wool		14333B	
	Vermiculite		28746	
	Conversion Kit NG		CKVN	Y
	Conversion Kit LP		CKVP	Y
	Orifice, Pilot (.021) - NG		SRV446-505	Y
	Orifice, Pilot (.0115) - LP		SRV446-517	Y
	Regulator, NG		SRV060-518	Y
	Regulator, LP		SRV19900	Y
	Installation Instructions		30803	