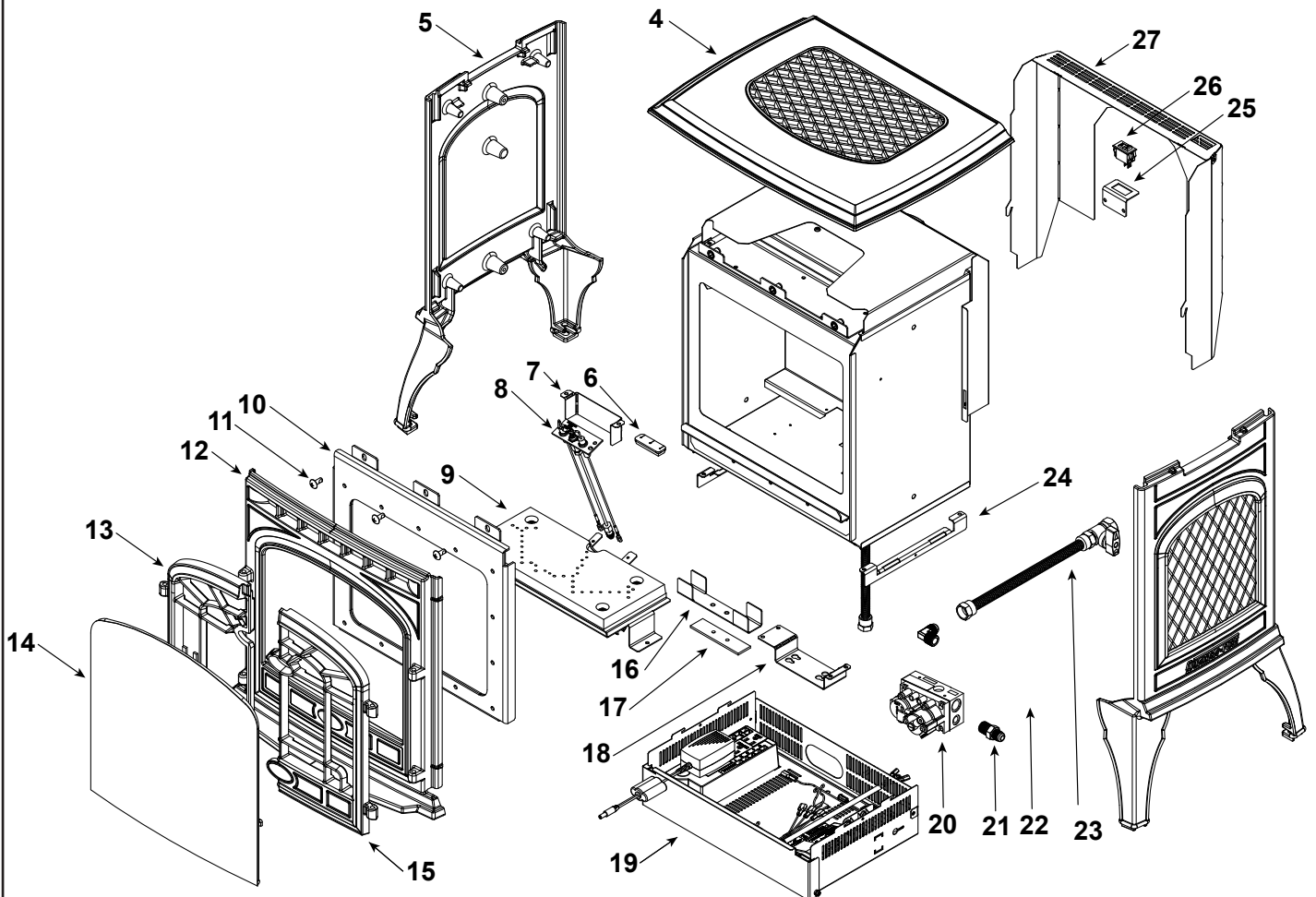
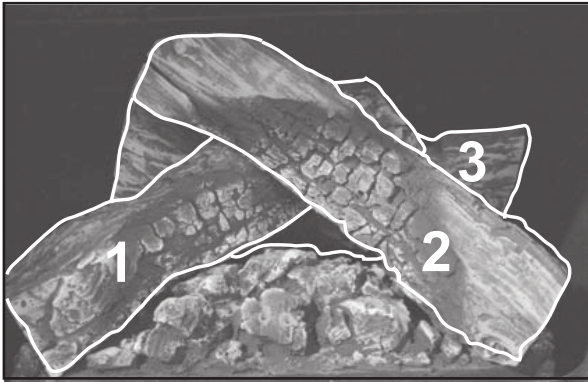


GARN-DCSB-IPI-B	End Manufacturing Date: April 2017
GARN-MBK-IPI-B	End Manufacturing Date: Jan 2020
GARN-DMBK-IPI-B	End Manufacturing Date: April 2017
GARN-DPMH-IPI-B	End Manufacturing Date: April 2017

Log Set Assembly



Part number list on following page.

IMPORTANT: THIS IS DATED INFORMATION. Parts must be ordered from a dealer or distributor. **Hearth and Home Technologies does not sell directly to consumers.** Provide model number and serial number when requesting service parts from your dealer or distributor.

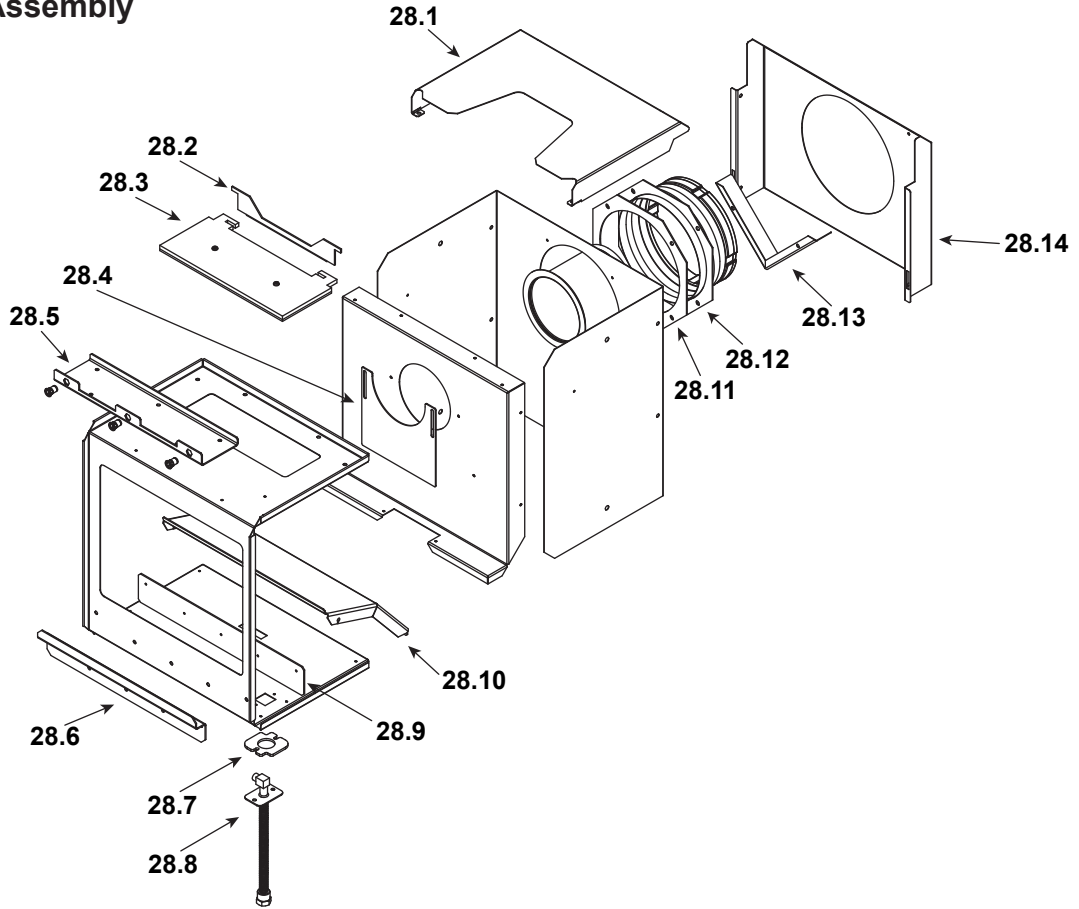


**Stocked
at Depot**

ITEM	DESCRIPTION	COMMENTS	PART NUMBER	
	Log Assembly		LOGS-GARNET	Y
1	Log Left		SRV7016-171	
2	Log Right		SRV7016-170	
3	Log Rear		SRV7016-172	
4	Top	Black	464-0140MBK	
		Sienna Bronze	464-0140CSB	
		Mahogany	464-0140PMH	
5	Side - Powder Coat	Black	7016-109MBK	
		Sienna Bronze	7016-109CSB	
		Mahogany	7016-109PMH	
6	Grommet		SRV2118-420	
7	Pilot Shield		SRV2344-103	
8	Pilot Assembly, NG		SRV2090-012	Y
	Pilot Assembly, LP		2090-013	Y
9	Burner Assembly		SRV2344-007	Y
10	Glass Assembly		GLA2344-019	Y
	Button Head, 1/4-20x5/8 Black	Pkg of 10	1201529-10	
11	Screw, 1/4-20 x 5/8	Pkg of 24	220-0440/24	Y
12	Front Mill	Black	7016-106MBK	
		Sienna Bronze	7016-106CSB	
		Mahogany	7016-106PMH	
13	Door Left	Black	7016-108MBK	
		Sienna Bronze	7016-108CSB	
		Mahogany	7016-108PMH	
14	Screen, Garnet		7016-040	
15	Door Right	Black	7016-107MBK	
		Sienna Bronze	7016-107CSB	
		Mahogany	7016-107PMH	
16	Shutter Assembly		SRV2344-154	
17	Air Shutter Bracket Gasket		2342-159	
18	Valve Bracket		SRV2344-104	
19	Component Tray Assembly		See Following Pages	
20	Valve, IPI, Fixed (NG)		SRV593-500	Y
	Valve, IPI, Fixed (LP)		SRV593-501	Y
21	Male Connector		SRV4021-045	Y
22	Elbow, 3/8	Pkg of 5	303-315/5	Y
23	Ball Valve Assembly, 24"		3-40-2098034	Y
24	Component Tray Bracket	Qty 2 req	SRV2344-151	
25	Switch Bracket		SRV2344-143	
26	On/Off, Switch		SRV32D0232	Y
27	Fan Shroud		SRV2344-140	

Additional service part numbers appear on following page.

28 Firebox Assembly



IMPORTANT: THIS IS DATED INFORMATION. Parts must be ordered from a dealer or distributor. **Hearth and Home Technologies does not sell directly to consumers.** Provide model number and serial number when requesting service parts from your dealer or distributor.

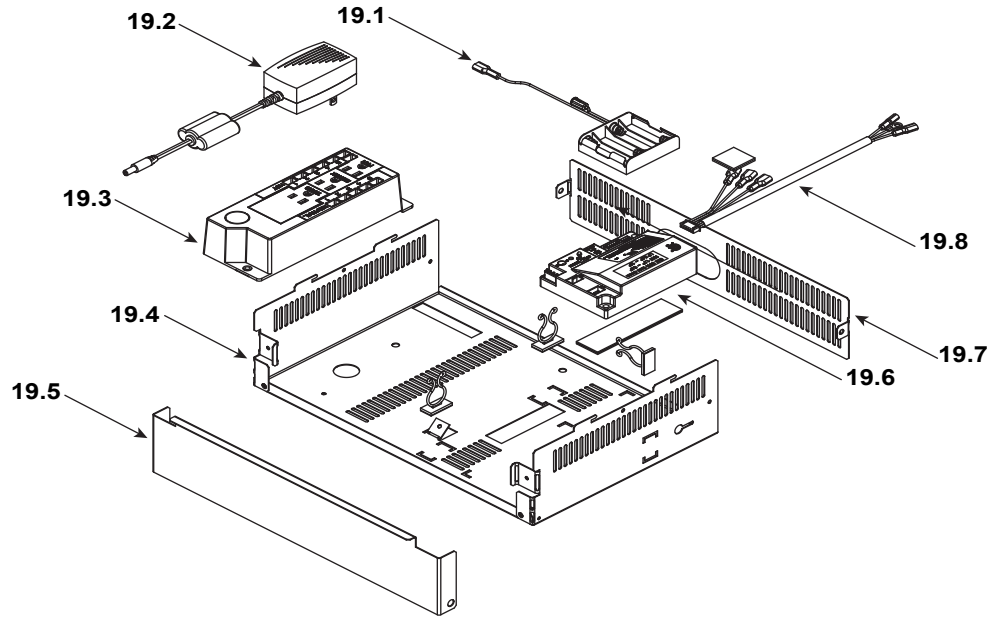


Stocked at Depot

ITEM	DESCRIPTION	COMMENTS	PART NUMBER	
28.1	Blower Shroud Top		SRV2344-118	
28.2	Relief Door Bracket		SRV7016-121	
28.3	Relief Door Assembly		7016-005	
28.4	Flue Restrictor		SRV2344-172	
28.5	Stiffener		SRV2344-129	
28.6	Door Retainer		SRV2344-134	
28.7	Burner Neck Gasket		2025-407	
28.8	Bulkhead		SRV7000-156	Y
28.9	Plate, Support		SRV2344-199	
28.10	Baffle		SRV2344-125	
28.11	Adaptor Gasket		SRV460-0610	
28.12	Starter Collar		SRV2189-002	
28.13	Flue Shield		SRV2344-130	
28.14	Blower Shroud Back		SRV2344-132	

Additional service part numbers appear on following page.

19 Component Tray Assembly



IMPORTANT: THIS IS DATED INFORMATION. Parts must be ordered from a dealer or distributor. **Hearth and Home Technologies does not sell directly to consumers.** Provide model number and serial number when requesting service parts from your dealer or distributor.



Stocked at Depot

ITEM	DESCRIPTION	COMMENTS	PART NUMBER	
19.1	Battery Pack**		SRV2166-323	Y
19.2	Transformer		SRV2326-131	Y
19.3	Junction Box		SRV4021-013	Y
19.4	Component Tray		SRV2344-133	
19.5	Access Door		SRV2344-152	
19.6	Module		SRV2166-338	Y
19.7	Cover, Rear		SRV2344-107	
19.8	Wire Harness		2166-304	Y
	Power Cord		832-2410	
	Leveling Assembly		SRV7000-000	
	Mineral Wool, Bag		050-721	
	Snap Disc Bracket		7009-108	
	Hinge Pin		844-5750	Y
	Orifice, NG (#49)		SRV582-849	Y
	Orifice, LP (#57)		582-857	Y
	Conversion Kit, NG		NGKI-SGS	Y
	Conversion Kit LP		LPKI-SGS	Y
	Pilot Orifice, NG		SRV593-528	Y
	Pilot Orifice, LP		SRV593-527	Y
	Touch Up Paint	Black	3-42-19905	

**Fuse for battery pack can be sourced locally, not a warranty item. Specs are 250v, 1A fuse, 3/4" long