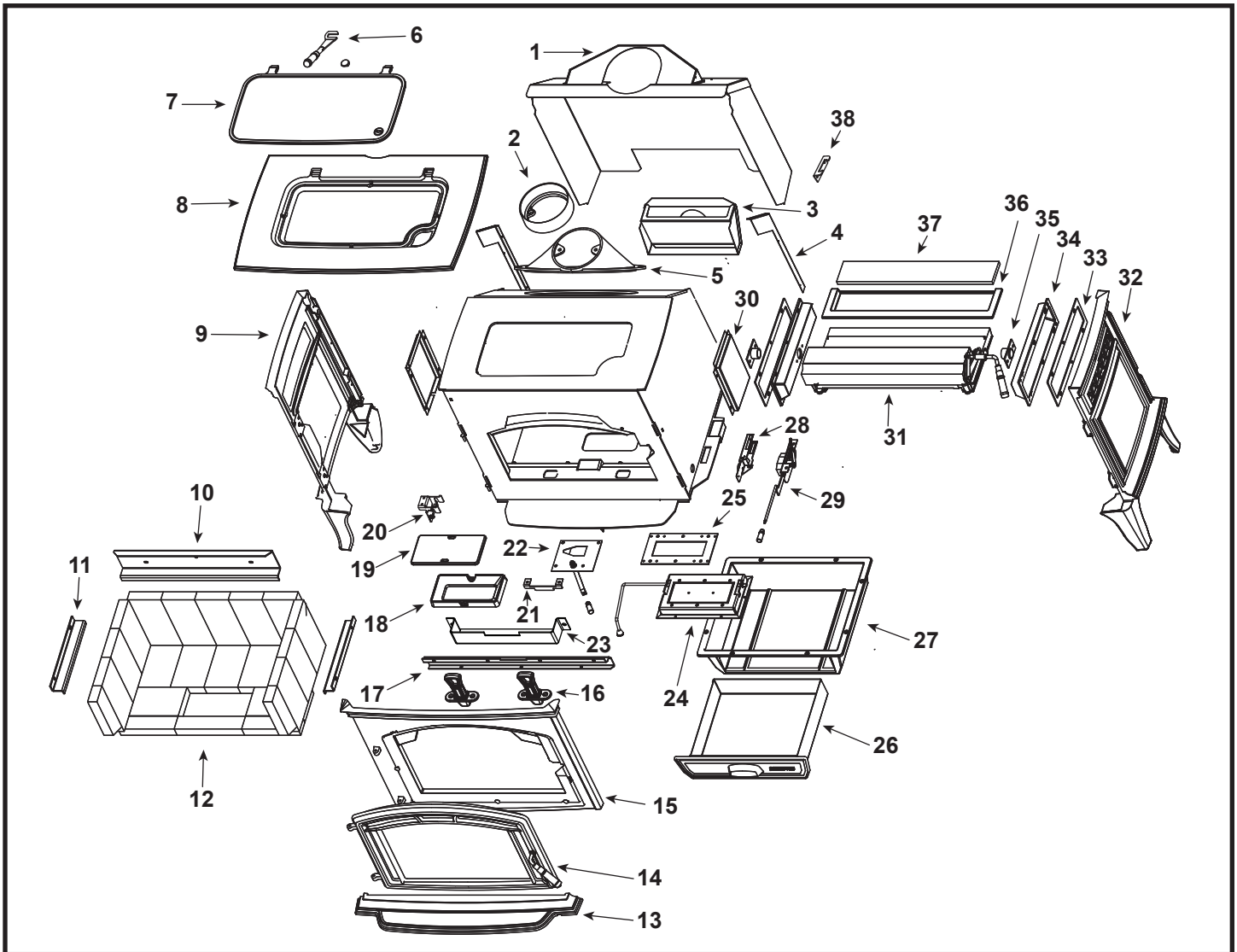


Color	SKU No.	Mfg. Dates
Matte Black	EXPLR-III-MBK	02/15 - 08/19
Porcelain Black	EXPLR-III-PBK	02/15 - 08/19
Porcelain Dark Blue	EXPLR-III-PDB	02/15 - 08/19
Porcelain Frost	EXPLR-III-PFT	02/15 - 08/19
Porcelain Mahogany	EXPLR-III-PMH	02/15 - 08/19



IMPORTANT: THIS IS DATED INFORMATION. Parts must be ordered from a dealer or distributor. **Hearth and Home Technologies does not sell directly to consumers.** Provide model number and serial number when requesting service parts from your dealer or distributor.



Stocked at Depot

ITEM	DESCRIPTION	COMMENTS	PART NUMBER
1	Shroud Assembly		SRV7060-009
2	Flue Collar		SRV7061-201
3	Outside Air Chamber		SRV7061-014
4	Convection Mount Plates	Qty 2 req	SRV7060-197
5	Flue Transition		SRV29138

Additional service part numbers appear on following page.

Beginning Manufacturing Date: Feb 2015
Ending Manufacturing Date: Aug 2019

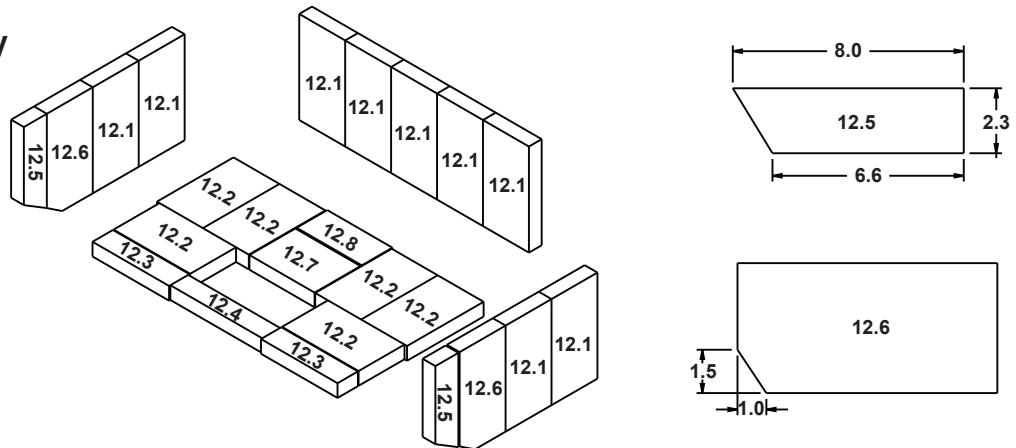
IMPORTANT: THIS IS DATED INFORMATION. Parts must be ordered from a dealer or distributor. **Hearth and Home Technologies does not sell directly to consumers.** Provide model number and serial number when requesting service parts from your dealer or distributor.



Stocked at Depot

ITEM	DESCRIPTION	COMMENTS	PART NUMBER	
6	Top Load Handle Assembly		SRV7060-055	
	Top Load Handle Receiver		SRV7060-257	
7	Lid Assembly		SRV7060-006	
	Gasket, Rope 1/4"		834-1460	Y
8	Top	Matte Black	7060-101MBK	
		Porcelain Mahogany	7060-101PMH	
		Porcelain Dark Blue	7060-101PDB	
		Porcelain Black	7060-101PBK	
		Porcelain Frost	7060-101PFT	
	Gasket, 7/16"		844-3980	Y
9	Side Left	Matte Black	7060-034MBK	
		Porcelain Mahogany	7060-034PMH	
		Porcelain Dark Blue	7060-034PDB	
		Porcelain Black	7060-034PBK	
		Porcelain Frost	7060-034PFT	
10	Rear Brick Retainer		SRV7060-133	
11	Side Brick Retainer	Qty 2 req	SRV7060-193	

#12 Brick Assembly



12	Brick Assembly		SRV7060-017	
12.1	Brick, 9 x 4.5 x 1.25	Qty 9 req		
12.2	Brick, 7.5 x 4.5 x 1.25	Qty 6 req		
12.3	Brick, 7.5 x 2 x 1.25	Qty 2 req		
12.4	Brick, 9 x 1.75 x 1.25	Qty 1 req		
12.5	Brick, 8 x 2.3 x 1.25, Angle Cut	Qty 2 req		
12.6	Brick, 9 x 4.5 x 1.25, Angle Cut	Qty 2 req		
12.7	Brick, 6.3 x 4.5 x 1.25	Qty 1 req		
12.8	Brick, 6.3 x 3 x 1.25	Qty 1 req		
	Brick, Uncut	Single Brick	832-0550	
		Pkg of 6	832-3040	

Additional service part numbers appear on following page.

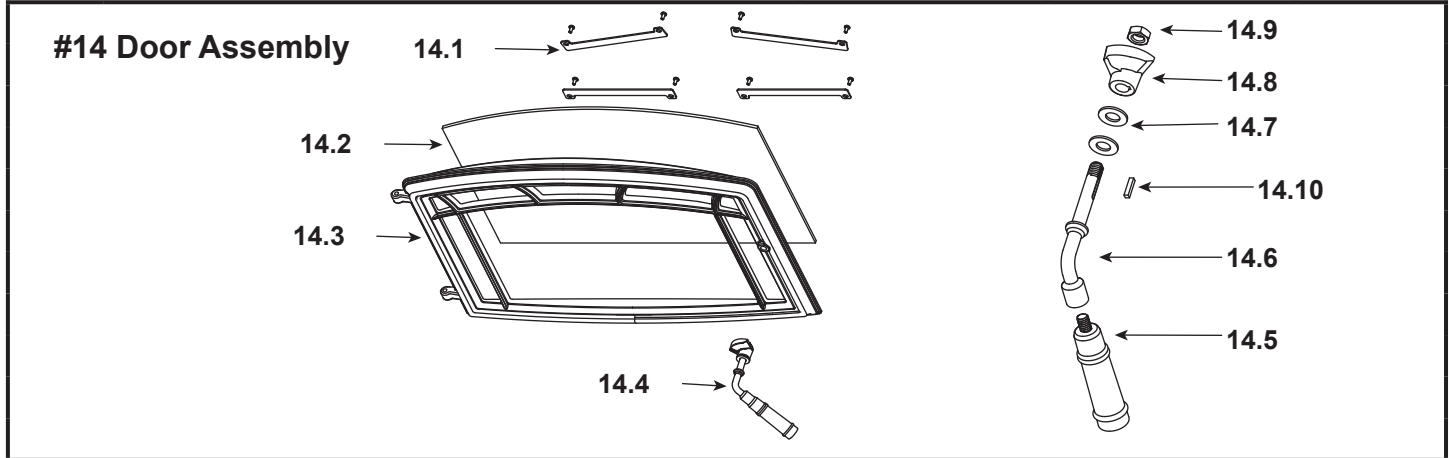
Beginning Manufacturing Date: Feb 2015
Ending Manufacturing Date: Aug 2019

IMPORTANT: THIS IS DATED INFORMATION. Parts must be ordered from a dealer or distributor. **Hearth and Home Technologies does not sell directly to consumers.** Provide model number and serial number when requesting service parts from your dealer or distributor.



Stocked at Depot

ITEM	DESCRIPTION	COMMENTS	PART NUMBER	
13	Ashlip	Matte Black	7060-113MBK	
		Porcelain Mahogany	7060-113PMH	
		Porcelain Dark Blue	7060-113PDB	
		Porcelain Black	7060-113PBK	
		Porcelain Frost	7060-113PFT	



14	Door Assembly	Matte Black	7060-028MBK	
		Porcelain Mahogany	7060-028PMH	
		Porcelain Dark Blue	7060-028PDB	
		Porcelain Black	7060-028PBK	
		Porcelain Frost	7060-028PFT	
	Gasket, Rope 1/4"		240-0290/10	Y
	Hinge Pins (Brushed Nickel)	Pkg of 2	1-00-4331590	Y
14.1	Glass Retainers		SRV7063-166	Y
14.2	Glass Assembly		SRV7060-029	
14.3	Door	Matte Black	7060-204MBK	
		Porcelain Mahogany	7060-204PMH	
		Porcelain Dark Blue	7060-204PDB	
		Porcelain Black	7060-204PBK	
		Porcelain Frost	7060-204PFT	
14.4	Door Handle Assembly		SRV7060-031	Y
14.5	Fiber Handle		SRV7060-212	Y
14.6	Door Handle		SRV7063-137	
14.7	Washer, Sae, 3/8 (3 Ea)	Pkg of 3	832-0990	Y
14.8	Cam Latch		SRV430-1141	
14.9	Nut, 2Wy Side Lock Jam 3	Pkg of 24	226-0100/24	Y
14.10	Key, Cam Latch		SRV430-1151	

Additional service part numbers appear on following page.

IMPORTANT: THIS IS DATED INFORMATION. Parts must be ordered from a dealer or distributor. **Hearth and Home Technologies does not sell directly to consumers.** Provide model number and serial number when requesting service parts from your dealer or distributor.



**Stocked
at Depot**

ITEM	DESCRIPTION	COMMENTS	PART NUMBER	
15	Front	Matte Black	7060-103MBK	
		Porcelain Mahogany	7060-103PMH	
		Porcelain Dark Blue	7060-103PDB	
		Porcelain Black	7060-103PBK	
		Porcelain Frost	7060-103PFT	
	Gasket, 7/16"		844-3980	Y
16	Andirons	2 pcs	SRV7061-020	
17	Front Air Channel		SRV7060-132	
18	ARS Channel		SRV7061-184	
19	ARS Access Cover		SRV7038-196	
20	ARS Latch Assembly	Pre 00706300534	SRV7061-023	
		Post 00706300535	SRV7060-050	
21	Burn Rate Indicator		SRV7061-191	
22	Burn Rate Control		SRV7060-027	
	Handle, Fiber		SRV7060-202	
23	Access Panel		SRV7061-185	
24	ARS Door Assembly	Pre 00706300534	SRV7061-021	
		Post 00706300535	SRV7060-048	
	Handle Cover, Access		SRV7038-197	
	Knob		SRV7000-343	
25	Gasket, ARS		SRV7033-296	Y
26	Ashpan		SRV7060-023	
27	ARS Box		SRV7060-005	
28	Timer Door		SRV7060-040	
29	Timer Assembly		SRV7060-036	
	Timer (Only) Replacement Assembly		SRV480-1940	
30	Secondary Channels	Qty 2 req	SRV7060-208	

Additional service part numbers appear on following page.

IMPORTANT: THIS IS DATED INFORMATION. Parts must be ordered from a dealer or distributor. **Hearth and Home Technologies does not sell directly to consumers.** Provide model number and serial number when requesting service parts from your dealer or distributor.



Stocked at Depot

ITEM	DESCRIPTION	COMMENTS	PART NUMBER	
#31 Baffle Assembly				
31	Baffle Assembly		SRV7060-025	
31.1	Baffle Cover Top (Includes Insulation Blanket)		SRV7060-238	
31.2	Baffle Blanket		SRV7060-233	Y
31.3	Baffle Plate		SRV7060-205	
31.4	Baffle Board		SRV7060-148	Y
31.5	Secondary Tubes	Qty 3 req	SRV7060-226	Y
31.6	Baffle Cover Plates		SRV7060-206	
31.7	Baffle Linkage		SRV7060-044	
31.8	Baffle Door Handle		SRV7060-217	
32	Side Right	Matte Black	7060-033MBK	
		Porcelain Mahogany	7060-033PMH	
		Porcelain Dark Blue	7060-033PDB	
		Porcelain Black	7060-033PBK	
		Porcelain Frost	7060-033PFT	
33	Manifold Gaskets	Qty 2 req	SRV7060-221	
34	Air Supply Chambers	Right and Left	SRV7060-189	
35	Pivot Tube Assemblies	Qty 2 req	SRV7060-018	
36	Rear Baffle Plate		SRV7060-201	
37	Baffle Board Rear		SRV7060-213	
38	Top Load Handle Hanger		SRV7060-262	

Additional service part numbers appear on following page.

