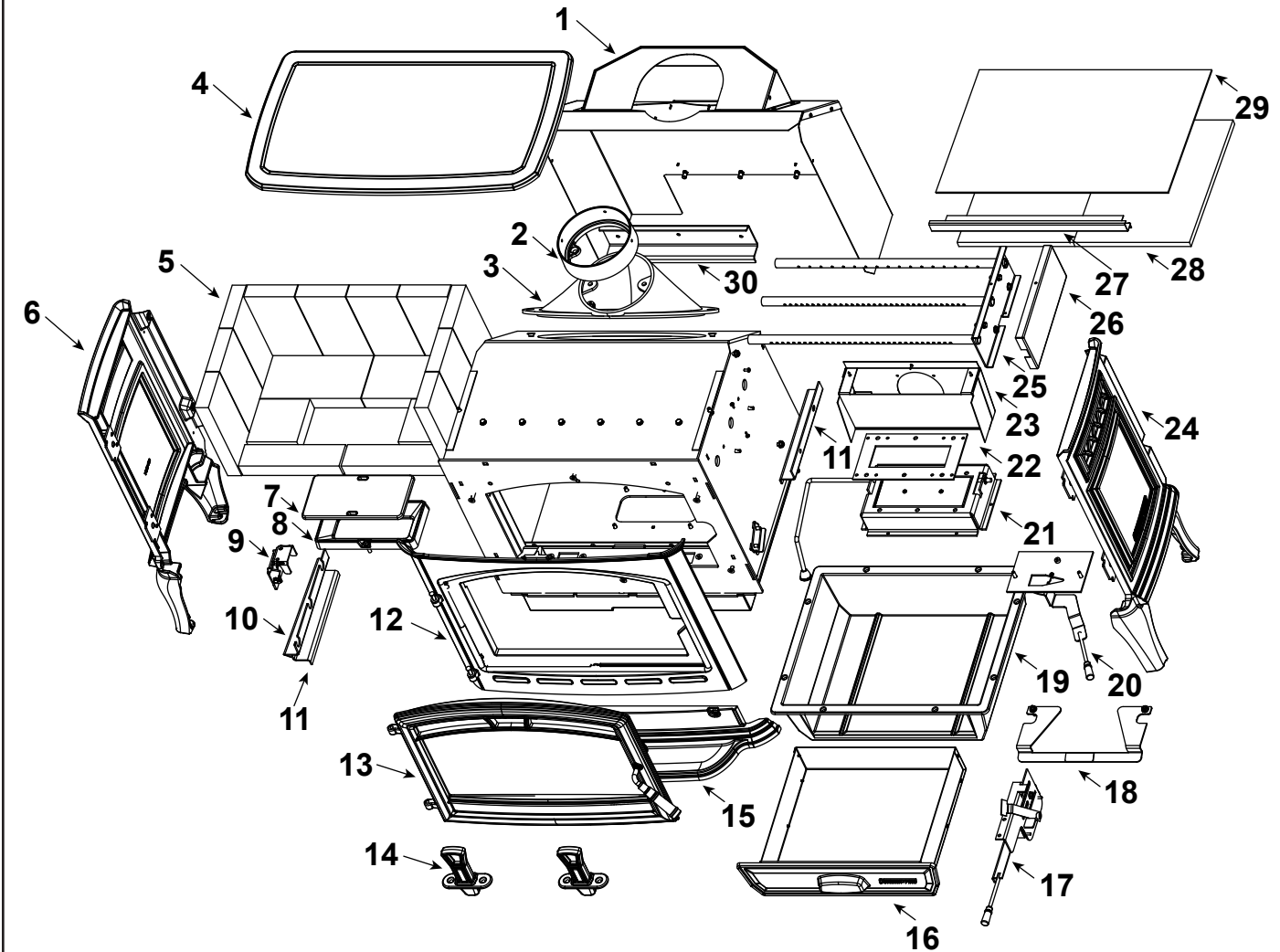


Wood Stove

Beginning Manufacturing Date: Nov 2015
Ending Manufacturing Date: Aug 2019

| Color | SKU No. | Mfg. Dates |
|---------------------|-------------|---------------|
| Matte Black | EXPLR-I-MBK | 11/15 - 08/19 |
| Porcelain Black | EXPLR-I-PBK | 11/15 - 08/19 |
| Porcelain Dark Blue | EXPLR-I-PDB | 11/15 - 08/19 |
| Porcelain Frost | EXPLR-I-PFT | 11/15 - 08/19 |
| Porcelain Mahogany | EXPLR-I-PMH | 11/15 - 08/19 |



Beginning Manufacturing Date: Nov 2015
Ending Manufacturing Date: Aug 2019

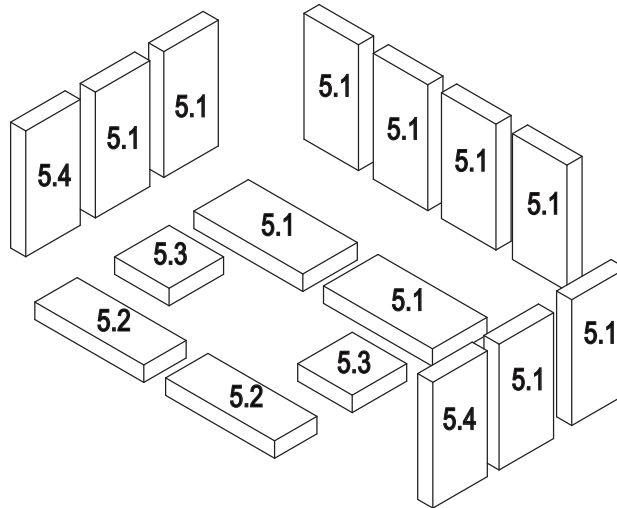
IMPORTANT: THIS IS DATED INFORMATION. Parts must be ordered from a dealer or distributor. **Hearth and Home Technologies does not sell directly to consumers.** Provide model number and serial number when requesting service parts from your dealer or distributor.



Stocked at Depot

| ITEM | DESCRIPTION | COMMENTS | PART NUMBER |
|------|--------------------------|--------------------|-------------|
| 1 | Rear Shroud Assembly | | SRV7062-010 |
| 2 | Flue Collar | | SRV7061-201 |
| 3 | Flue Transition Assembly | | SRV29138 |
| 4 | Top | Matte Black | 7062-101MBK |
| | | Porcelain Black | 7062-101PBK |
| | | Porcelain Blue | 7062-101PDB |
| | | Porcelain Frost | 7062-101PFT |
| | | Porcelain Mahogany | 7062-101PMH |

#5 Brick Assembly



| | | | |
|-----|--|--------------------|-------------|
| 5 | Brick Assembly | | SRV7062-004 |
| 5.1 | Brick #1, 9 X 4.5 X 1.25 | Qty 10 req | |
| 5.2 | Brick #2, 9 x 2.5 x 1.25 | Qty 2 req | |
| 5.3 | Brick #3, 4.5 x 4.5 x 1.25 | Qty 2 req | |
| 5.4 | Brick #4, 9 X 3.75 X 1.25 | Qty 2 req | |
| | Brick, Uncut (Must specify size when ordering) | Pkg of 1 | 832-0550 |
| | | Pkg of 6 | 832-3040 |
| 6 | Side Left | Matte Black | 7062-019MBK |
| | | Porcelain Black | 7062-019PBK |
| | | Porcelain Blue | 7062-019PDB |
| | | Porcelain Frost | 7062-019PFT |
| | | Porcelain Mahogany | 7062-019PMH |
| 7 | ARS Access Cover | | SRV7038-196 |
| 8 | ARS Channel | | SRV7061-184 |
| 9 | ARS Latch Assembly | | SRV7062-034 |

Additional service part numbers appear on following page.

Beginning Manufacturing Date: Nov 2015
Ending Manufacturing Date: Aug 2019

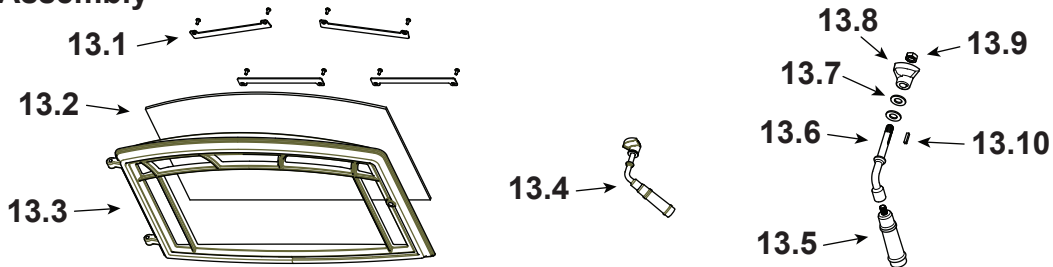
IMPORTANT: THIS IS DATED INFORMATION. Parts must be ordered from a dealer or distributor. **Hearth and Home Technologies does not sell directly to consumers.** Provide model number and serial number when requesting service parts from your dealer or distributor.



Stocked at Depot

| ITEM | DESCRIPTION | COMMENTS | PART NUMBER | |
|------|---------------------|--------------------|-------------|--|
| 10 | Tube Rack | | SRV7062-139 | |
| 11 | Side Brick Retainer | | SRV7062-138 | |
| 12 | Front | Matte Black | 7062-103MBK | |
| | | Porcelain Black | 7062-103PBK | |
| | | Porcelain Blue | 7062-103PDB | |
| | | Porcelain Frost | 7062-103PFT | |
| | | Porcelain Mahogany | 7062-103PMH | |
| | Gasket 1/2" | | 7000-811 | |
| 13 | Door Assembly | Matte Black | 7062-003MBK | |
| | | Porcelain Black | 7062-003PBK | |
| | | Porcelain Blue | 7062-003PDB | |
| | | Porcelain Frost | 7062-003PFT | |
| | | Porcelain Mahogany | 7062-003PMH | |

#13 Door Assembly



| | | | | |
|-------|--------------------------|--------------------|-------------|---|
| 13.1 | Glass Retainers | | SRV7063-166 | |
| 13.2 | Glass Assembly | | SRV7062-013 | Y |
| 13.3 | Door | Matte Black | 7062-109MBK | |
| | | Porcelain Black | 7062-109PBK | |
| | | Porcelain Blue | 7062-109PDB | |
| | | Porcelain Frost | 7062-109PFT | |
| | | Porcelain Mahogany | 7062-109PMH | |
| 13.4 | Door Handle Assembly | | SRV7063-014 | Y |
| 13.5 | Fiber Handle | | SRV7060-212 | Y |
| 13.6 | Door Handle | | SRV7063-137 | |
| 13.7 | Washer, Sae, 3/8 (3 Ea) | Pkg of 3 | 832-0990 | Y |
| 13.8 | Cam Latch | | SRV430-1141 | |
| 13.9 | Nut, 2Wy Side Lock Jam 3 | Pkg of 24 | 226-0100/24 | Y |
| 13.10 | Key, Cam Latch | | SRV430-1151 | |
| 14 | Andirons | 2 Sets | SRV7061-020 | |

Additional service part numbers appear on following page.

IMPORTANT: THIS IS DATED INFORMATION. Parts must be ordered from a dealer or distributor. **Hearth and Home Technologies does not sell directly to consumers.** Provide model number and serial number when requesting service parts from your dealer or distributor.



Stocked at Depot

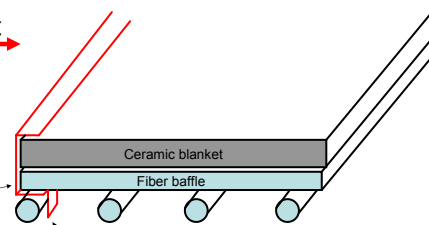
| ITEM | DESCRIPTION | COMMENTS | PART NUMBER | |
|------|-----------------------------------|--------------------|-------------|---|
| 15 | Ashlip | Matte Black | 7062-113MBK | |
| | | Porcelain Black | 7062-113PBK | |
| | | Porcelain Blue | 7062-113PDB | |
| | | Porcelain Frost | 7062-113PFT | |
| | | Porcelain Mahogany | 7062-113PMH | |
| 16 | Ashpan | | SRV7060-023 | |
| 17 | Timer Assembly | | SRV7062-025 | |
| | Handle, Fiber | | SRV7060-202 | |
| | Timer (Only) Replacement Assembly | | SRV480-1940 | Y |
| 18 | Burn Rate Indicator | | SRV7062-174 | |
| 19 | ARS Box | | SRV7060-005 | |
| 20 | Burn Rate Control | | SRV7062-023 | |
| | Handle, Fiber | | SRV7060-202 | |
| 21 | ARS Assembly | | SRV7062-035 | |
| | Handle Cover, Access | | SRV7038-197 | |
| | Knob | | SRV7000-343 | |
| 22 | Gasket, ARS | | SRV7033-296 | Y |
| 23 | Outside Air Chamber | | SRV7062-173 | |
| 24 | Side Right | Matte Black | 7062-018MBK | |
| | | Porcelain Black | 7062-018PBK | |
| | | Porcelain Blue | 7062-018PDB | |
| | | Porcelain Frost | 7062-018PFT | |
| | | Porcelain Mahogany | 7062-018PMH | |
| 25 | Tube Channel | | SRV7062-017 | Y |
| 26 | Tube Chanel cover | | SRV7062-148 | |

#27 Baffle Protection Channel

Side view

Front, looking into unit →

Baffle protection channel sits in between front tube and fiber baffle



This tab sits behind the front tube

| | | | | |
|----|---------------------------|--------|-------------|---|
| 27 | Baffle Protection Channel | | SRV7062-149 | Y |
| 28 | Baffle Board | 2 pcs. | SRV7062-132 | Y |
| 29 | Baffle Blanket | | SRV7062-133 | Y |
| 30 | Rear Brick Retainer | | SRV7062-137 | |

Additional service part numbers appear on following page.

Beginning Manufacturing Date: Nov 2015
Ending Manufacturing Date: Aug 2019

IMPORTANT: THIS IS DATED INFORMATION. Parts must be ordered from a dealer or distributor. **Hearth and Home Technologies does not sell directly to consumers.** Provide model number and serial number when requesting service parts from your dealer or distributor.



**Stocked
at Depot**

| ITEM | DESCRIPTION | COMMENTS | PART NUMBER | |
|--------------------|--|---------------------|---------------|---|
| | Component Pack (Includes Baffle Diverter and Instructions, 2 Leg Leveling Nuts & 2 Bolts, Touch-Up Paint, Owners Manual & Warranty Card) | No longer available | SRV7062-027 | |
| | | No longer available | SRV7062-028 | |
| | | No longer available | SRV7062-029 | |
| | | No longer available | SRV7062-030 | |
| | | No longer available | SRV7062-031 | |
| | Leveling Assembly | | SRV7000-000 | |
| | Paint Touch-Up | Matte Black | 812-0910 | |
| | | Porcelain Black | 1-00-0022 | |
| | | Porcelain Blue | 1-00-0020 | |
| | | Porcelain Frost | 1-00-0021 | |
| | | Porcelain Mahogany | 1-00-0014 | |
| ACCESSORIES | | | | |
| | Blower Assembly | | BK-ACC | |
| | Blower Control Box W/Switch | | SRV7000-194 | Y |
| | Component Pack | | 7033-051 | |
| | Magnet Round | | SRV7000-140 | Y |
| | Snap Disc Bracket Assembly | | SRV7033-036 | |
| | Snap Disc, # 1, Convection Blower | | SRV230-0470 | Y |
| | Speed Control Only (Rheostat) | | 842-0370 | Y |
| | Wire Harness (Blower) | | 7033-262 | |
| | Blower, Convection | Blower Only | 812-4900 | Y |
| | Outside Air Kit, Floor & Rear | | OAK-ACC | |
| | Outside Air Collar Assembly | | SRV7033-039 | |
| | Outside Air Shield | | SRV33271 | Y |
| | Firescreen | | SCR-7062 | |
| FASTENERS | | | | |
| | Avk Rivnut Repair Kit - 1/4-20 & 3/8-16 Rivnut Tools | | RIVNUT-REPAIR | Y |
| | Nut, Ser Flange Small 1/4-20 | Pkg of 24 | 226-0130/24 | Y |
| | Screw, Pan Head Philips 8-32 X 3/8 | Pkg of 40 | 225-0500/40 | Y |
| | Screw, Pan Head CTS 5/16 | Pkg of 10 | 32274/10 | |
| | Screw, Sheet Metal #8 X 1/2 S-Grip | Pkg of 40 | 12460/40 | Y |
| | Washer, 1/4 Sae | Pkg of 24 | 28758/24 | Y |