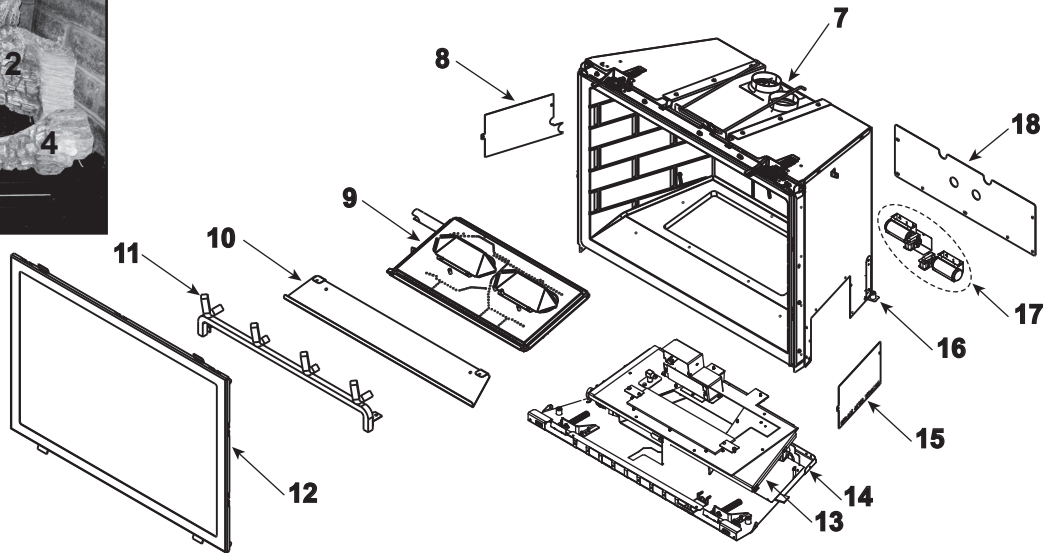


Log Set Assembly



IMPORTANT: THIS IS DATED INFORMATION. Parts must be ordered from a dealer or distributor. **Hearth and Home Technologies does not sell directly to consumers.** Provide model number and serial number when requesting service parts from your dealer or distributor.

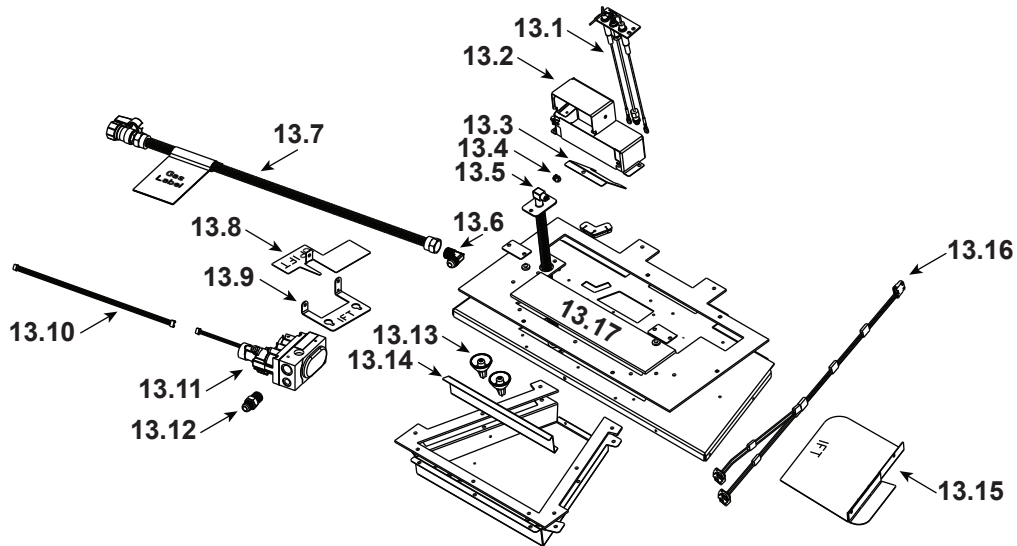


Stocked
at Depot

ITEM	DESCRIPTION	COMMENTS	PART NUMBER	
	Log Assembly		LOGS-I30FB	Y
1	Log 1		SRV2201-702	
2	Log 2		SRV2201-701	
3	Log 3		SRV2201-704	
4	Log 4		SRV2201-705	
5	Log 5		SRV2201-703	
6	Log 6		SRV2201-706	
7	Termination Plate Assembly		2201-012	
	Gasket, Termination Plate		2201-401	
	Slide Plate Handle		2019-201	
8	Left Side Cover, Plate		2550-129	
9	Burner Assembly		SRV2201-009	Y
	Media Tray, Mesh		2201-138	
10	Media Tray		2201-112	
11	Grate Assembly		SRV2201-016	
12	Glass Door Assembly		GLA-30FB	Y
13	Valve Assembly		Refer to valve page	
14	Bottom Assembly		Refer to valve page	
15	Right Side Cover, Plate		2550-130	
16	RIV-NUT Bracket Assembly	Qty 2 req	2201-027	
17	Fan Kit		GFK-210-C	Y
18	Cover Plate, Back		2550-104	

Additional service part numbers on following page.

#13 Valve Assembly



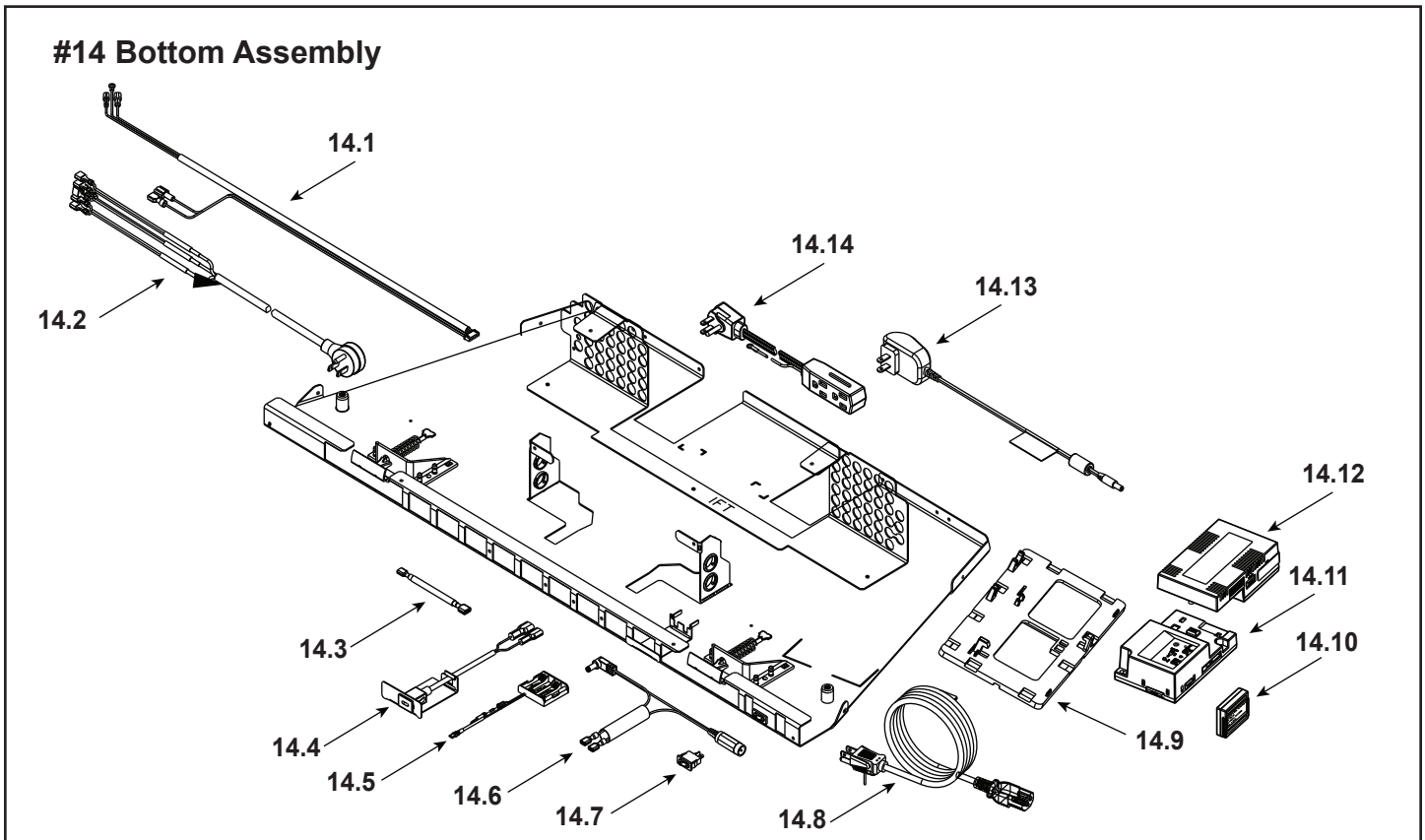
IMPORTANT: THIS IS DATED INFORMATION. Parts must be ordered from a dealer or distributor. **Hearth and Home Technologies does not sell directly to consumers.** Provide model number and serial number when requesting service parts from your dealer or distributor.



Stocked
at Depot

ITEM	DESCRIPTION	COMMENTS	PART NUMBER	
13.1	Pilot Assembly NG		2550-013	Y
	Pilot Assembly, Propane		2550-014	Y
	3-Hole Grommet		2201-420	
13.2	Pilot Bracket Assembly		2201-025	
13.3	Air Scoop		2201-156	
13.4	Burner Orifice NG (#33C)		582-833	Y
	Burner Orifice Propane (#50C)		582-850	Y
13.5	Flex Assembly		4021-428	
13.6	Elbow, 3/8 Flare		SRV4021-045	
13.7	Flex Ball Valve Assembly		2201-108	Y
13.8	Shield, Stepper Motor		2550-168	
13.9	Valve Bracket		2550-108	
13.10	Extension Wire, Stepper Motor		2550-753	Y
13.11	Valve NG		SRV2166-302	Y
	Valve Propane		2166-303	Y
13.12	Male Connector	Pkg of 5	303-315/5	
13.13	Ember Bulb, 50 Watt	Qty 2 req	2201-150	Y
13.14	Air Passage Divider		2201-144	
13.15	Shield, Component Heat		2550-167	
13.16	Light Wire Assembly		2532-017	Y
13.17	Ember Glass		2201-115	Y

Additional service part numbers on following page.



IMPORTANT: THIS IS DATED INFORMATION. Parts must be ordered from a dealer or distributor. **Hearth and Home Technologies does not sell directly to consumers.** Provide model number and serial number when requesting service parts from your dealer or distributor.



Stocked at Depot

ITEM	DESCRIPTION	COMMENTS	PART NUMBER	
14.1	IFT Wire Harness		2550-301	Y
14.2	Wire Assembly		2550-068	Y
14.3	Fuse Wire Assembly	Pre LC4954115	2206-085	Y
14.4	USB-C and Mounting Plate Assembly		2550-126	Y
14.5	Battery Pack**	Pre LC5489112	SRV2326-134	Y
		Post LC5489112	SRV2326-142	Y
14.6	Reset Switch Wire		2550-135	Y
14.7	Reset Switch	Pre LC5115607	SRV2206-299	Y
		Post LC5115607	SRV2206-298	Y
14.8	Cable, B Type AC Module		SRV2326-152	Y
14.9	Component Tray		2279-185	
14.10	Module, RF FCC		SRV2326-120	Y
14.11	Module, IFT Control		SRV2326-130	Y
14.12	Module, B Type AC		SRV2326-150	Y
14.13	Transformer, 6 Volt Wall		SRV2326-131	Y
14.14	Power Cord		2201-024	Y

**Fuse for battery pack can be sourced locally, not a warranty item. Specs are 250v, 3A fuse, 3/4" long

Additional service part numbers on following page.

