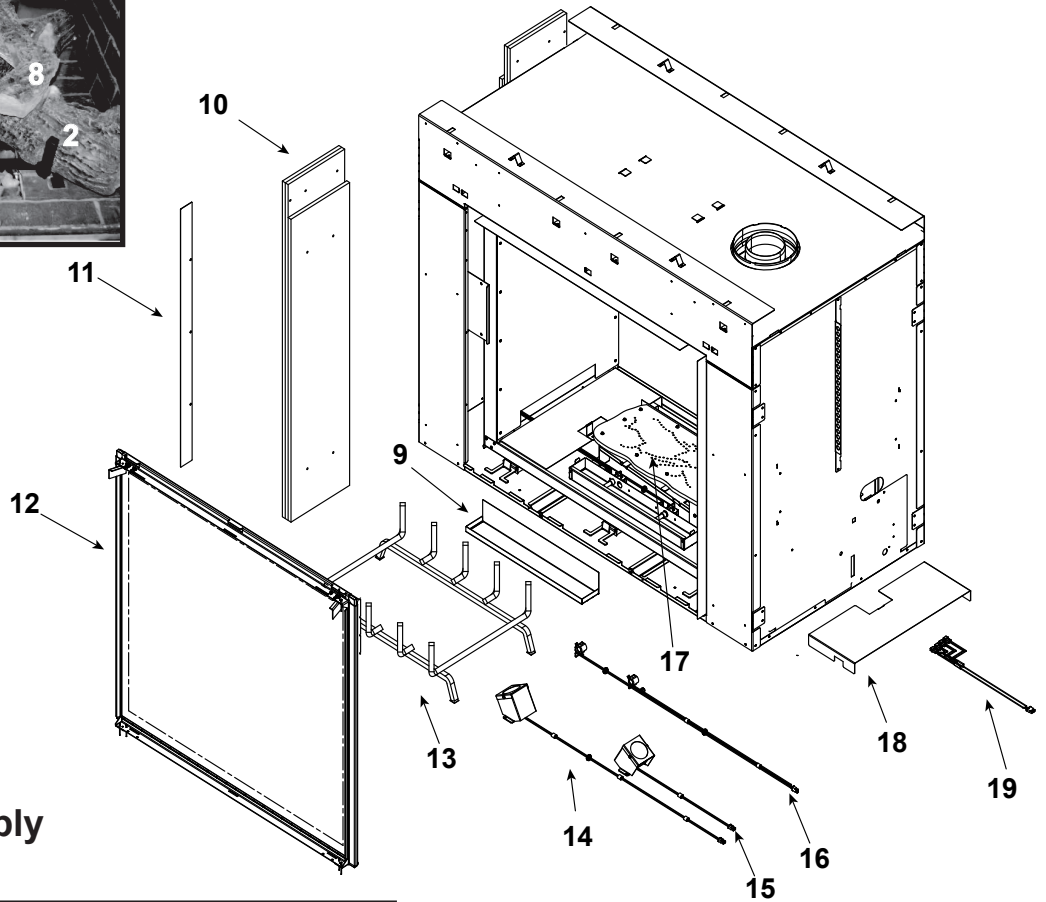
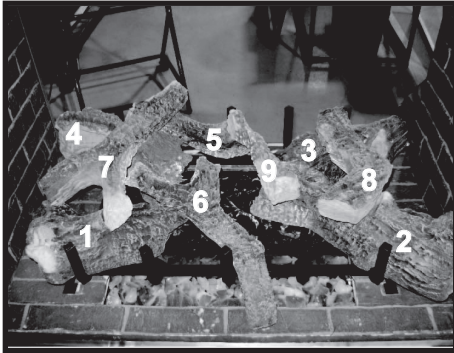
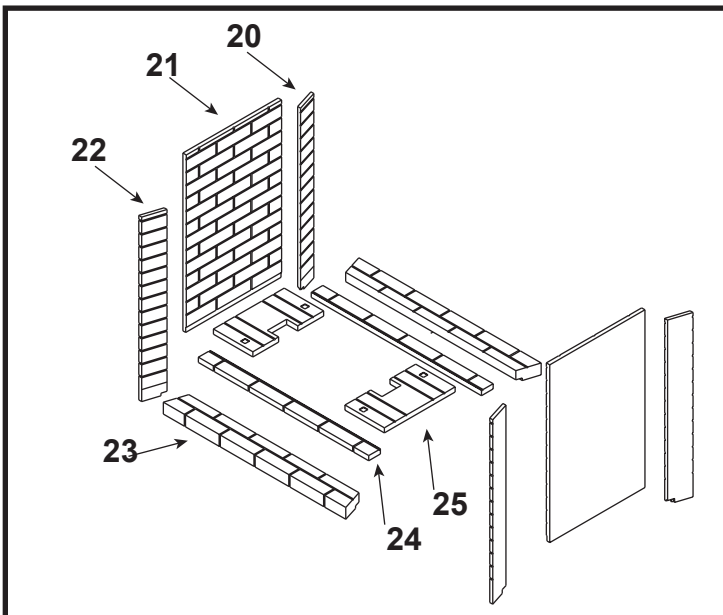


Log Set Assembly



Refractory Assembly



Part number list on following page.



No one builds a better fire

Beginning Manufacturing Date: Dec 2008

Ending Manufacturing Date: Feb 2017

IMPORTANT: THIS IS DATED INFORMATION. Parts must be ordered from a dealer or distributor. **Hearth and Home Technologies does not sell directly to consumers.** Provide model number and serial number when requesting service parts from your dealer or distributor.

Stocked at Depot

ITEM	DESCRIPTION	COMMENTS	PART NUMBER	
	Log Set Assembly		LOGS-ESC42ST	Y
1	Log 1	Pre 5/15/16, Must order complete assembly	SRV2146-701	
2	Log 2		SRV2146-702	
3	Log 3		SRV2146-703	
4	Log 4		SRV2146-704	
5	Log 5		SRV2146-705	
6	Log 6		SRV2146-706	
7	Log 7		SRV2146-707	
8	Log 8		SRV2146-708	
9	Light Box Mesh Assembly	Qty 2 req	2146-016	
10	Non-combustible Board	Qty 2 req	2146-051	
11	Finishing Strips	Qty 6 req	2146-129	
12	Glass Door Assembly	Qty 2 req	GLA-ESC42ST	Y
	Mesh Assembly (Pre Jan 2015)	Qty 2 req	2146-031	
13	Log Grate		SRV2146-015	
14	Light Assembly Accent	35"	2146-013	
15	Light Assembly Accent	17"	2146-014	
16	Light Assembly, Ember		2146-404	
17	Burner		2146-007	Y
18	Refractory Support	Qty 2 req	2146-152	
19	Light Wire Connectors		2146-407	
20	Refractory Panel- Outside Right	Qty 2 req	SRV2146-314	
21	Refractory Panel- Inside Side	Qty 2 req	SRV2146-311	
22	Refractory Panel - Outside Left	Qty 2 req	SRV2146-315	
23	Refractory Panel-Outside Bottom	Qty 2 req	SRV2146-316	
24	Refractory Panel-Inside Front	Qty 2 req	SRV2146-312	
25	Refractory Panel-Inside Middle	Qty 2 req	SRV2146-313	
	Panel Bracket	Left	2146-175	
		Right	2146-176	
	Bulb, Halogen, Accent	Qty 2 req	2088-136	Y
	Bulb, Halogen, Ember	Qty 2 req	2146-540	Y
	Access Plate, Junction Box		2146-169	
	Fiberglass Rope		060-455	
	Flue Restrictor		2146-158	
	Mineral Wool		050-721	
	Teco-Sil, 5lb. Bag White Ember Bed Rock		SRV700-790	
	Touch Up Paint		TUP-GBK-12	
	Twig Center		SRV582-707	
	Vermiculite Embers		MYSTIC-EMBERS	
	Firescreen, 42"	Black	FS-42STIFT-BK	
	Arch Firescreen, 42"	Black	FSA-42STIFT-BK	

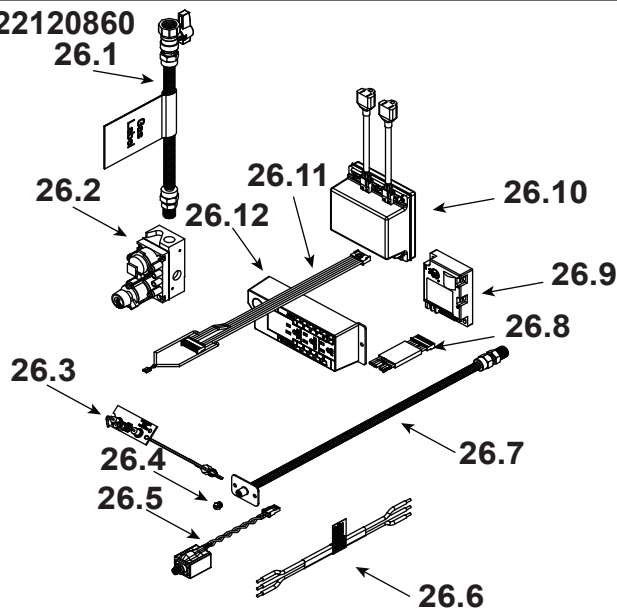
Additional service part numbers appear on following page.

No one builds a better fire

Beginning Manufacturing Date: Dec 2008

Ending Manufacturing Date: Feb 2017

#26 Valve Assembly Pre SN 0022120860



IMPORTANT: THIS IS DATED INFORMATION. Parts must be ordered from a dealer or distributor. **Hearth and Home Technologies does not sell directly to consumers.** Provide model number and serial number when requesting service parts from your dealer or distributor.

**Stocked
at Depot**

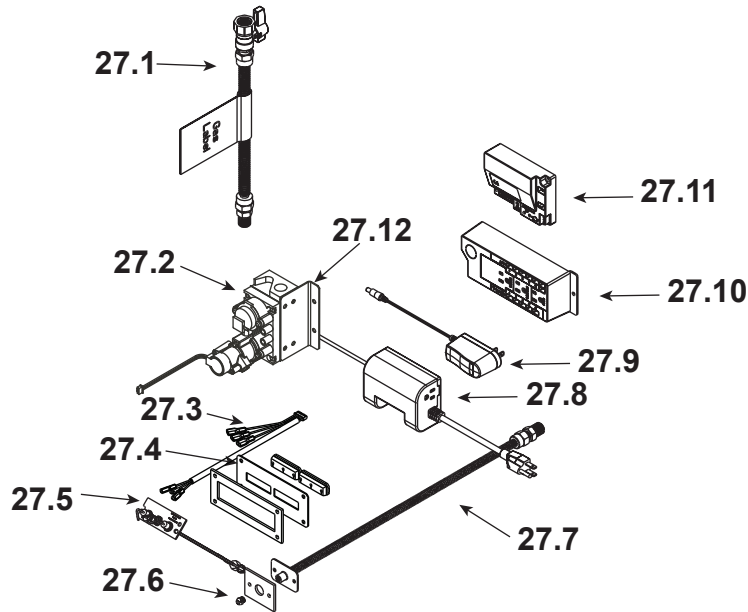
ITEM	DESCRIPTION	COMMENTS	PART NUMBER	
26.1	Flex Ball Valve Assembly		SRV302-320	Y
26.2	Valve NG	Pre 0022120860	750-500	Y
	Valve LP	Pre 0022120860	750-501	Y
26.3	Pilot Assembly NG		2457-020	Y
	Pilot Assembly LP	Convert 2457-020 with 593-527		
26.4	Burner Orifice (#24C) NG		582-824	Y
	Burner Orifice (#44C) LP		582-844	Y
26.5	Solenoid	No longer available	2101-029	
26.6	Wire, Wall Switch	Pre 0022120860	SRV2095-550	Y
26.7	Flexible Gas Connector		2005-009	Y
26.8	Wire Assembly	Pre 0022120860	SRV593-590	Y
26.9	Module		SRV593-592	Y
26.10	Remote	No longer available	2101-025	
26.11	Cable Assembly	No longer available	2101-027	
26.12	Junction Box		SRV4021-013	Y
	Wall Control Assembly Upgrade	Pre 0022120860	WSK-MLT-GLX	Y
	Conversion Kit NG	No longer available	NGK-ESC42ST	
	Conversion Kit LP	No longer available	LPK-ESC42ST	
	Pilot Orifice (NG)		SRV593-528	Y
	Pilot Orifice (LP)		SRV593-527	Y
	Regulator (NG)	Pre 0022120860	SRVNGK-DXV	Y
	Regulator (LP)	Pre 0022120860	SRVLPK-DXV	Y

Additional service part numbers appear on following page.

No one builds a better fire

Beginning Manufacturing Date: Dec 2008
Ending Manufacturing Date: Feb 2017

#27 Valve Assembly Post SN 0022120860



IMPORTANT: THIS IS DATED INFORMATION. Parts must be ordered from a dealer or distributor. **Hearth and Home Technologies does not sell directly to consumers.** Provide model number and serial number when requesting service parts from your dealer or distributor.

**Stocked
at Depot**

ITEM	DESCRIPTION	COMMENTS	PART NUMBER	
27.1	Flex Ball Valve Assembly		SRV302-320	Y
27.2	Valve NG	Post 0022120860	SRV2166-302	Y
	Valve LP	Post 0022120860	2166-303	Y
27.3	Wire Harness	Post 0022120860	2166-304	Y
27.4	Side Panel Bracket	Post 0022120860	2146-150	
27.5	Pilot Assembly NG		2457-020	Y
	Pilot Assembly LP	Convert 2457-020 with SRV593-527		Y
27.6	Burner Orifice (#24C) NG		582-824	Y
	Burner Orifice (#44C) LP		582-844	Y
27.7	Flexible Gas Connector		2005-009	Y
27.8	Aux RC300	Post 0022120860	SRV2166-335	Y
27.9	Transformer, 6 Volt Wall	Post 0022120860	SRV2326-131	Y
27.10	Junction Box		SRV4021-013	Y
27.11	Module	Post 0022120860	SRV2166-338	Y
27.12	Valve Bracket	Post 0022120860	2146-192	
	Remote	Post 0022120860	2166-330	Y
	Conversion Kit NG	Post 0022120860	NGK-ESC42ST-B	
	Conversion Kit LP	Post 0022120860	LPK-ESC42ST-B	
	Pilot Orifice (NG)		SRV593-528	Y
	Pilot Orifice (LP)		593-527	Y
	Regulator (NG)	Post 0022120860	NGK-DXV-50	Y
	Regulator (LP)	Post 0022120860	SRVLPK-DXV-50	Y