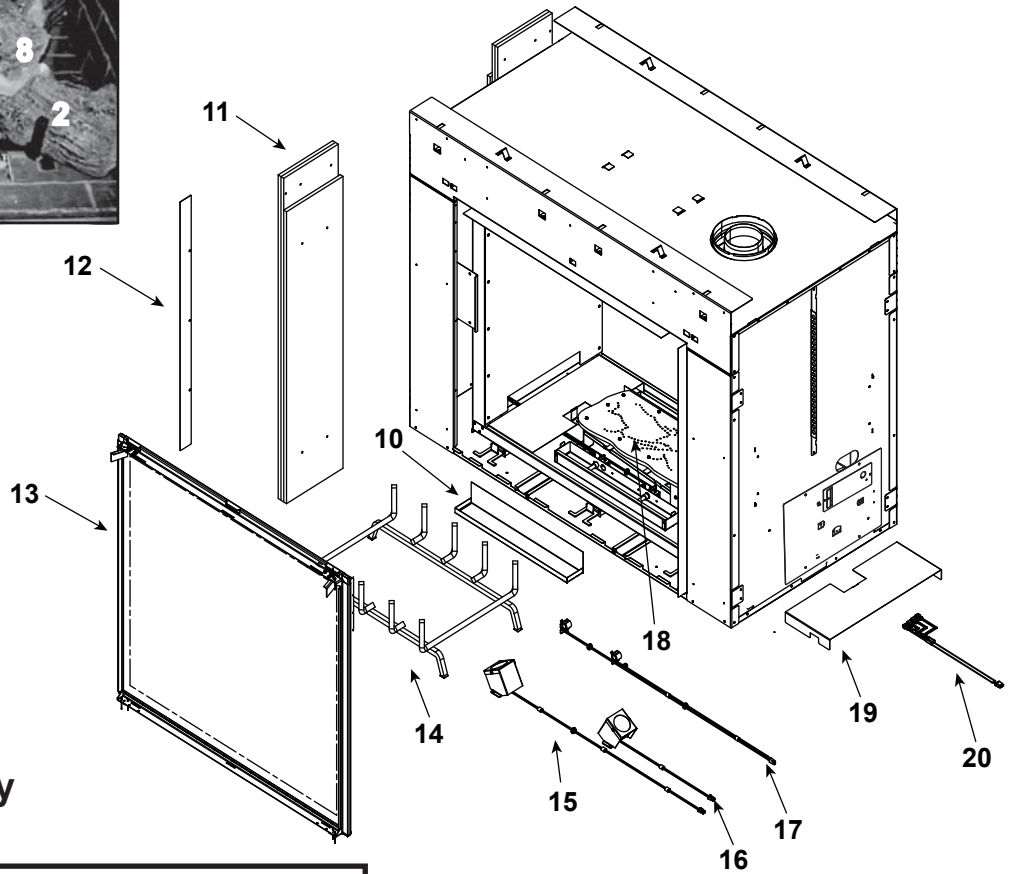
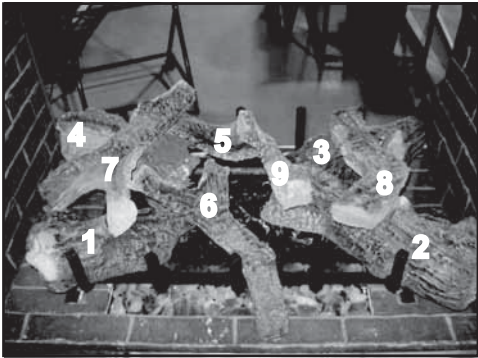
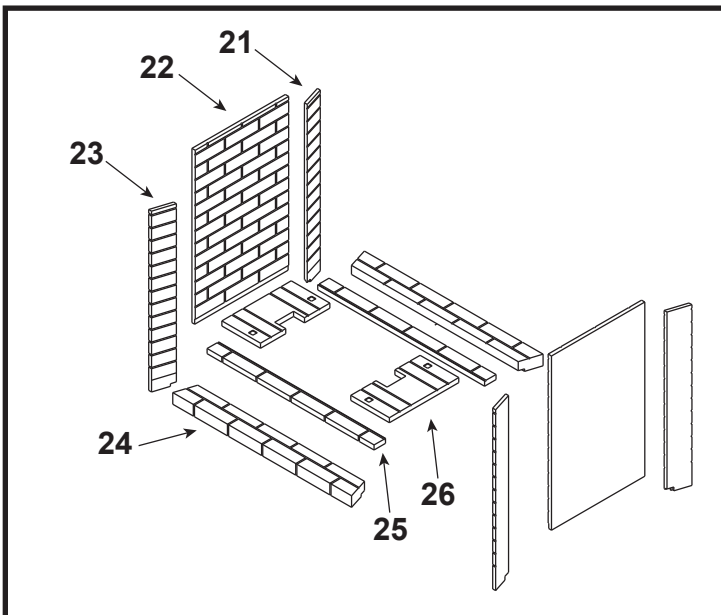


Log Set Assembly



Refractory Assembly



Part number list on following page.

No one builds a better fire

Beginning Manufacturing Date: Feb 2017

Ending Manufacturing Date: Active

IMPORTANT: THIS IS DATED INFORMATION. Parts must be ordered from a dealer or distributor. **Hearth and Home Technologies does not sell directly to consumers.** Provide model number and serial number when requesting service parts from your dealer or distributor.



**Stocked
at Depot**

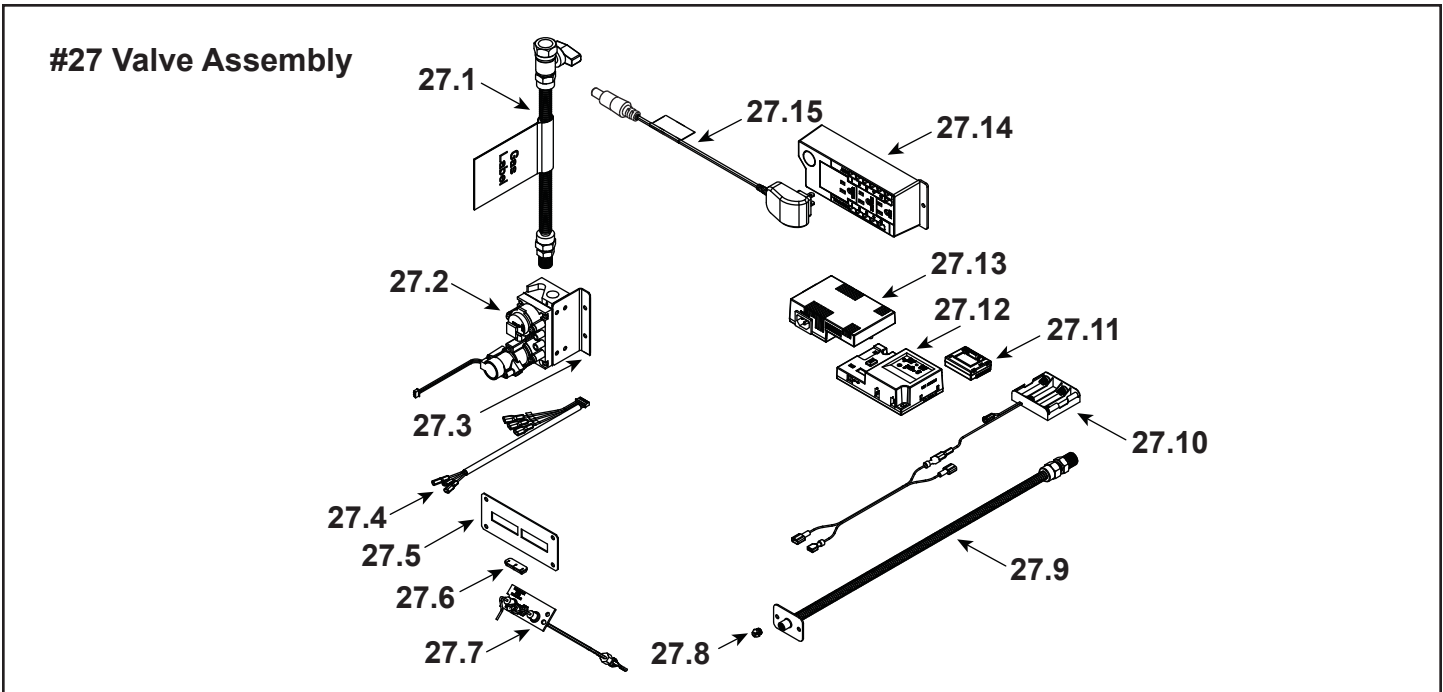
ITEM	DESCRIPTION	COMMENTS	PART NUMBER	
	Log Set Assembly		LOGS-ESC42ST	Y
1	Log 1		SRV2146-701	
2	Log 2		SRV2146-702	
3	Log 3		SRV2146-703	
4	Log 4		SRV2146-704	
5	Log 5		SRV2146-705	
6	Log 6		SRV2146-706	
7	Log 7		SRV2146-707	
8	Log 8		SRV2146-708	
9	Log 9		SRV582-707	
10	Light Box Mesh Assembly	Qty 2 req	2146-016	
11	Non-combustible Board	Qty 2 req	2146-051	
12	Finishing Strips	Qty 6 req	2146-129	
13	Glass Door Assembly	Qty 2 req	GLA-42ST	Y
14	Log Grate		2146-015	
15	Light Assembly Accent	35"	2146-013	
16	Light Assembly Accent	17"	2146-014	
17	Light Assembly, Ember		2146-404	
18	Burner		2146-007	Y
19	Refractory Support	Qty 2 req	2146-152	
20	Light Wire Connectors		2146-407	
21	Refractory Panel- Outside Right	Qty 2 req	SRV2146-314	
22	Refractory Panel- Inside Side	Qty 2 req	SRV2146-311	
23	Refractory Panel - Outside Left	Qty 2 req	SRV2146-315	
24	Refractory Panel-Outside Bottom	Qty 2 req	SRV2146-316	
25	Refractory Panel-Inside Front	Qty 2 req	SRV2146-312	
26	Refractory Panel-Inside Middle	Qty 2 req	SRV2146-313	
	Panel Bracket	Left	2146-175	
		Right	2146-176	

Additional service part numbers appear on following page.

No one builds a better fire

Beginning Manufacturing Date: Feb 2017

Ending Manufacturing Date: Active



IMPORTANT: THIS IS DATED INFORMATION. Parts must be ordered from a dealer or distributor. **Hearth and Home Technologies does not sell directly to consumers.** Provide model number and serial number when requesting service parts from your dealer or distributor.



Stocked at Depot

ITEM	DESCRIPTION	COMMENTS	PART NUMBER	
27.1	Flex Ball Valve Assembly. 12"		SRV302-320	Y
	Male connector	Pkg of 5	303-315/5	Y
27.2	Valve NG		2166-302	Y
	Valve LP		2166-303	Y
27.3	Valve Bracket		2146-192	
27.4	Wire Harness		SRV2326-132	Y
27.5	Side Panel Bracket		2146-150	
27.6	Grommet		SRV2118-420	
27.7	Pilot Assembly, NG		2457-020	Y
	Pilot Assembly, LP	Convert 2457-020 with SRV593-527		
27.8	Orifice NG (#24C)		582-824	Y
	Orifice LP (#44C)		582-844	Y
27.9	Orifice Flex Tube		2005-009	Y
27.10	**Battery Pack		SRV2326-134	Y
	Wire, Battery jumper, 10 in		2281-196	Y
27.11	Module, RF FCC		2326-120	Y
27.12	Module, Control IFT		2326-130	Y
27.13	Aux Module, B Type		2326-150	Y
27.14	Junction Box		SRV4021-013	Y
27.15	Power Supply		SRV2326-131	Y

**Fuse for battery pack can be sourced locally, not a warranty item. Specs are 250v, 3A fuse, 3/4" long

Additional service part numbers appear on following page.



No one builds a better fire

Beginning Manufacturing Date: Feb 2017
Ending Manufacturing Date: Active

IMPORTANT: THIS IS DATED INFORMATION. Parts must be ordered from a dealer or distributor. **Hearth and Home Technologies does not sell directly to consumers.** Provide model number and serial number when requesting service parts from your dealer or distributor.



Stocked
at Depot

ITEM	DESCRIPTION	COMMENTS	PART NUMBER	
	Bulb, Halogen, Accent	Qty 2 req	2088-136	Y
	Bulb, Halogen, Ember	Qty 4 req	2146-540	Y
	Access Plate, Junction Box		2146-169	
	Fiberglass Rope		060-455	
	Flue Restrictor		2146-158	
	Glass Latch Assembly	Qty 6 req	2146-413	
	Jumper Wire	Refer to Install Manual	SRV2187-198	
	Mineral Wool		050-721	
	Remote RC400		SRV2326-110	Y
	Teco-Sil, 5lb. Bag White Ember Bed Rock		700-790	
	Touch Up Paint		TUP-GBK-12	
	Vermiculite Embers		MYSTIC-EMBERS	
Conversion Kits				
	Conversion Kit, NG		NGKMARQ42ST	Y
	Conversion Kit, LP		LPKMARQ42ST	Y
	Pilot Orifice, NG		SRV593-528	Y
	Pilot Orifice, LP		SRV593-527	Y
	Regulator, NG	w/stepper motor	NGK-DXV-50	Y
	Regulator, LP	w/stepper motor	SRVLPG-DXV-50	Y