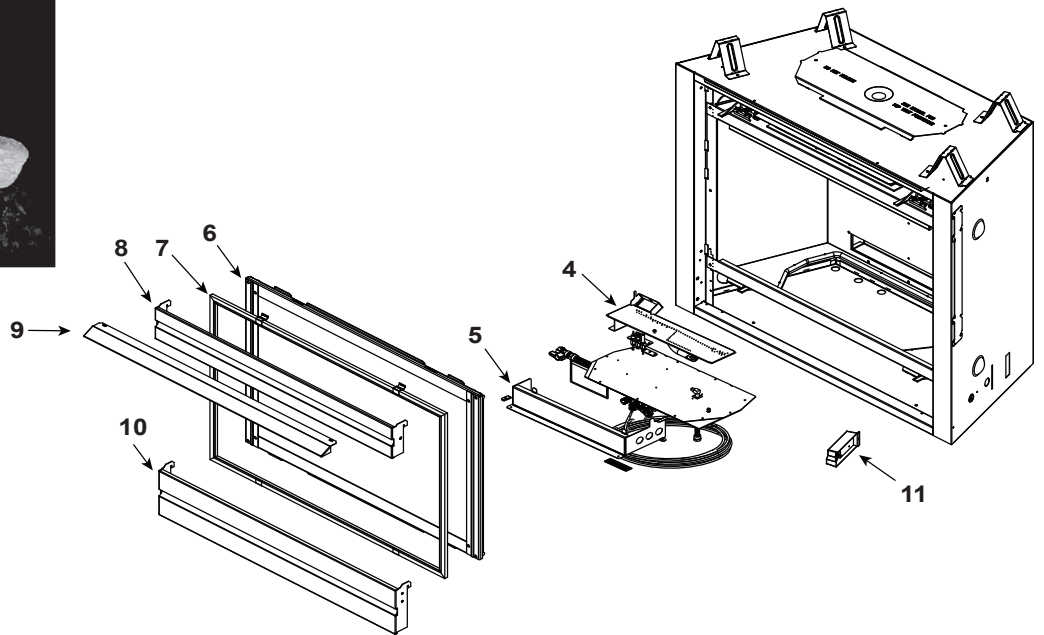
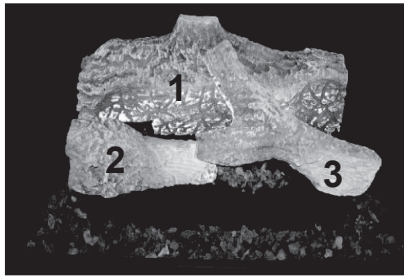


Log Set Assembly



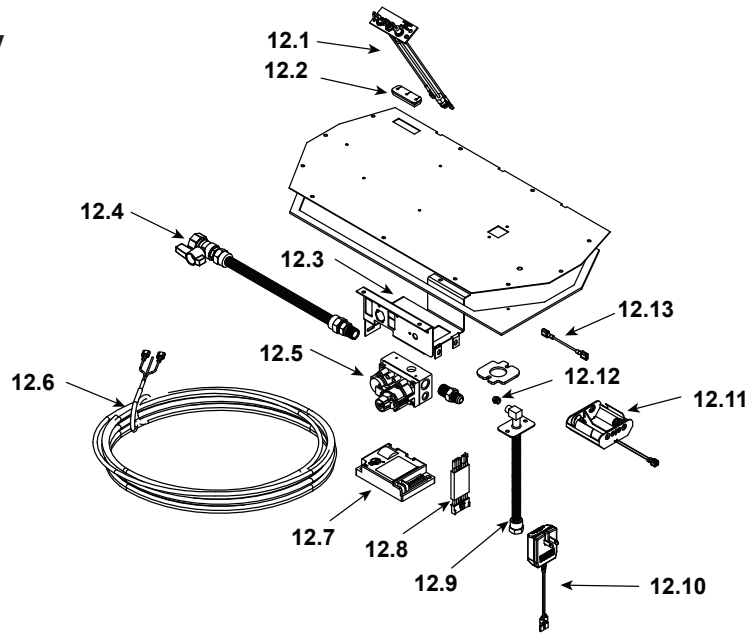
IMPORTANT: THIS IS DATED INFORMATION. Parts must be ordered from a dealer or distributor. **Hearth and Home Technologies does not sell directly to consumers.** Provide model number and serial number when requesting service parts from your dealer or distributor.



Stocked at Depot

ITEM	DESCRIPTION	COMMENTS	PART NUMBER	
	Log Assembly		LOGS-550BE-B	Y
1	Log 1	No longer available, Must order complete assembly	SRV2158-700	
2	Log 2		SRV2158-701	
3	Log 3		SRV2158-702	
4	Burner Assembly		2158-007	Y
5	Log Support	No longer available	2158-155	
6	Glass Door Assembly		GLA-550TR	Y
7	Mesh Assembly		SRV2114-245	Y
8	Louver, Top		SRV2114-161-BK	
9	Hood		2115-230	
10	Louver, Bottom		SRV2114-156-BK	
11	Junction box		SRV4021-013	Y
	Exhaust Restrictor		530-299	
	Gasket Assembly Contains Burner neck, shutter bracket, vent, seal cap, valve plate, and air passage gaskets		2115-080	
	Glass Latch Assembly	Pkg of 2	33858/2	Y
	Lava Rock		4021-297	
	Mineral Wool		050-721	
	Touch Up Paint		TUP-GBK-12	

#12 Valve Assembly



IMPORTANT: THIS IS DATED INFORMATION. Parts must be ordered from a dealer or distributor. **Hearth and Home Technologies does not sell directly to consumers.** Provide model number and serial number when requesting service parts from your dealer or distributor.



Stocked at Depot

ITEM	DESCRIPTION	COMMENTS	PART NUMBER	
12.1	Pilot Assembly NG		2208-012	Y
	Pilot Assembly LP		2208-013	Y
	Pilot Tube		SRV485-301	Y
12.2	3-Hole Grommet		SRV2118-420	
12.3	Valve Bracket		2118-104	
12.4	Flexible Gas Connector		SRV302-320	Y
12.5	Valve NG		750-500	Y
	Valve LP		750-501	Y
12.6	Thermostat Wire		SRV2118-170	Y
12.7	Module		SRV593-592	Y
12.8	Wire Assembly		SRV593-590	Y
12.9	Flex Tube Assembly		SRV7000-156	Y
1210	3 Volt Transformer		SRV593-593	Y
12.11	Battery Pack		SRV593-594	Y
12.12	Orifice NG (#45C)		SRV582-845	Y
	Orifice LP (#55C)		582-855	Y
12.13	2 in Jumper Wires		SRV2012-206	Y
	Conversion Kit NG		NGK-DV3732SB	Y
	Conversion Kit LP		LPK-DV3732SB	Y
	Regulator NG		SRVNGK-DXV	Y
	Regulator LP		SRVLPK-DXV	Y
	Pilot Orifice NG		SRV593-528	Y
	Pilot Orifice LP		SRV593-527	Y