

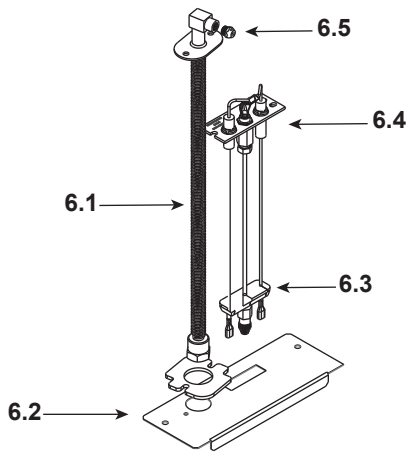
IMPORTANT: THIS IS DATED INFORMATION. Parts must be ordered from a dealer or distributor. **Hearth and Home Technologies does not sell directly to consumers.** Provide model number and serial number when requesting service parts from your dealer or distributor.

Stocked at Depot

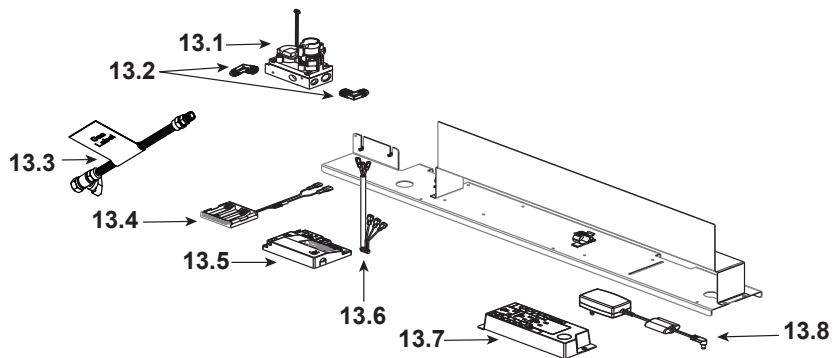
ITEM	DESCRIPTION	COMMENTS	PART NUMBER	
1	Non-combustible Board, Top	Qty 2 req	SRV2300-460	
2	Standoff, Top	No longer available	2300-199	
3	Non-combustible Board, Side	Qty 4 req	2300-461	
4	Bottom glass		2300-018	
5	Burner		2300-007	Y
6	Pilot Assembly		See Following Page	
7	Shield, Pilot		2300-195	
8	Glass Assembly	Qty 2 req	GLA-48-HTL	
9	Shield, Bottom Glass w/vents		2300-179	
	Shield., Bottom Glass		2301-179	
10	Panel, Bottom w/vents		2300-147	
	Panel, Bottom		2301-147	
11	Rock Tray		2300-151	
12	Rail, Burner	No longer available	2300-338	

Additional service part numbers on following page.

#6 Pilot Assembly



#13 Valve Assembly



IMPORTANT: THIS IS DATED INFORMATION. Parts must be ordered from a dealer or distributor. **Hearth and Home Technologies does not sell directly to consumers.** Provide model number and serial number when requesting service parts from your dealer or distributor.

Stocked at Depot

ITEM	DESCRIPTION	COMMENTS	PART NUMBER	
6.1	Bulkhead W/Flex tube		SRV2166-119	Y
6.2	Plate Flex and Pilot		2300-163	
6.3	3-Hole Grommet		SRV2118-420	
6.4	Pilot Assembly, NG		SRV2090-012	Y
	Pilot Assembly, LP		2090-013	Y
6.5	Orifice, NG #.124		582-8124	Y
	Orifice, LP #49C		SRV582-849	Y
13.1	Valve, NG		SRV2166-302	Y
	Valve, LP		2166-303	Y
13.2	Elbow	Qty 2 req	SRV4021-045	
13.3	Flex Ball Valve Assembly		SRV302-320	Y
13.4	Battery Pack**		SRV2166-323	Y
13.5	Module		2166-347	Y
13.6	Wire Harness		2166-304	Y
13.4	Junction Box		SRV4021-013	Y
13.8	Transformer, 6 Volt Wall		SRV2326-131	Y

**Fuse for battery pack can be sourced locally, not a warranty item. Specs are 250v, 1A fuse, 3/4" long

Additional service part numbers on following page.



IMPORTANT: THIS IS DATED INFORMATION. Parts must be ordered from a dealer or distributor. **Hearth and Home Technologies does not sell directly to consumers.** Provide model number and serial number when requesting service parts from your dealer or distributor.

**Stocked
at Depot**

ITEM	DESCRIPTION	COMMENTS	PART NUMBER	
	Flue Restrictor		385-128	
	Fiber Glass Rope		060-455	
	Gasket Assembly Contains: Vent, Burner Neck, Seal Cap, Air Passage, Drawn Air Passage, and Flex and Pilot		2300-080	
	Glass Latch Assembly	Qty. 8 req.	2146-413	Y
	Log Assembly (Optional)		LOGS-48	
	Light Kit, Ambient (Optional)		ALK-48	
	Black Glass Kit (Includes Manual Bag Assembly for kit and Refractory Assembly, Optional)		BGK- LINEARST	
	Remote RC300-HTL		2166-330	Y
	Touch Up Paint		TUP-GBK-12	
	Vinyl Siding Shield		TRAP-VSS	
	Clean Face Front	Black	CFT-42-BK-C	
Media Options				
	Media Kit, Red		MEDIA-RED-48	
	Media Kit, Ebony		MEDIA-EBONY-48	
	Media Kit, Cobalt		MEDIA-COBALT-48	
	Media Kit, Clear		MEDIA-CLEAR-48	
	Media Kit, Amber		MEDIA-AMBER-48	
Conversion Kits				
	Conversion Kit NG		NGK-MC-C	
	Conversion Kit LP		LPK-6048	
	Pilot Orifice, NG		SRV593-528	Y
	Pilot Orifice, LP		SRV593-527	Y
	Regulator, NG		NGK-DXV-50	Y
	Regulator, LP		SRVLPK-DXV-50	Y