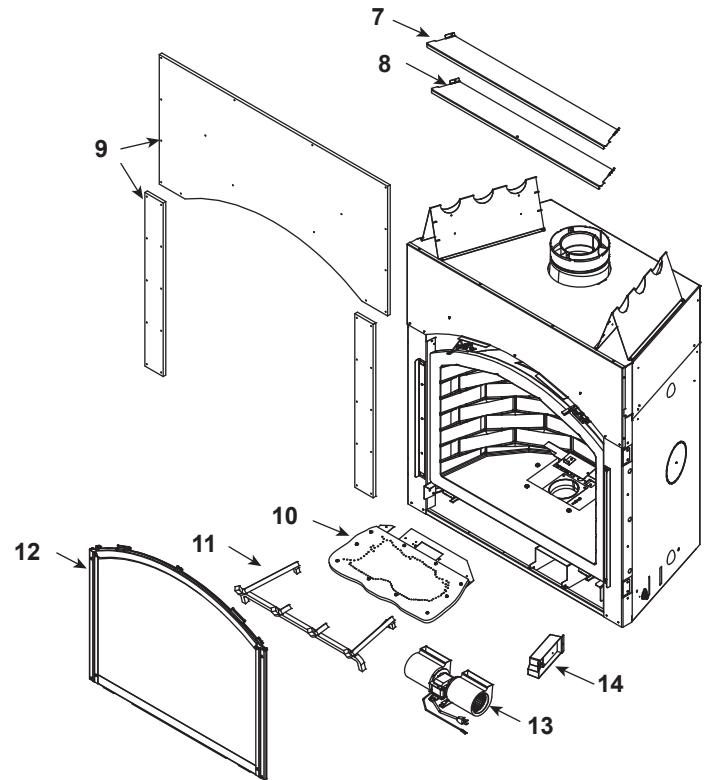


Log Set Assembly



IMPORTANT: THIS IS DATED INFORMATION. Parts must be ordered from a dealer or distributor. **Hearth and Home Technologies does not sell directly to consumers.** Provide model number and serial number when requesting service parts from your dealer or distributor.



Stocked at Depot

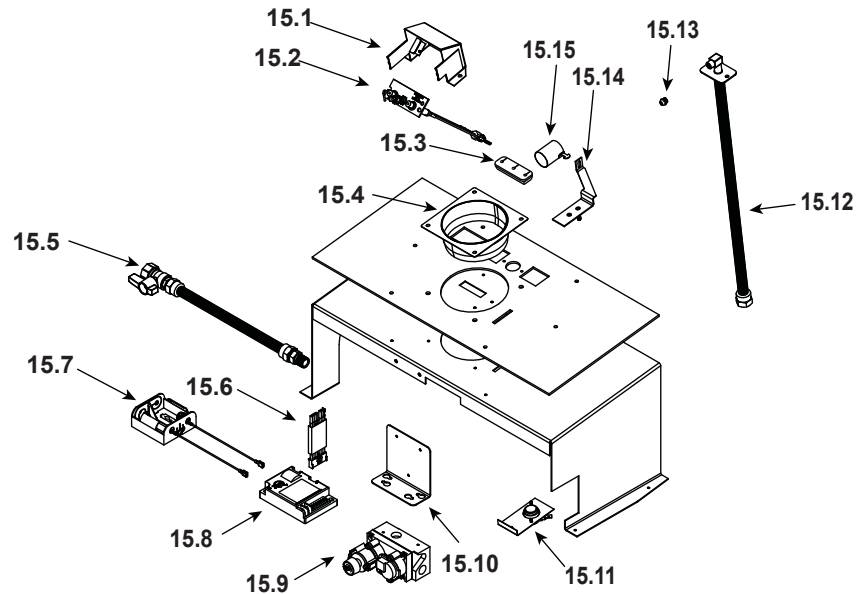
ITEM	DESCRIPTION	COMMENTS	PART NUMBER	
	Log Set Assembly		LOGS-CERONA36	Y
1	Log 1	Pre 5/15/16, Must order complete assembly	SRV2106-701	
2	Log 2		SRV2106-703	
3	Log 3		SRV2106-705	
4	Log 4		SRV2106-704	
5	Log 5		SRV2106-702	
6	Log 6		SRV2106-706	
7	Top Header Heat Shield		2106-144	
8	Bottom Header Heat Shield		2106-145	
9	Non-Combustible Board Assembly		2106-030	
10	Burner NG, LP		2106-003	Y
11	Grate Assembly		2106-006	
12	Glass Door Assembly		GLA-CERONA36	Y
13	Fan Kit		GFK-160A	
14	Junction Box		4021-013	Y
	Control Box	No longer available	2106-025	
		Post Sn #0021359350	WSK-MLT	

No one builds a better fire

Beginning Manufacturing Date: Aug 2006

Ending Manufacturing Date: Active

#15 Valve Assembly



IMPORTANT: THIS IS DATED INFORMATION. Parts must be ordered from a dealer or distributor. **Hearth and Home Technologies does not sell directly to consumers.** Provide model number and serial number when requesting service parts from your dealer or distributor.



**Stocked
at Depot**

ITEM	DESCRIPTION	COMMENTS	PART NUMBER	
15.1	Pilot Bracket		2106-135	
15.2	Pilot Assembly NG		2106-009	Y
	Pilot Assembly LP		2106-008	Y
15.3	3-Hole Grommet		2118-420	
15.4	Collar 4"		2081-140	
15.5	Flex Ball Valve Assembly		302-320A	Y
15.6	Module Wire Assembly		593-590A	Y
15.7	Battery Pack		593-594A	Y
15.8	Module		593-592	Y
15.9	Valve NG		750-500	Y
	Valve LP		750-501	Y
15.10	Valve Bracket		2106-107	
15.11	High Temp Limit Switch	Pre June 2009 must order both switch, Wire, and shutter Bracket assembly	2106-005 and 107-559A	Y
			2106-010(NG) or 2106-071(LP)	Y
		Post June 2009	2106-005	Y
15.12	Flexible Gas Connector		530-302A	Y
15.13	Orifice NG (#32)		582-832	Y
	Orifice LP (#50)		582-850	Y
15.14	Shutter Bracket Assembly (NG)		2106-010	Y
	Shutter Bracket Assembly (LP)		2106-071	Y
15.15	Shutter Sleeve		2026-130	Y

Additional service part numbers appear on following page.

No one builds a better fire

Beginning Manufacturing Date: Aug 2006
Ending Manufacturing Date: Active

IMPORTANT: THIS IS DATED INFORMATION. Parts must be ordered from a dealer or distributor. **Hearth and Home Technologies does not sell directly to consumers.** Provide model number and serial number when requesting service parts from your dealer or distributor.



**Stocked
at Depot**

ITEM	DESCRIPTION	COMMENTS	PART NUMBER	
	Elbow Heat Shield Assembly		2106-084	
	Elbow Heat Shield		2106-290	
	Heat Shield		2106-291	
	Fiber Patch Kit		PATCHKIT-FB	
	Touch up Paint Fiber		CERONA-PAINT	
	Fiberglass Rope		060-455	
	Glass Latch Assembly	Pkg of 2	386-122A/2	Y
	Heat Shield, J-Box		2106-130	
	Mineral Wool		050-721	
	On/Off Rocker Switch		060-521A	Y
	Screw, Bag of 32 ea.		2062-110-23	Y
	Touch Up Paint-Metal		TUP-GBK-12	
	Vermiculite Embers		MYSTIC-EMBERS	
	Vertical Restrictor		2106-141	
	Wires, 2 in Male to Male		2012-206	Y
	Wire, Wall Switch		2095-550	Y
	Wire Harness, 20 in		107-559A	Y
	Conversion Kit NG		N/A	
	Conversion Kit LP		LPK-CERONA36	Y
	Pilot Orifice NG		593-528	Y
	Pilot Orifice LP		593-527	Y
	Regulator NG		NGK-DXV	Y
	Regulator LP		LPK-DXV	Y