

**IMPORTANT: THIS IS DATED INFORMATION.** Parts must be ordered from a dealer or distributor. **Hearth and Home Technologies does not sell directly to consumers.** Provide model number and serial number when requesting service parts from your dealer or distributor.

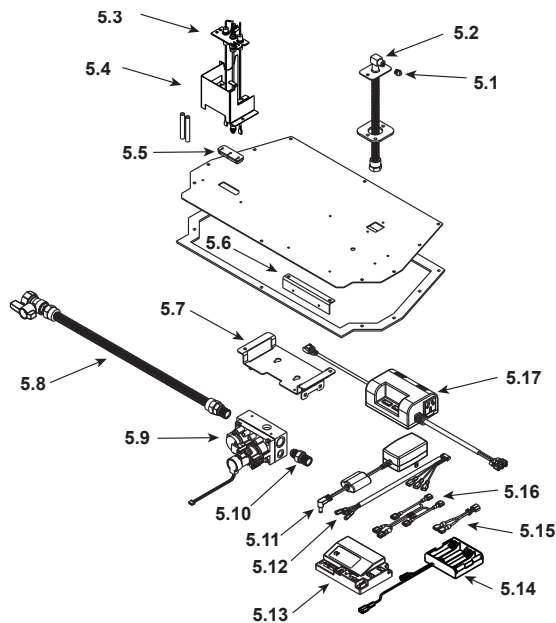
ITEM	DESCRIPTION	COMMENTS	PART NUMBER
1	Blower Assembly		GFK210-240V
2	Termination Plate Assembly	No Longer Available	2206-012
		No Longer Available	2206-013
	Flex Pipe Handle	No Longer Available	438-351
	Gasket	No Longer Available	2206-401
		No Longer Available	2206-178
3	Burner Assembly		2203-007
4	Base Pan	Pre 0023959532	2239-100
		Post 0023959532	2239-107
5	Valve Assembly		Refer to Valve page
6	Glass Door Assembly	No Longer Available	GLA-2206
7	Control Panel		2222-129
8	Burner Leg	No Longer Available	2203-103
9	Junction Cord Assembly		SRV2222-374
10	Fuse Wire Harness	Qty 2 req	2166-341
11	Jumper Plug Fan to AUX		2222-068

Additional service part numbers appear on following page.

No one builds a better fire

Beginning Manufacturing Date: Feb 2011  
Ending Manufacturing Date: July 2017

### #5 Valve Assembly



**IMPORTANT: THIS IS DATED INFORMATION.** Parts must be ordered from a dealer or distributor. **Hearth and Home Technologies does not sell directly to consumers.** Provide model number and serial number when requesting service parts from your dealer or distributor.

ITEM	DESCRIPTION	COMMENTS	PART NUMBER
5.1	Orifice N (#42C)		582-842
	Orifice P (#54C)		582-854
5.2	Bulkhead w/flex		7000-156
5.3	Pilot Assembly N	Pre 0022995989	2198-014
		Post 0022995989	2090-012
	Pilot Assembly P	Pre 0022995989	2198-015
		Post 0022995989	2090-013
5.4	Pilot Bracket		2239-112
5.5	3-Hole Grommet		2118-420
5.6	Control Panel Bracket	<b>No Longer Available</b>	2205-128
5.7	Valve Bracket		2205-146
5.8	Flex Ball Valve Assembly		2098-320A
5.9	Valve N		SRV2166-302
	Valve P		2166-303
5.10	Brass Connector	Pkg of 5	303-315/5
5.11	Power Supply Adapter		2326-131
5.12	Wire Harness		2166-304
5.13	Module		2166-306
5.14	Battery Pack**		2166-323
5.15	Jumper Wire		2187-198
5.16	Jumper Wire, Remote		2103-013
5.17	AUX300-CE, Pre SN #0023019789 must also order Jumper Wire (2166-375)		2166-340

\*\*Fuse for battery pack can be sourced locally, not a warranty item.

Additional service part numbers appear on following page.



No one builds a better fire

Beginning Manufacturing Date: Feb 2011  
Ending Manufacturing Date: July 2017

IMPORTANT: THIS IS DATED INFORMATION. Parts must be ordered from a dealer or distributor. **Hearth and Home Technologies does not sell directly to consumers.** Provide model number and serial number when requesting service parts from your dealer or distributor.

ITEM	DESCRIPTION	COMMENTS	PART NUMBER
	Gasket Assembly	No Longer Available	2206-081
	<b>Includes Air Passage, Valve Plate, Exhaust Bottom, Exhaust Top, and Burner Neck Gaskets</b>		
	Glass Clip Support Assembly, Bottom	Qty 2 req	2155-045
	Glass Latch Assembly, Top	No Longer Available	339-121A
	Glass Refractory, Back	No Longer Available	2239-200
	Glass Refractory, Left	No Longer Available	2239-201
	Glass Refractory, Right	No Longer Available	2239-202
	Remote		REM300-HNG-AU
	Component Bag		2166-036
	Touch up Paint		TUP-GBK-12
	EMC Filter	No Longer Available	2201-198
	Conversion Kit N	No Longer Available	P2N-I30COSMO
	Conversion Kit P	No Longer Available	N2P-I30COSMO
	Pilot Orifice N	Pre SN #0022998773	2098-518
		Post SN #002298773	593-528
	Pilot Orifice P	Pre SN #0022998773	2098-512
		Post SN #002298773	593-527
	Regulator N		NGK-DXV-50
	Regulator P		LPK-DXV-50