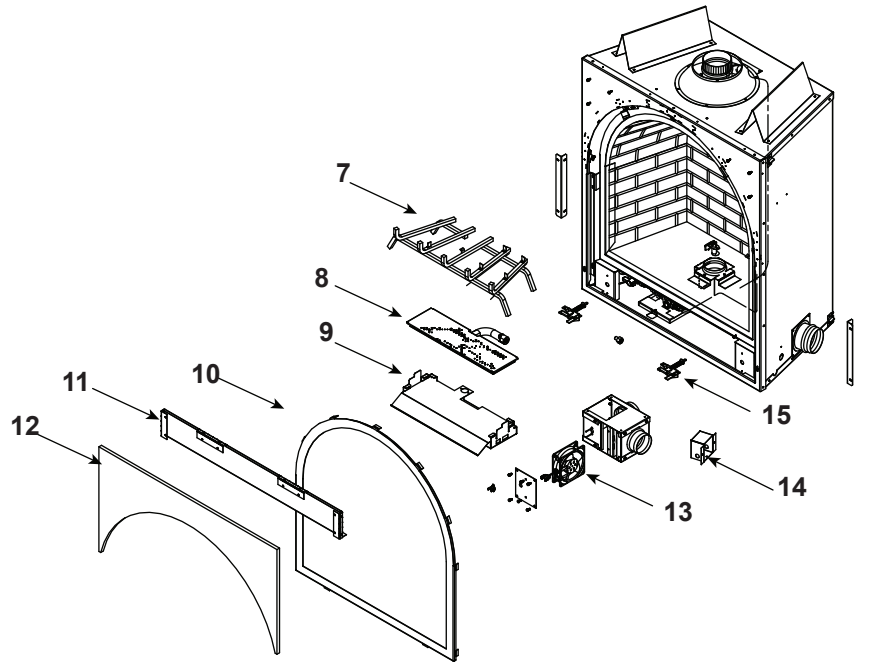
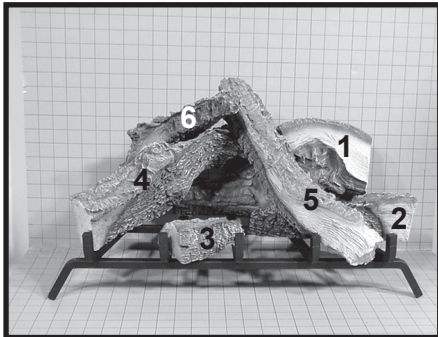


### Log Set Assembly



**IMPORTANT: THIS IS DATED INFORMATION.** Parts must be ordered from a dealer or distributor. **Hearth and Home Technologies does not sell directly to consumers.** Provide model number and serial number when requesting service parts from your dealer or distributor.



**Stocked at Depot**

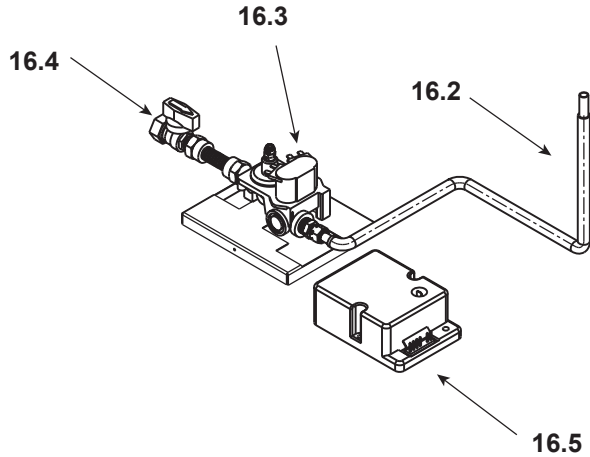
ITEM	DESCRIPTION	COMMENTS	PART NUMBER	
	Log Set Assembly		LOGS-CRESCENT	Y
1	Log 1		SRV705-701	
2	Log 2		SRV705-703	
3	Log 3		SRV705-702	
4	Log 4		SRV705-704	
5	Log 5		SRV705-705	
6	Log 6		SRV593-704	
7	Grate Assembly	<b>No longer available</b>	705-360A	
8	Burner NG	Pre 002182991	705-326A	Y
		Post 002182991	705-328A	Y
	Burner LP	Pre 002182991	705-325A	Y
		Post 002182991	705-327A	Y
9	Fresh Air Diffuser	Pre 002182991	No longer available	
		Post 002182991	No longer available	
10	Glass Door Assembly	<b>No longer available</b>	GLA-CRESCENT	
11	Insulation Support	<b>No longer available</b>	705-260	
12	Insulation Board	<b>No longer available</b>	705-403	
13	Combustion Blower		705-567A	Y
14	Junction Box	<b>No longer available</b>	100-256A	
	Junction Box wW/relay	Post 002182991	No longer available	Y
	Relay and Wire Harness	<b>No longer available</b>	2003-250A	
15	Glass Attachment Assembly - Bottom	Pkg of 2	386-122A/2	Y

No one builds a better fire

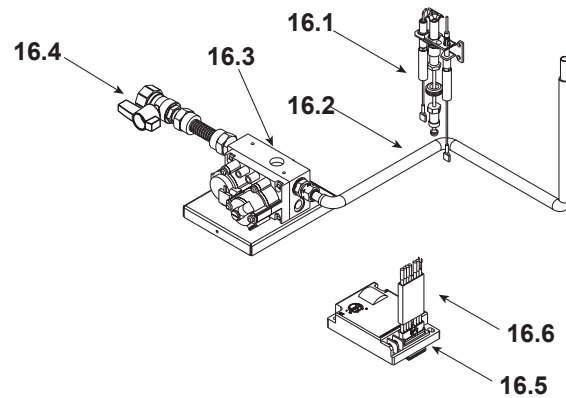
Beginning Manufacturing Date: June 2000  
Ending Manufacturing Date: May 2010

### #16 Valve Assemblies

#### Pre 002182991 Valve Assembly



#### Post 002182991 Valve Assembly



**IMPORTANT: THIS IS DATED INFORMATION.** Parts must be ordered from a dealer or distributor. **Hearth and Home Technologies does not sell directly to consumers.** Provide model number and serial number when requesting service parts from your dealer or distributor.



**Stocked  
at Depot**

ITEM	DESCRIPTION	PART NUMBER		
		Pre 002182991	Post 002182991	
16.1	Pilot Assembly NG	No longer available	SRV4021-730	
	Pilot Assembly LP	No longer available	SRV4021-731	
16.2	Burner Tube	No longer available	570-302A	
16.3	Valve NG	476-500	SRV593-500	Y
	Valve LP	476-500	SRV593-501	Y
16.4	Flex Ball Valve Assembly	492-320A	492-320A	Y
16.5	Module	No longer available	SRV593-592	
16.6	Module Wire Assembly	No longer available	SRV593-590	
	Ignitor	501-591	No longer available	
	3 Volt Transformer	No longer available	SRV593-593	
	Orifice NG	No longer available	065-800 (#35A)	
	Orifice LP (#51A)	No longer available	079-803	

Additional service part numbers appear on following page.

