

IMPORTANT: THIS IS DATED INFORMATION. Parts must be ordered from a dealer or distributor. **Hearth and Home Technologies does not sell directly to consumers.** Provide model number and serial number when requesting service parts from your dealer or distributor.

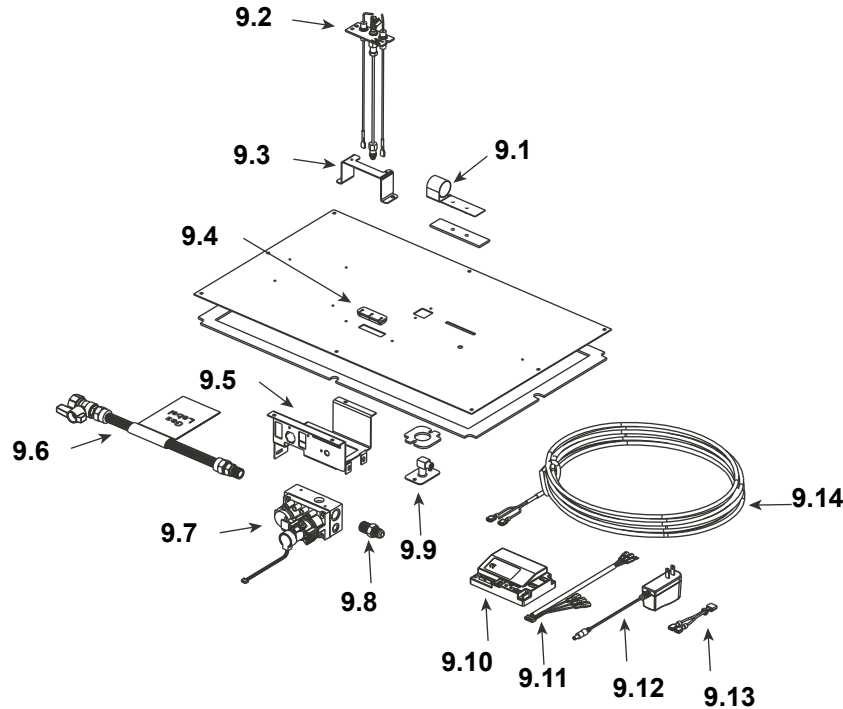


**Stocked at Depot**

ITEM	DESCRIPTION	COMMENTS	PART NUMBER	
1	Non-Combustible Board		2166-136	
2	Refractory Bracket	Qty 2 req	2241-115	
3	Rock Fixture Assembly		2241-040	Y
4	Base Pan Assembly		2241-015	
4.1	Base Pan Back		2241-114	
4.2	Base Pan Front		2241-101	
4.3	Pilot Hood		2241-117	
4.4	Pilot Shield	Stainless	2241-116	
5	Burner Assembly	NG	SRV2241-007	Y
		LP	SRV2241-008	Y
6	Surround Assembly	<b>No longer available</b>	2166-019	
7	Glass Assembly		GLA-6000G	Y
8	Junction box		SRV4021-013	Y

Additional service part numbers on following page.

**#9 Valve Assembly**



IMPORTANT: THIS IS DATED INFORMATION. Parts must be ordered from a dealer or distributor. **Hearth and Home Technologies does not sell directly to consumers.** Provide model number and serial number when requesting service parts from your dealer or distributor.



**Stocked at Depot**

ITEM	DESCRIPTION	COMMENTS	PART NUMBER	Stocked at Depot
9.1	Shutter Bracket Assembly		2118-121	Y
9.2	Pilot Assembly, NG		SRV2090-012	Y
	Pilot Assembly, LP		2090-013	Y
9.3	Pilot Bracket		SRV2241-109-BK	
9.4	3-Hole Grommet		SRV2118-420	
9.5	Valve Bracket		2118-104	
9.6	Flex Ball Valve Assembly		SRV302-320	Y
9.7	Valve, NG		SRV2166-302	Y
	Valve, LP		2166-303	Y
9.8	Male Connector	Pkg of 5	303-315/5	Y
9.9	Bulkhead w/FlexTube		SRV7000-156	Y
9.10	Control Module		SRV2166-338	Y
9.11	Wire Harness		2166-304	Y
9.12	Switched DC Regulator		SRV2326-131	Y
9.13	Jumper Wire		SRV2187-198	Y
9.14	Thermostat Wire Assembly		SRV2118-170	Y
	Orifice, NG (#40C)		582-840	Y
	Orifice, LP (#55C)		582-855	Y

Additional service part numbers on following page.

