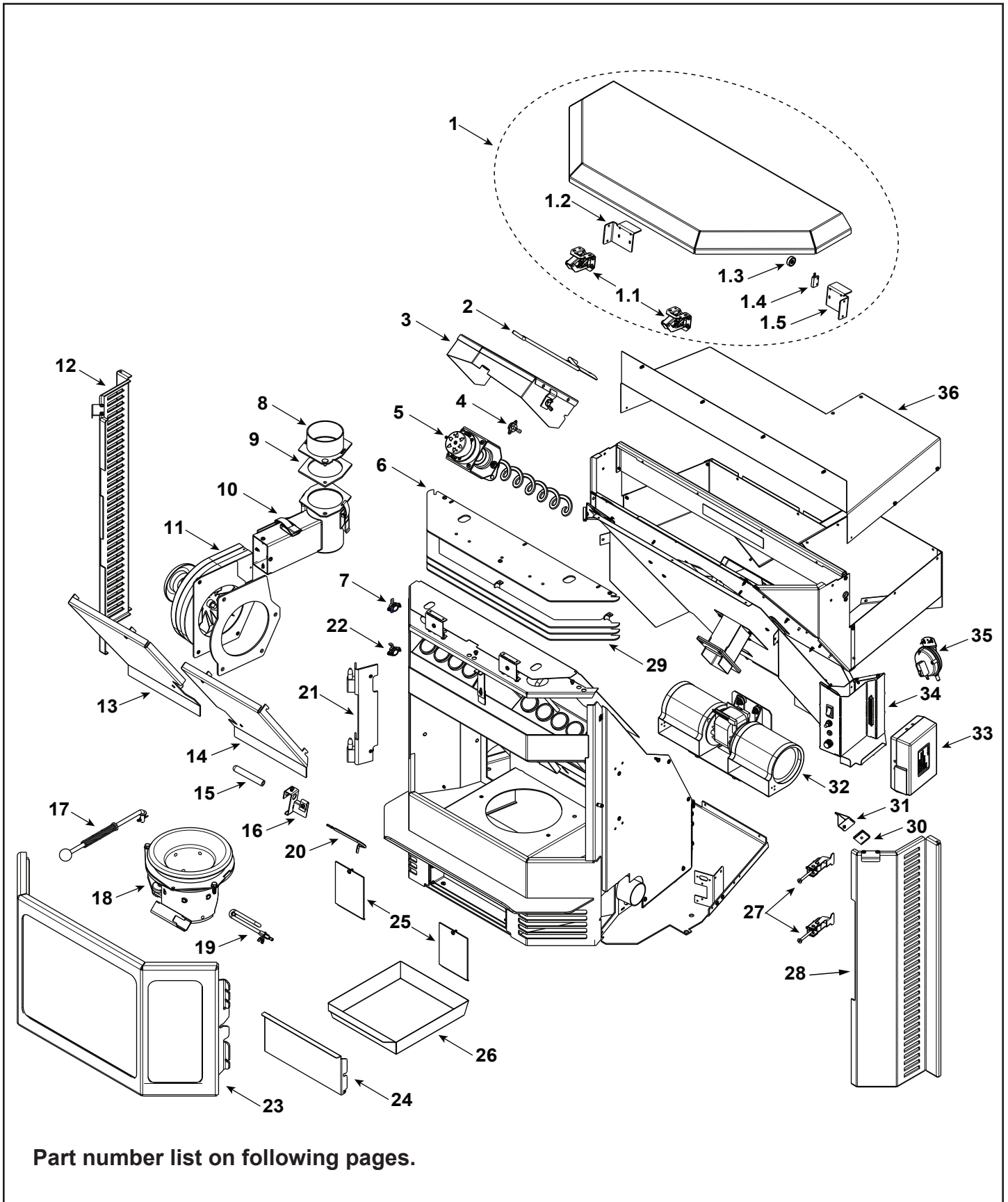


Classic Bay Pellet Insert



Part number list on following pages.

Beginning Manufacturing Date: May 2019  
Ending Manufacturing Date: Active

IMPORTANT: THIS IS DATED INFORMATION. Parts must be ordered from a dealer or distributor. **Hearth and Home Technologies does not sell directly to consumers.** Provide model number and serial number when requesting service parts from your dealer or distributor.



**Stocked at Depot**

ITEM	DESCRIPTION	COMMENTS	PART NUMBER	
1	Hopper Lid Assembly		SRV7027-040	
1.1	Hinge, Hopper Lid		812-4220	
1.2	Mount, Hopper Lid Support, Right		410-7410	
1.3	Magnet Round		SRV7000-140	Y
1.4	Hopper Switch		SRV7000-375	Y
1.5	Lid Support Mount w/Sensor		7027-278	
	Screw Flat Head Philips, 8-32 x 1/2	Pkg of 12	220-0490/12	Y
	Screw, 8-32 x 1/4	Pkg of 40	225-0240/40	Y
	Wire Harness Hopper Switch		SRV414-1220	Y
	Mount, Hopper Lid Support, Top		410-7560	
2	Feed Adjustment Assembly		510-5450	
	Thumbscrew, 1/4-20 X 3/4	Pkg of 10	844-5070	
3	Cover, Feed Motor, Top		410-7920	
4	Snap Disc, Manual Reset ( #3 )		SRV230-1290	Y
<p><b>#5 Feed Motor Assembly</b></p>				
5	Feed Motor Assembly		812-3690	Y
5.1	Screw, 8-32 X 3/8 PH	Pkg of 40	225-0500/40	Y
5.2	Feed Motor		812-4421	Y
5.3	Collar, Set, 7/8		229-0520	
5.4	Feed Bearing		SRV7000-598	Y
5.5	Mount, Feed Motor		410-7172	
5.6	Gasket, Feed Motor		SRV240-0731	Y
5.7	Feed Spring Assembly		SRV7027-024	Y
5.8	Screw, Set 5/16-18 X 1/4	Pkg of 25	225-0550/25	Y
6	Extension, Heat Shield, Top		410-7860	Y
	Heat Exchange Repair Template		SRV7014-172	
	Heat Exchange Repair Kit		812-4970	
7	Snap Disc, 200 Open/40 D, (#2)		SRV230-0900	Y
8	Exhaust Adapter Assembly		510-5330	
9	Gasket, Flue Adapter		SRV240-0850	Y
10	Exhaust Transition Assembly		510-5340	
	Gasket, Cleanout Door		SRV240-0840	
	Latch, Draw	Qty 2 req	229-0230	
	Screw, Pan Head Philips 8-32 x 3/8	Pkg of 40	225-0500/40	Y

Additional service part numbers appear on following page.

Beginning Manufacturing Date: May 2019  
Ending Manufacturing Date: Active

IMPORTANT: THIS IS DATED INFORMATION. Parts must be ordered from a dealer or distributor. **Hearth and Home Technologies does not sell directly to consumers.** Provide model number and serial number when requesting service parts from your dealer or distributor.



Stocked at Depot

ITEM	DESCRIPTION	COMMENTS	PART NUMBER	
11	Combustion Exhaust Blower,80 CFM		812-3381	Y
	Gasket, Exhaust Combustion Blower, between...	...Motor & Housing	812-4710	Y
		Motor & Housing Pkg of 12	SRV240-0980M	Y
		...Housing & Stove	SRV240-0812	Y
		Motor & Housing Pkg of 12	SRV240-0812M	Y
	Blower, Combustion		7000-537	Y
	Silicone, Hi-Temp, 11 oz.		812-2020	Y
12	Curtain, Side, Left		812-4310	
	Screw, 8-32 X 3/8 PH	Pkg of 40	225-0500/40	Y
	Latch, Magnet		SRV229-0631	Y
13	Baffle, Left		812-4200	Y
14	Baffle, Right		812-4210	Y
15	Thermocouple Cover	Pkg of 1	812-1322	Y
		Pkg of 10	812-4920	Y
16	Thermocouple Bracket W/Set Screw		812-3171	Y
<div style="display: flex; justify-content: space-between;"> <div style="width: 45%;"> <p><b>#17 Rod/Linkage EZ Clean</b></p> </div> <div style="width: 45%;"> <p><b>#18 Firepot Assembly &amp; #19 Heating Element</b></p> </div> </div>				
17	Rod/Linkage Ez Clean		812-4140	
17.1	Knob, Ash Dump Control Rod		832-3020	
17.2	Spring, Firepot		200-2050	
17.3	Washer, 5/16	Pkg of 10	7000-579/10	Y
		Pkg of 50	3-30-0205-50	Y
18	Firepot Assembly		812-3351	Y
	Nut, Lock 1/4-20	Pkg of 25	226-0090/25	Y
		Pkg of 50	3-30-8021-50	Y
	Bushing, Firepot		410-8320	Y
	Floor, Firepot		414-0290	Y
	Gasket, Firepot		SRV510-0530	Y
19	Heating Element Assembly 18" (Loop Igniter)	Pkg of 1	SRV7000-462	Y
		Pkg of 10	SRV7000-462/10	Y
	Wing Thumb Screw 8-32 X 1/2	Pkg of 24	7000-223/24	Y
	Igniter Wire (5Ft) & (4) Ceramic Nuts		812-4520	Y
20	Thermocouple		812-0210	Y

Additional service part numbers appear on following page.

Beginning Manufacturing Date: May 2019  
Ending Manufacturing Date: Active

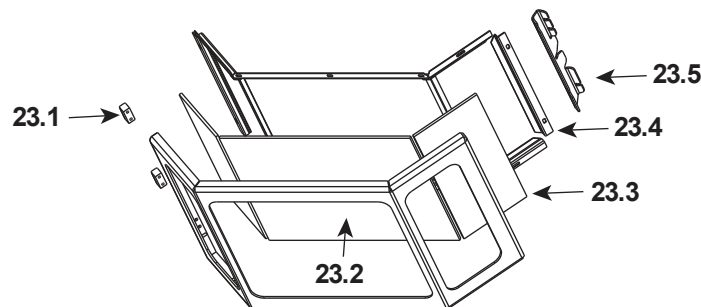
IMPORTANT: THIS IS DATED INFORMATION. Parts must be ordered from a dealer or distributor. **Hearth and Home Technologies does not sell directly to consumers.** Provide model number and serial number when requesting service parts from your dealer or distributor.



**Stocked  
at Depot**

ITEM	DESCRIPTION	COMMENTS	PART NUMBER	
21	Mount, Door Hinge		410-7290	
	Hinge, Door, Male		SRV450-2810	
	Screw, Pan Head Philips 8-32 X 3/8	Pkg of 40	21799A/40	Y
22	Snap Disc ( #1 ) Convection Blower		SRV7000-829	Y

### #23 Door Assembly



23	Door Assembly	Black	DR-CB12-MBK-B	
23.1	Hinge, Female		SRV450-2910	
23.2	Glass Assembly, Center, 13-7/8 in. W x 11 in. H		SRV510-5400	Y
23.3	Glass Assembly, Side, 5-1/8 in. W x 11 in. H	Qty: 1	SRV510-5410	Y
23.4	Glass Retainer Assembly		SRV510-5460	Y
	Nut, Keps Lock, 8-32	Pkg of 40	226-0060/40	Y
23.5	Bracket, Door Latch		SRV410-4912	
	Door Rope, 7/8", Field Cut to Size	8 Ft	842-2350	Y
	Gasket, Glass, Field Cut to Size	10 Ft	833-0660	
	Silicone, Hi Temp, 11oz		812-2020	
24	Panel, Front Access	Ash Pan Door	812-4290	
25	Door, Cleanout, Exhaust Plenum		410-7910	
26	Ash Pan		812-4130	
27	Latch, Draw		229-0640	Y
28	Curtain, Side, Right		812-4320	
	Screw, 8-32 X 3/8 PH	Pkg of 40	225-0500/40	Y
	Latch, Magnet		SRV229-0631	
29	Grille, Louver	Black	LVGRL-CB12-BK-B	
	Grille, Bar, Bottom		410-8330	
	Screw, 8-32 X 3/8 PH	Pkg of 40	225-0500/40	Y
30	Latch, Magnet	Qty 2 req	SRV229-0631	
31	Bracket, Magnet Mount	Qty 2 req	410-7760	

Additional service part numbers appear on following page.

Beginning Manufacturing Date: May 2019  
Ending Manufacturing Date: Active

**IMPORTANT: THIS IS DATED INFORMATION.** Parts must be ordered from a dealer or distributor. **Hearth and Home Technologies does not sell directly to consumers.** Provide model number and serial number when requesting service parts from your dealer or distributor.



**Stocked  
at Depot**

ITEM	DESCRIPTION	COMMENTS	PART NUMBER	
32	Convection Blower, 150 CFM		812-4900	Y
	Nut, Keps Lock, 8-32	Pkg of 40	226-0060/40	Y
	Screw, Pan Head Philips 8-32 X 3/4	Pkg of 24	229-1100/24	Y
	Blower, Convection		7000-537	Y
33	Control Board 3 Speed		SRV7000-704	Y
	Fuse, 8 Amp, Control Box	Pkg of 10	812-3780/10	Y
34	Wire Harness		SRV7000-155	Y
	Fuse, 7 Amp, Junction Box	Pkg of 10	812-0380/10	Y
	Reset Button Assembly		SRV7000-040	
	Block, Thermostat Term Dv		SRV230-0690	
	Igniter Extension		7000-218	
	Call Light Bulb		812-0760	Y
	Call Light Lens Cover		812-0750	Y
	Call Light, Fluorescent		SRV7000-122	
	Fuse Holder		812-0401	Y
35	Vacuum Switch		SRV7000-531	Y
	Hose, Vacuum, 5/32 Id, Field Cut to Size	3 Ft	SRV240-0450	Y
	Hose, Barb Assembly		SRV229-0920	
36	Hopper Top		410-7730	
	Component Pack		SRV7127-057	
	Cleanout Tool		SRV414-1140	Y
	Harness, Thermostat Wire		SRV230-0810	
	Paint Touch-Up		3-42-19905	
	Power Cord		812-1180	Y

IMPORTANT: THIS IS DATED INFORMATION. Parts must be ordered from a dealer or distributor. **Hearth and Home Technologies does not sell directly to consumers.** Provide model number and serial number when requesting service parts from your dealer or distributor.



**Stocked  
at Depot**

ITEM	DESCRIPTION	COMMENTS	PART NUMBER	
<b>OPTIONAL ACCESSORIES</b>				
	Adjustable Hearth Support - 12 in. X 50 in., 2-10 in. H		ADJSPT-12	
	Damper, 3 Inch - Tall Vertical Installs Only		PEL-DAMP3	<b>Y</b>
	Damper, 4 Inch - Tall Vertical Installs Only		PEL-DAMP4	
	Floor Protector		811-0730	
	Log Set Assembly		811-0592	
	Hose, Alum Flex, 2 Inch X 3 Ft	3 Ft	SRV200-0860	
	Panel Set, Large, W/Nickel Trim	33 in x 50 in.	SP-CB1213350-NL	
	Bracket, -L-, Trim	Pkg of 2	832-0840	
	Logo, Quadra-Fire	Pkg of 10	7000-649/10	
	Trim, Panel Set, Ots, Nickel		510-5220	
	Panel Set, Large, W/Black Nickel Trim	33 in x 50 in.	SP-CB1213350-NB	
	Bracket, -L-, Trim	Pkg of 2	832-0840	
	Logo, Quadra-Fire	Pkg of 10	7000-649/10	
	Trim, Panel Set, Ots, Nickel		7019-027	
	Panel Set, Small, W/Nickel Trim	30 in. x 40 in.	SP-CB1213040-NL	
	Bracket, -L-, Trim	Pkg of 2	832-0840	
	Logo, Quadra-Fire	Pkg of 10	7000-649/10	
	Trim, Panel Set, Std, Nickel		510-5210	
	Panel Set, Small, W/Black Nickel Trim	30 in. x 40 in.	SP-CB1213040-NB	
	Bracket, -L-, Trim	Pkg of 2	832-0840	
	Logo, Quadra-Fire	Pkg of 10	7000-649/10	
	Trim, Panel Set, Std, Nickel		7019-026	
	Handle, Pullrod		PULLROD-HNDL	
	Shroud, Rear		811-0680	
	Gasket, Vent Adaptor		SRV240-0860	
	Smart-Batt II	<b>No longer available</b>	SMARTBATT-B	
	Smart-Stat II		SMART-STAT-HHT	
	Thermostat, Programmable		PROG-STAT	
	Top Vent Adapter, 3"		811-0660	
	Top Vent Adapter, 4"		811-0670	
	Top Vent Kit, Rear Shroud		811-0650	
	Gasket, Vent Adaptor		SRV240-0860	
	Vent Adapter, 3-4"		811-0720	

Additional service part numbers appear on following page.

