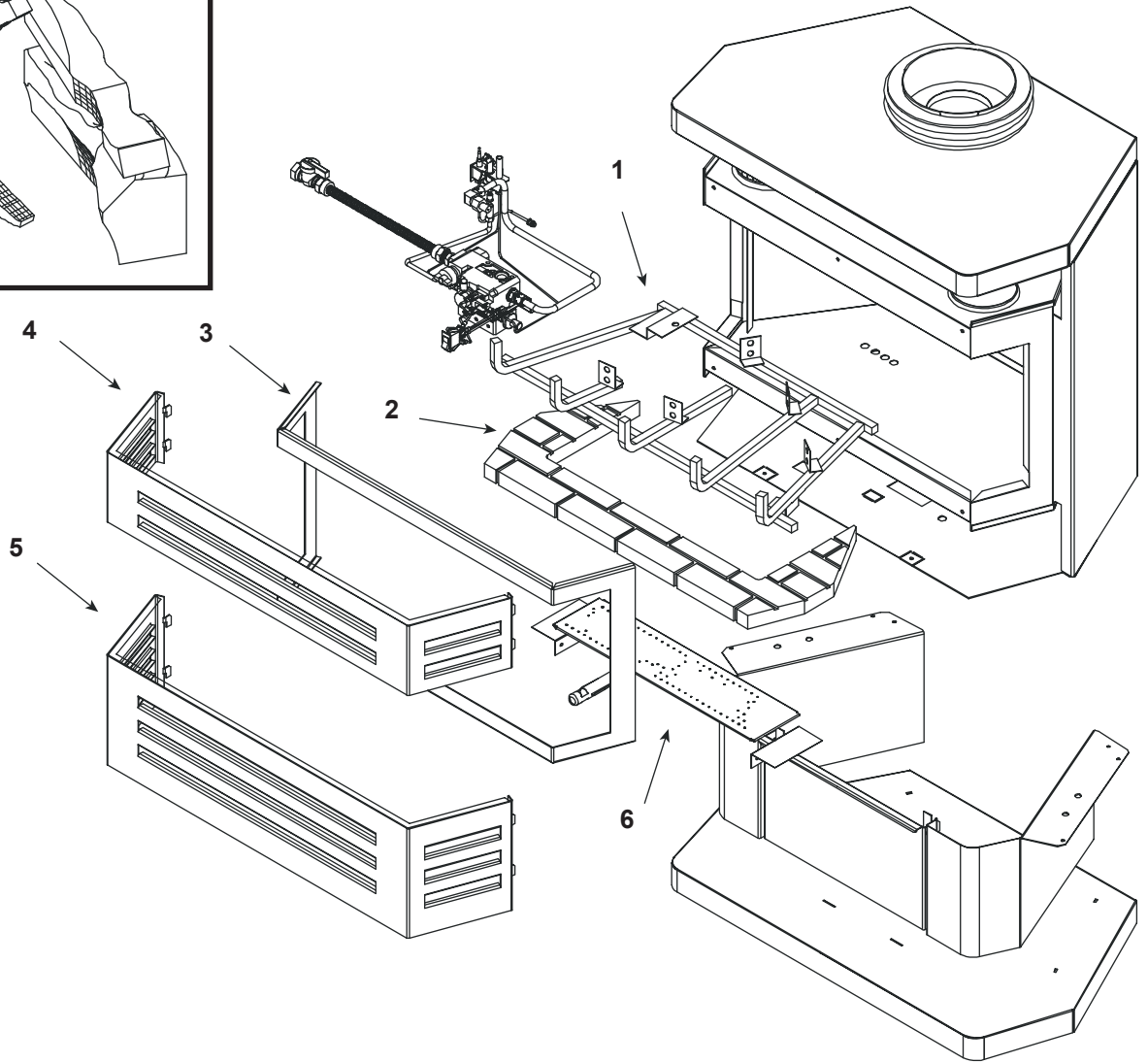
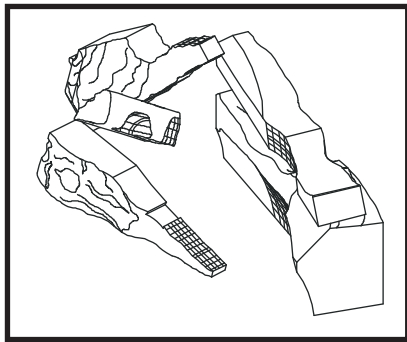


### Log Set Assembly



IMPORTANT: THIS IS DATED INFORMATION. Parts must be ordered from a dealer or distributor. **Hearth and Home Technologies does not sell directly to consumers.** Provide model number and serial number when requesting service parts from your dealer or distributor.



**Stocked at Depot**

ITEM	DESCRIPTION	COMMENTS	PART NUMBER	
	Log Set Assembly	No longer available	LOGS-BYSTV	
1	Grate Assembly	No longer available	450-360A	
2	Base Refractory	No longer available	SRV450-700A	
3	Glass Door Assembly	No longer available	GLA-BAY3	
4	Door Front Top	No longer available	450-154	
5	Door Front Bottom	No longer available	450-153	
6	Burner NG	No longer available	450-274A	
	Burner LP	No longer available	450-275A	



Service Parts

BAY-STOVE

No one builds a better fire

Beginning Manufacturing Date: Jul 1996
Ending Manufacturing Date: Mar 2001

IMPORTANT: THIS IS DATED INFORMATION. Parts must be ordered from a dealer or distributor. Hearth and Home Technologies does not sell directly to consumers. Provide model number and serial number when requesting service parts from your dealer or distributor.



Stocked at Depot

Table with 5 columns: ITEM, DESCRIPTION, COMMENTS, PART NUMBER, Stocked at Depot. Rows include various parts like Fan Kit, Flex Ball Valve Assembly, Junction Box, Mineral Wool, On/Off Rocker Switch, Orifice NG/LP, Piezo Ignitor, Pilot Assembly NG/LP, Thermopile, Thermocouple, Remote, Touch Up Paint, Valve NG/LP, Wire Assembly 24 In, Conversion Kit NG/LP, Pilot Orifice NG/LP, and Regulator NG/LP.