

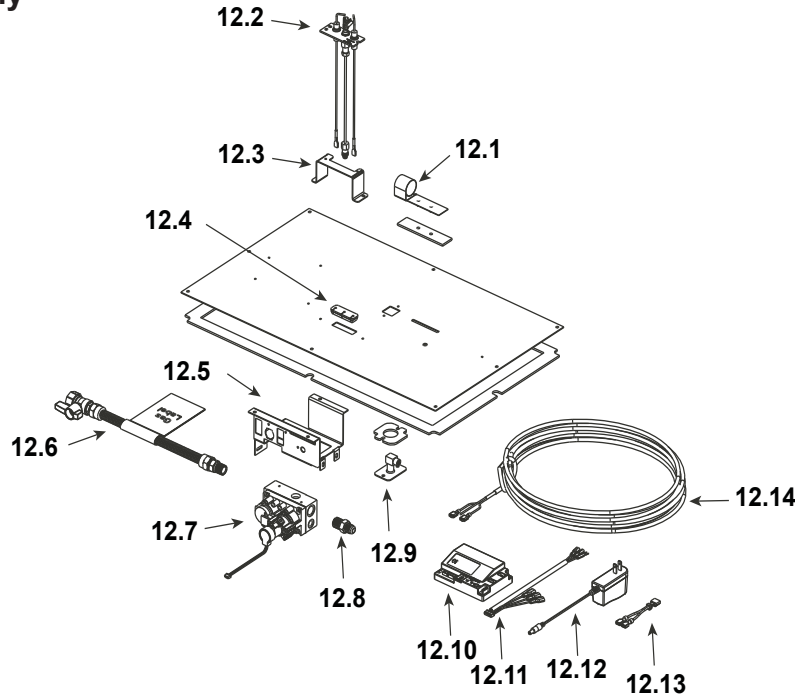
IMPORTANT: THIS IS DATED INFORMATION. Parts must be ordered from a dealer or distributor. **Hearth and Home Technologies does not sell directly to consumers.** Provide model number and serial number when requesting service parts from your dealer or distributor.



**Stocked
at Depot**

ITEM	DESCRIPTION	COMMENTS	PART NUMBER	
1	Non-Combustible Board		2170-136	
2	Refractory Bracket	Qty 2 req	2241-115	
3	Rock Fixture Assembly		2241-040	Y
4	Base Pan Assembly		2242-015	
4	Base Pan Back		2242-114	
4	Base Pan Front		2242-101	
4	Pilot Hood		2241-117	
4	Pilot Shield	Stainless	2241-116	
5	Burner Assembly	NG	SRV2242-007	Y
		LP	SRV2242-008	Y
6	Glass Refractory, Back		2242-200	
7	Glass Refractory, Sides	Qty 2 req	2242-201	
8	Glass Retainer Clips	Pkg of 25	060-235-25	Y
9	Surround Assembly		2170-019	
10	Glass Assembly		GLA-950TR	Y
11	Junction box		SRV4021-013	Y

#12 Valve Assembly



IMPORTANT: THIS IS DATED INFORMATION. Parts must be ordered from a dealer or distributor. **Hearth and Home Technologies does not sell directly to consumers.** Provide model number and serial number when requesting service parts from your dealer or distributor.



Stocked at Depot

ITEM	DESCRIPTION	COMMENTS	PART NUMBER	Stocked at Depot
12.1	Shutter Bracket Assembly		2118-121	Y
12.2	Pilot Assembly, NG		SRV2090-012	Y
	Pilot Assembly, LP		2090-013	Y
12.3	Pilot Bracket		2241-109	
12.4	3-Hole Grommet		SRV2118-420	
12.5	Valve Bracket		2118-104	
12.6	Flex Ball Valve Assembly		SRV302-320	Y
12.7	Valve, NG		2166-302	Y
	Valve, LP		2166-303	Y
12.8	Male Connector	Pkg of 5	303-315/5	Y
12.9	Bulkhead w/FlexTube		SRV7000-156	Y
12.10	Control Module		2166-338	Y
12.11	Wire Harness		2166-304	Y
12.12	Switched DC Regulator		SRV2326-131	Y
12.13	Jumper Wire		SRV2187-198	Y
12.14	Thermostat Wire Assembly		SRV2118-170	Y
	Orifice, NG (#35C)		SRV582-835	Y
	Orifice, LP (#54C)		SRV582-854	Y

Additional service part numbers on following page.



Service Parts

8000CMOD-IPI

No one builds a better fire

Beginning Manufacturing Date: Aug 2010
Ending Manufacturing Date: April 2018

IMPORTANT: THIS IS DATED INFORMATION. Parts must be ordered from a dealer or distributor. **Hearth and Home Technologies does not sell directly to consumers.** Provide model number and serial number when requesting service parts from your dealer or distributor.



Stocked at Depot

ITEM	DESCRIPTION	COMMENTS	PART NUMBER	
	Battery Pack**		SRV2166-323	Y
	**Fuse for battery pack can be sourced locally, not a warranty item. Specs are 250v, 1A fuse, 3/4" long			
	Flue Restrictor	Pre 0023875593	385-128	
		Post 0023875593	385-328	
	Gasket Assembly Includes Vent, Seal Cap, Burner Neck, Shutter Bracket, Manifold and Valve Plate gaskets		2166-081	
	Glass Latch Assembly	Qty 2 req	2382-400	Y
	Media, Standard, 7 lb bags	Clear (Qty 2 req)	4065-111	
	Media (Optional 14 LB bag)	Amber	MEDIA-AMBER-14	
		Black	MEDIA-BLACK-14	
		Cobalt (Blue)	MEDIA-COBALT-14	
	Touch Up Paint		TUP-GBK-12	
	Conversion Kit, NG		N/A	
	Conversion Kit, LP		LPKI-8CM	
	Pilot Orifice, NG		SRV593-528	Y
	Pilot Orifice, LP		SRV593-527	Y
	Regulator, NG		NGK-DXV-50	Y
	Regulator, LP		SRVLPK-DXV-50	Y