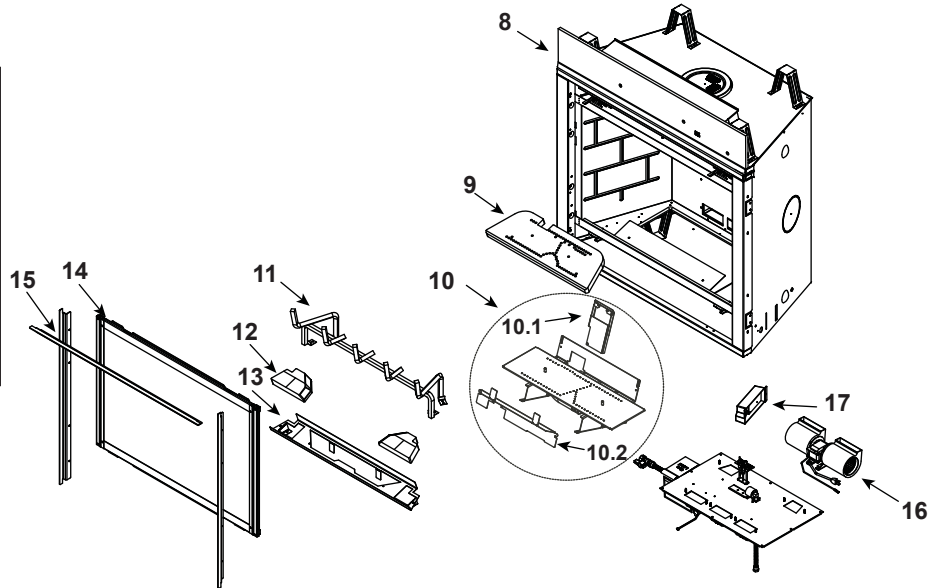
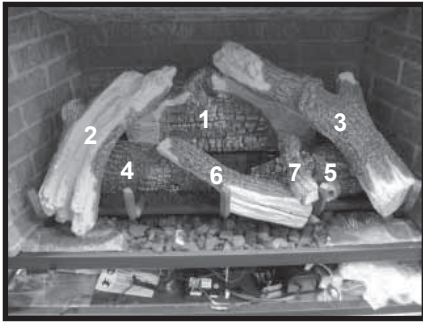


Log Set Assembly



IMPORTANT: THIS IS DATED INFORMATION. Parts must be ordered from a dealer or distributor. **Hearth and Home Technologies does not sell directly to consumers.** Provide model number and serial number when requesting service parts from your dealer or distributor.

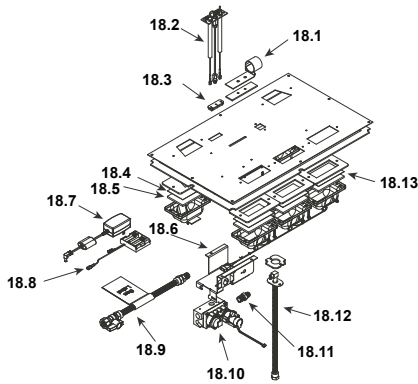


Stocked at Depot

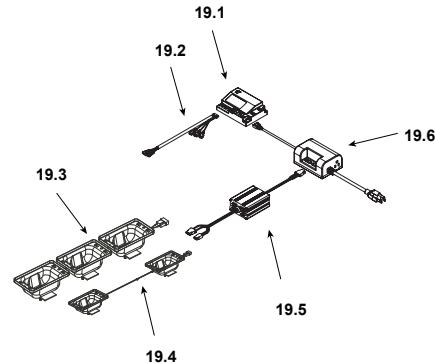
ITEM	DESCRIPTION	COMMENTS	PART NUMBER	
	Log Assembly		LOGS-8000CLX	Y
1	Log #1	Pre SN 0023005864 must order complete set	SRV2170-721	
2	Log #2		SRV2170-722	
3	Log #3		SRV2170-723	
4	Log #4		SRV2170-724	
5	Log #5		SRV2170-725	
6	Log #6		SRV2170-726	
7	Log #7		SRV2166-727	
8	Non-combustible board		2170-136	
9	Burner Top		SRV2170-100	Y
10	Burner Assembly NG		2170-007	Y
	Burner Assembly LP		2170-008	Y
10.1	Air Scoop		2170-188	
10.2	Pilot Cover		2170-181	
11	Grate Assembly		2170-104	
12	Refractory Base	Tan	SRV8CLXBASE-TAN	
		Stratford	SRV8CLXBAS-STRT	
13	Base Refractory Basket		2170-108	
14	Glass Assembly		GLA-8CLX	Y
15	Finishing Strips	Sold as set only	SRVFS-8	
16	Blower		GFK-160A	
17	Junction box		4021-013	Y
	Ember Mesh		2166-113	
	Surround		2170-019	

No one builds a better fire

#18 Valve Assembly



#19 Control Assembly



IMPORTANT: THIS IS DATED INFORMATION. Parts must be ordered from a dealer or distributor. **Hearth and Home Technologies does not sell directly to consumers.** Provide model number and serial number when requesting service parts from your dealer or distributor.



Stocked
at Depot

ITEM	DESCRIPTION	COMMENTS	PART NUMBER	
18.1	Shutter Bracket Assembly		2166-157	Y
18.2	Pilot Assembly, NG		2166-370	Y
	Pilot Assembly, LP		2166-371	Y
	Pilot Tube		SRV485-301	Y
18.3	3-Hole Grommet		2118-420	
18.4	Kapton Lens, Back Lights	Qty 2 req	2166-171	Y
18.5	Glass, 1/4 "	Qty 5 req	2166-163	Y
18.6	Valve Bracket		2118-104	
18.7	Transformer		2326-131	Y
18.8	Battery Pack**		2166-323	Y
18.9	Flex Ball Valve Assembly		302-320A	Y
18.10	Valve, NG		2166-302	Y
	Valve, LP		2166-303	Y
18.11	Male Connector	Pkg of 5	303-315/5	Y
18.12	Bulkhead W/Flex tube		2166-119	Y
18.13	Kapton Lens , Front Lights	Qty 3 req	2166-184	Y
19	Control Assembly			
19.1	Module		2166-307	Y
19.2	Wire Harness		2166-304	Y
19.3	3-Gang LED Assembly	Ember	2166-315	Y
19.4	2-Gang LED Assembly	Accent	2166-316	Y
19.5	LED Controller		2166-336	Y
19.6	RC300 AUX		2166-335	Y
	Orifice, NG #30C		582-830	Y
	Orifice, LP #47C		582-847	Y

**Fuse for battery pack can be sourced locally, not a warranty item. Specs are 250v, 1A fuse, 3/4" long

Additional service parts on following page.



Service Parts

8000CLX-IPI-S, 8000CLX-IPI-T

Beginning Manufacturing Date: Aug 2009
Ending Manufacturing Date: Active

No one builds a better fire

IMPORTANT: THIS IS DATED INFORMATION. Parts must be ordered from a dealer or distributor. **Hearth and Home Technologies does not sell directly to consumers.** Provide model number and serial number when requesting service parts from your dealer or distributor.



**Stocked
at Depot**

ITEM	DESCRIPTION	COMMENTS	PART NUMBER	
	Flue Restrictor	Pre 0023875593	385-128	
		Post 0023875593	385-328	
	Gasket Assembly Contains: Vent, Burner Neck, Valve, LED, and Adjustable Air Shutter Gaskets		2166-081	
	Glass Latch Assembly	Qty 4 req	2155-045	Y
	Mineral Wool		050-721	
	Remote		2166-330	Y
	Teco-Sil, 5lb. Bag White Ember Bed Rock		700-790	
	Touch Up Paint		TUP-GBK-12	
	Touch Up Paint, Logs	Black	SRV999-404	
		Brown	SRV999-403	
		Split	SRV999-472	
	Refractory Kit Tan		SRV8CLXREF-TAN	
	Back Refractory (-T)		SRV2170-714	
	Left Refractory (-T)		SRV2170-715	
	Right Refractory (-T)		SRV2170-716	
	Top Refractory (-T)		SRV2170-717	
	Refractory Kit Stratford		SRV8CLXREF-STRT	
	Back Refractory (-S)		SRV2170-710	
	Left Refractory (-S)		SRV2170-711	
	Right Refractory (-S)		SRV2170-712	
	Top Refractory (-S)		SRV2170-713	
	Conversion Kit NG		NGKI-8CLX	Y
	Conversion Kit LP		LPKI-8CLX	Y
	Pilot Orifice, NG		593-528	Y
	Pilot Orifice, LP		593-527	Y
	Regulator, NG		NGK-DXV-50	Y
	Regulator, LP		LPK-DXV-50	Y