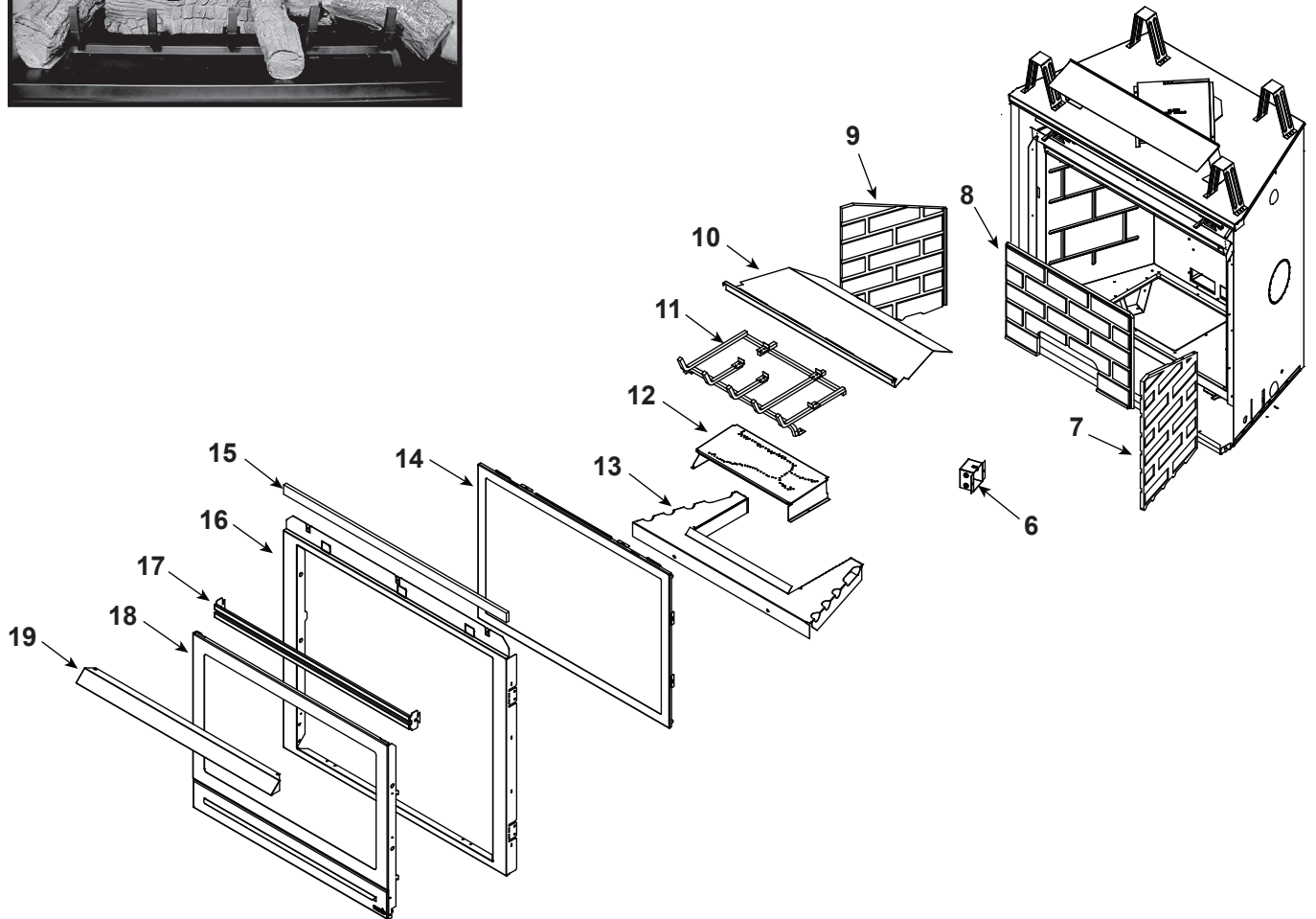


Log Set Assembly



Part number list on following page.



No one builds a better fire

Beginning Manufacturing Date: Jan 2004
Ending Manufacturing Date: May 2014

IMPORTANT: THIS IS DATED INFORMATION. Parts must be ordered from a dealer or distributor. **Hearth and Home Technologies does not sell directly to consumers.** Provide model number and serial number when requesting service parts from your dealer or distributor.

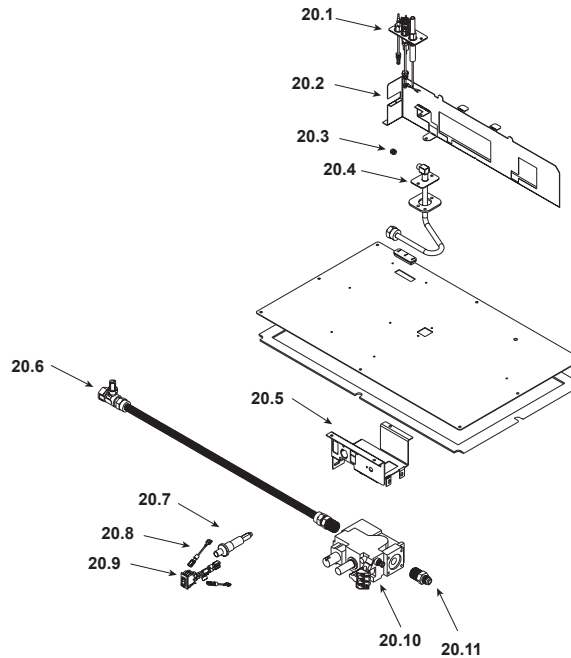
ITEM	DESCRIPTION	COMMENTS	PART NUMBER
	Log Set Assembly		LOGS-6TRSCE
1	Log #1	No longer available, Must order complete assembly	SRV2049-700
2	Log #2		SRV2049-701
3	Log #3		SRV385-723
4	Log #4		SRV385-721
5	Log #5		SRV385-722
6	Junction Box	No longer available	546-250A
	Refractory Kit	No longer available	BRICK-6000-FB
7	Refractory, Right	No longer available	SRV2027-372
8	Refractory, Back	No longer available	SRV2027-370
9	Refractory, Left	No longer available	SRV2027-371
10	Exhaust Baffle	No longer available	2049-101
11	Grate		SRV2049-020
12	Burner Assembly N		2049-010
	Burner Assembly P		2049-012
	Burner Assembly B		2049-014
13	Base Refractory	No longer available	2049-102
14	Glass Door Assembly		GLA-6TRXI
15	Insulation Board	No longer available	385-401
16	Surround	No longer available	SRV2101-260
		No longer available	2166-019
17	Top Louver	No longer available	392-182A
18	Dress Guard	No longer available	392-180A
19	Hood		SRV60-143-BK
	Gasket Assembly		2166-081
	Contains Burner neck, shutter bracket, vent, seal cap, and valve plate gaskets		
	Glass Latch Assembly	Pkg of 2	33858/2
	High Temp Limit Switch		SRV046-018A
	Exhaust Restrictor		530-299
	Mineral Wool		050-721
	Touch-Up Paint		TUP-GBK-12

Additional service part numbers appear on following page.

No one builds a better fire

Beginning Manufacturing Date: Jan 2004
Ending Manufacturing Date: May 2014

#20 Valve Assembly



IMPORTANT: THIS IS DATED INFORMATION. Parts must be ordered from a dealer or distributor. **Hearth and Home Technologies does not sell directly to consumers.** Provide model number and serial number when requesting service parts from your dealer or distributor.

ITEM	DESCRIPTION	COMMENTS	PART NUMBER
20.1	Pilot Assembly N	No longer available	529-550A
	Pilot Assembly P/B	No longer available	529-551A
20.2	Pilot Bracket	No longer available	2049-105
20.3	Orifice N (#33C)		582-833
	Orifice P (1.8 MM)	No longer available	582-818
	Orifice B (#52C)		SRV582-852
20.4	12" Flex		383-302A
20.5	Valve Bracket		2118-104
20.6	Flex Assembly	No longer available	302-330A
20.7	Piezo Ignitor		SRV14D0503
20.8	Wire Assembly	No longer available	049-552A
20.9	On/ Off Rocker Switch		060-521A
20.10	Valve N	No longer available	060-524
	Valve P	No longer available	060-526
20.11	Male Connector	Pkg of 5	303-315/5
	Conversion Kits		
	Propane to Natural	No longer available	NGK-6TRS-CE
	Natural to Propane	No longer available	LPK-6TRS-CE
	Propane to Butane	No longer available	BGK-6TRS-CE
	Regulator N		SRV230-1570
	Regulator P/B		SRV230-1520
	Pilot Orifice N		SRV529-512
	Pilot Orifice P/ B		SRV200-2630