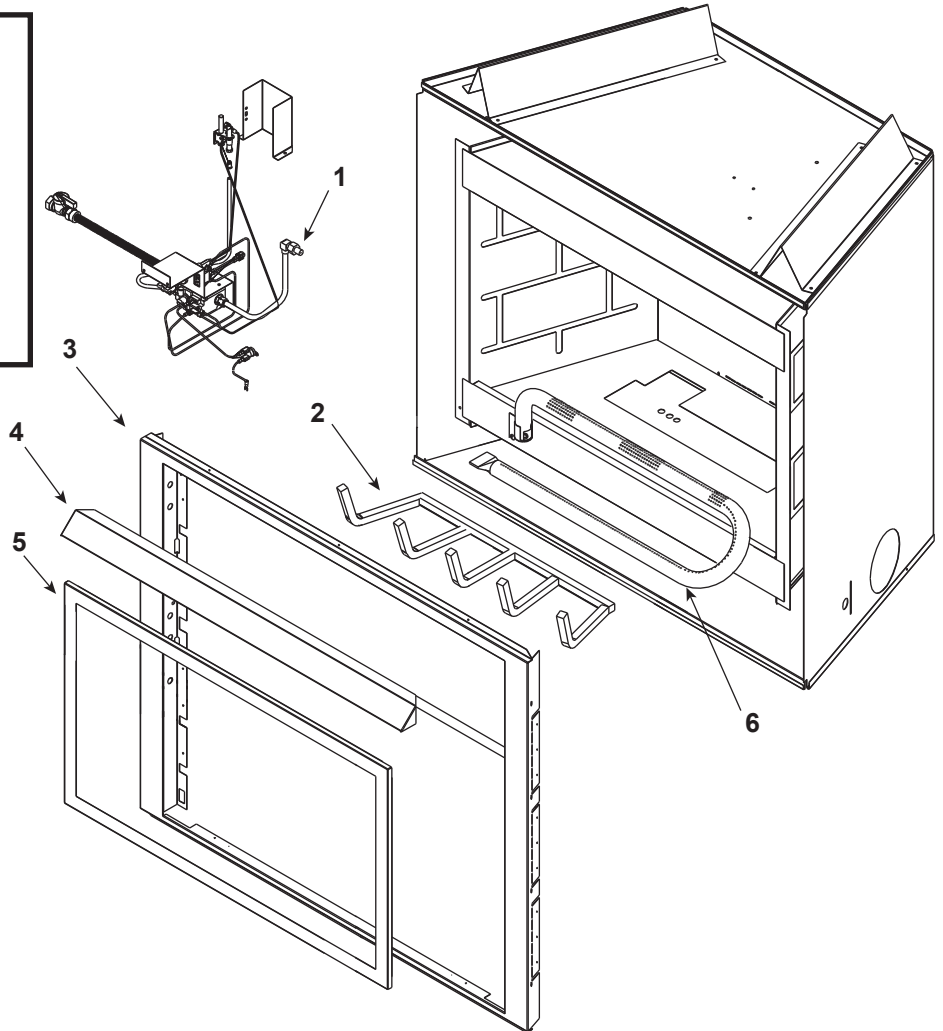
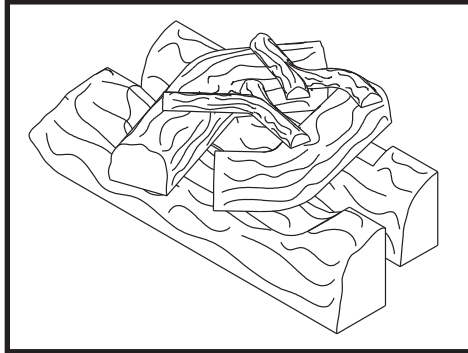


### Log Set Assembly



IMPORTANT: THIS IS DATED INFORMATION. Parts must be ordered from a dealer or distributor. **Hearth and Home Technologies does not sell directly to consumers.** Provide model number and serial number when requesting service parts from your dealer or distributor.



**Stocked at Depot**

ITEM	DESCRIPTION	COMMENTS	PART NUMBER	
	Log Set Assembly	No longer available	LOGS-24S	
1	Burner Orifice NG (#38A)	No longer Available	057-800	
	Burner Orifice LP (#52A)	No longer Available	057-801	
2	Grate Assembly	No longer available	SRV414-360	
3	Surround	No longer available	SRV414-130	
4	Hood		SRV60-143-BK	
5	Glass Door Assembly	( Wing Nut )	GLA-DV36	Y
		( Tab )	GLA-6FL	Y

Additional service part numbers appear on following page.

No one builds a better fire

Beginning Manufacturing Date: June 1989  
Ending Manufacturing Date: May 1995

IMPORTANT: THIS IS DATED INFORMATION. Parts must be ordered from a dealer or distributor. **Hearth and Home Technologies does not sell directly to consumers.** Provide model number and serial number when requesting service parts from your dealer or distributor.



**Stocked  
at Depot**

ITEM	DESCRIPTION	COMMENTS	PART NUMBER	
	Burner NG	No longer Available	060-336A	
	Burner LP (No longer available)	No longer Available	060-335A	
	Burner NG	No longer Available	073-326A	
	Burner LP	No longer Available	073-325A	
	Burner Tube	No longer Available	570-302A	
	Decorative Front (Call Tech before ordering, photo required)	No longer Available	DF-36H	
	High Temp Limit Switch NG	Pre 65681	SRV4021-383	Y
		Post 65681	092-531	Y
	High Temp Limit Switch LP	Pre 21249	SRV4021-383	Y
		Post 21249	092-531	Y
	Junction Box		100-250A	Y
	Microswitch		060-514	Y
	Piezo Ignitor		291-513	Y
	Pilot Assembly NG		446-512A	Y
	Pilot Assembly LP		446-513A	Y
	Pilot Tube		SRV446-301	Y
	Refractory, Base Pan	No longer Available	073-117	
	Touch Up Paint		TUPB-12	
	Valve NG		040-500	Y
	Valve LP		040-501	Y
<b>Standing Pilot Conversion Kits</b>				
	Conversion Kit NG	No longer Available	NGK-DV93	
	Conversion Kit LP	No longer Available	LPK-DV93	
	Pilot Orifice NG		SRV446-505	Y
	Pilot Orifice LP		SRV446-517	Y
	Regulator NG		SRV060-518	Y
	Regulator LP		060-519	Y
<b>HSI IGNITION ONLY</b>				
	Valve, NG/LP ( LP conversion option included )	No longer Available	060-503	
	Ignitor	No longer Available	060-593	
	Microswitch		040-520A	
	Module	No longer Available	060-592	
	Transformer	No longer Available	060-599	