

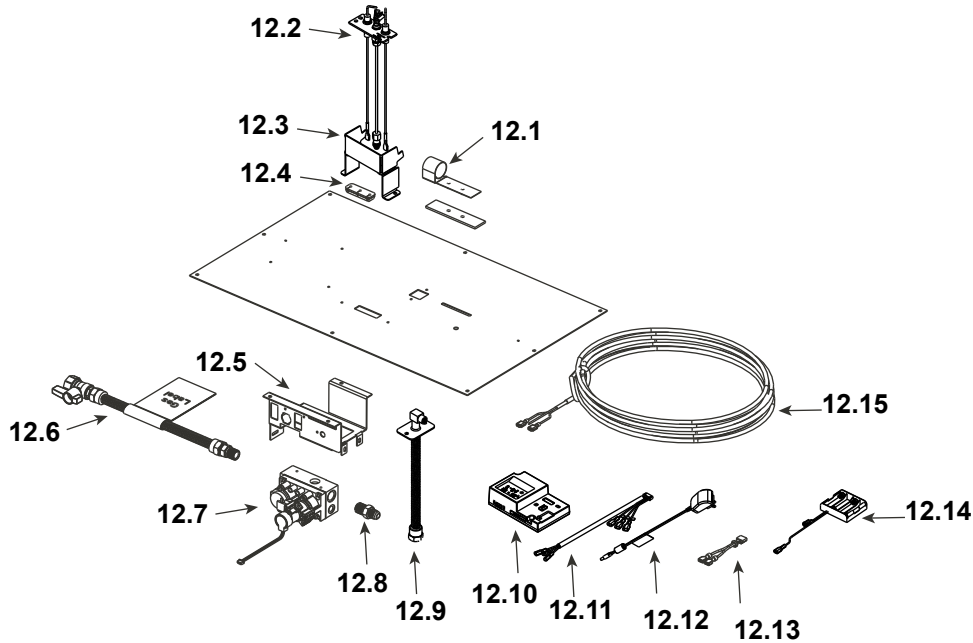
IMPORTANT: THIS IS DATED INFORMATION. Parts must be ordered from a dealer or distributor. **Hearth and Home Technologies does not sell directly to consumers.** Provide model number and serial number when requesting service parts from your dealer or distributor.



Stocked at Depot

ITEM	DESCRIPTION	COMMENTS	PART NUMBER	
1	Non-Combustible Board		2166-136	
2	Refractory Bracket	Qty 2 req	2241-115	
3	Rock Fixture Assembly		2241-040	Y
4	Base Pan Assembly		2241-015	
4.1	Base Pan Back		2241-114	
4.2	Base Pan Front		2241-101	
4.3	Pilot Hood		2241-117	
4.4	Pilot Shield	Stainless	2241-116	
5	Burner Assembly		SRV2509-006	Y
6	Glass Refractory, Back		2509-700	
7	Glass Refractory, Sides	Qty 2 req	2509-701	
8	Glass Retainer Clips	Pkg of 25	060-235-25	Y
9	Surround Assembly	No longer available	2166-019	
10	Glass Assembly		GLA2506-018	Y
11	Junction box		SRV4021-013	Y

#12 Valve Assembly



IMPORTANT: THIS IS DATED INFORMATION. Parts must be ordered from a dealer or distributor. **Hearth and Home Technologies does not sell directly to consumers.** Provide model number and serial number when requesting service parts from your dealer or distributor.



Stocked at Depot

ITEM	DESCRIPTION	COMMENTS	PART NUMBER	Stocked at Depot
12.1	Shutter Bracket Assembly		2118-121	Y
12.2	Pilot Assembly, NG		SRV2090-012	Y
12.3	Pilot Bracket		SRV2241-109-BK	
12.4	3-Hole Grommet		SRV2118-420	
12.5	Valve Bracket		2118-104	
12.6	Flex Ball Valve Assembly		SRV302-320	Y
12.7	Valve, NG		SRV2166-302	Y
12.8	Male Connector	Pkg of 5	303-315/5	Y
12.9	Bulkhead w/FlexTube		SRV7000-156	Y
12.10	Module, IFT Control		SRV2326-130	Y
12.11	Harness, IFT 6 Pin Wiring		SRV2326-132	Y
12.12	Transformer, 6 Volt Wall		SRV2326-131	Y
12.13	Jumper Wire		SRV2187-198	Y
12.14	Battery Pack**		SRV2326-134	Y
12.15	Thermostat Wire Assembly		SRV2118-170	Y
	Orifice, NG (#35C)		SRV582-835	Y

**Fuse for battery pack can be sourced locally, not a warranty item. Specs are 250v, 3A fuse, 3/4" long

Additional service part numbers on following page.

