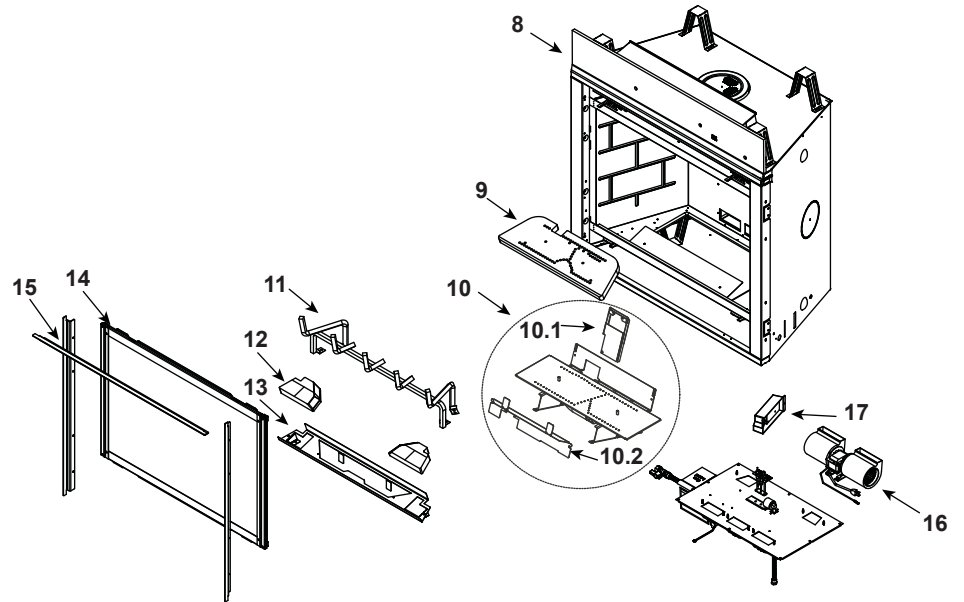
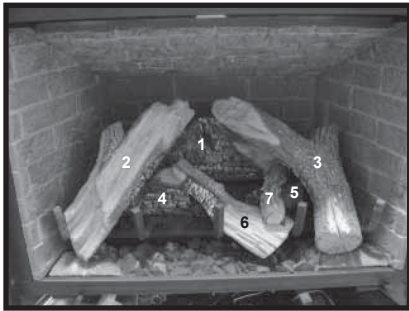


Log Set Assembly



IMPORTANT: THIS IS DATED INFORMATION. Parts must be ordered from a dealer or distributor. **Hearth and Home Technologies does not sell directly to consumers.** Provide model number and serial number when requesting service parts from your dealer or distributor.



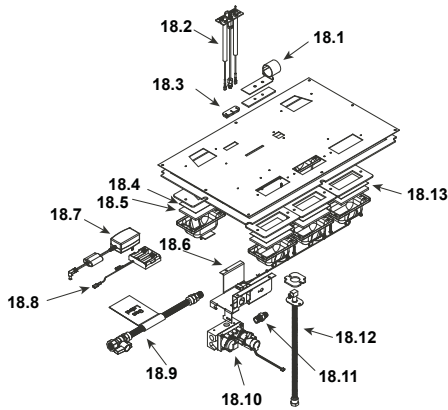
Stocked at Depot

ITEM	DESCRIPTION	COMMENTS	PART NUMBER	
	Log Assembly	Pre 5/15/16, Must order complete set	LOGS-6000CLX	Y
1	Log #1		SRV2166-721	
2	Log #2		SRV2166-722	
3	Log #3		SRV2166-723	
4	Log #4		SRV2166-724	
5	Log #5		SRV2166-725	
6	Log #6		SRV2166-726	
7	Log #7		SRV2166-727	
8	Non-combustible board		2166-136	
9	Burner Top		SRV2166-100	Y
10	Burner Assembly NG		2166-007	Y
	Burner Assembly LP		2165-008	Y
10.1	Air Scoop		2170-188	
102	Pilot Cover		2170-181	
11	Grate Assembly		2166-104	
12	Refractory Base	Tan	SRV6CLXBASE-TAN	
		Stratford	SRV6CLXBAS-STRT	
13	Base Refractory Basket		2166-108	
14	Glass Assembly		GLA-6GLX	Y
15	Finishing Strips	Sold as set only	SRVFS-6	
16	Blower		GFK-160A	
17	Junction box		SRV4021-013	Y
	Ember Mesh		2166-113	
	Surround		2166-019	

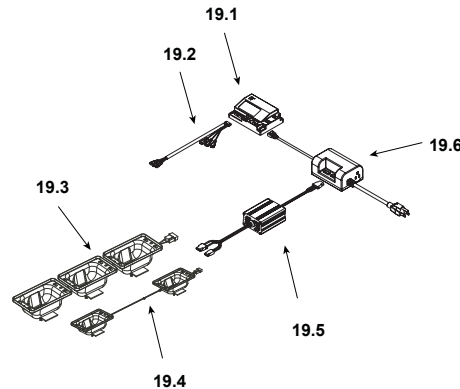
No one builds a better fire

Beginning Manufacturing Date: Aug 2009
Ending Manufacturing Date: April 2018

#18 Valve Assembly



#19 Control Assembly



IMPORTANT: THIS IS DATED INFORMATION. Parts must be ordered from a dealer or distributor. **Hearth and Home Technologies does not sell directly to consumers.** Provide model number and serial number when requesting service parts from your dealer or distributor.



Stocked at Depot

ITEM	DESCRIPTION	COMMENTS	PART NUMBER	
18.1	Shutter Bracket Assembly		2166-157	Y
18.2	Pilot Assembly, NG		2166-370	Y
	Pilot Assembly, LP		2166-371	Y
	Pilot Tube		SRV485-301	Y
18.3	3-Hole Grommet		SRV2118-420	
18.4	Kapton Lens, Back Lights	Qty 2 req	2166-171	Y
18.5	Glass, 1/4 "	Qty 5 req	2166-163	Y
18.6	Valve Bracket		2118-104	
18.7	Transformer		SRV2326-131	Y
18.8	Battery Pack**		SRV2166-323	Y
18.9	Flex Ball Valve Assembly		SRV302-320	Y
18.10	Valve, NG		2166-302	Y
	Valve, LP		2166-303	Y
18.11	Male Connector	Pkg of 5	303-315/5	Y
18.12	Bulkhead W/Flex tube		2166-119	Y
18.13	Kapton Lens , Front Lights	Qty 3 req	2166-184	Y
19	Control Assembly			
19.1	Module		2166-347	Y
19.2	Wire Harness		2166-304	Y
19.3	3-Gang LED Assembly	Ember	2166-315	Y
19.4	2-Gang LED Assembly	Accent	2166-316	Y
19.5	LED Controller		2166-336	Y
19.6	RC300 AUX		2166-335	Y
	Orifice, NG (0.124)		582-8124	Y
	Orifice, LP (#49C)		SRV582-849	Y

*Fuse for battery pack can be locally sourced, not a warranty item. Specs are 250v, 1A fuse, 3/4" long

Additional service part numbers on following page.



Service Parts

6000CLX-IPI-S, 6000CLX-IPI-T

No one builds a better fire

Beginning Manufacturing Date: Aug 2009
Ending Manufacturing Date: April 2018

IMPORTANT: THIS IS DATED INFORMATION. Parts must be ordered from a dealer or distributor. **Hearth and Home Technologies does not sell directly to consumers.** Provide model number and serial number when requesting service parts from your dealer or distributor.



Stocked at Depot

ITEM	DESCRIPTION	COMMENTS	PART NUMBER	
	Flue Restrictor	Pre 0023875593	385-128	
		Post 0023875593	385-328	
	Gasket Assembly Contains: Vent, Burner Neck, Valve, LED, and Adjustable Air Shutter Gaskets		2166-081	
	Glass Latch Assembly	Qty 4 req	2155-045	Y
	Mineral Wool		050-721	
	Remote		2166-330	Y
	Teco-Sil, 5lb. Bag White Ember Bed Rock		700-790	
	Touch Up Paint		TUP-GBK-12	
	Touch Up Paint, Logs		2372-099	
	Refractory Kit Tan		SRV6CLXREF-TAN	
	Back Refractory (-T)		SRV2166-714	
	Left Refractory (-T)		SRV2166-715	
	Right Refractory (-T)		SRV2166-716	
	Top Refractory (-T)		SRV2166-717	
	Refractory Kit Stratford		SRV6CLXREF-STRT	
	Back Refractory (-S)		SRV2166-710	
	Left Refractory (-S)		SRV2166-711	
	Right Refractory (-S)		SRV2166-712	
	Top Refractory (-S)		SRV2166-713	
	Conversion Kit NG		NGKI-6CLX	
	Conversion Kit LP		LPKI-6CLX	
	Pilot Orifice, NG		SRV593-528	Y
	Pilot Orifice, LP		SRV593-527	Y
	Regulator, NG		NGK-DXV-50	Y
	Regulator, LP		SRVLPK-DXV-50	Y