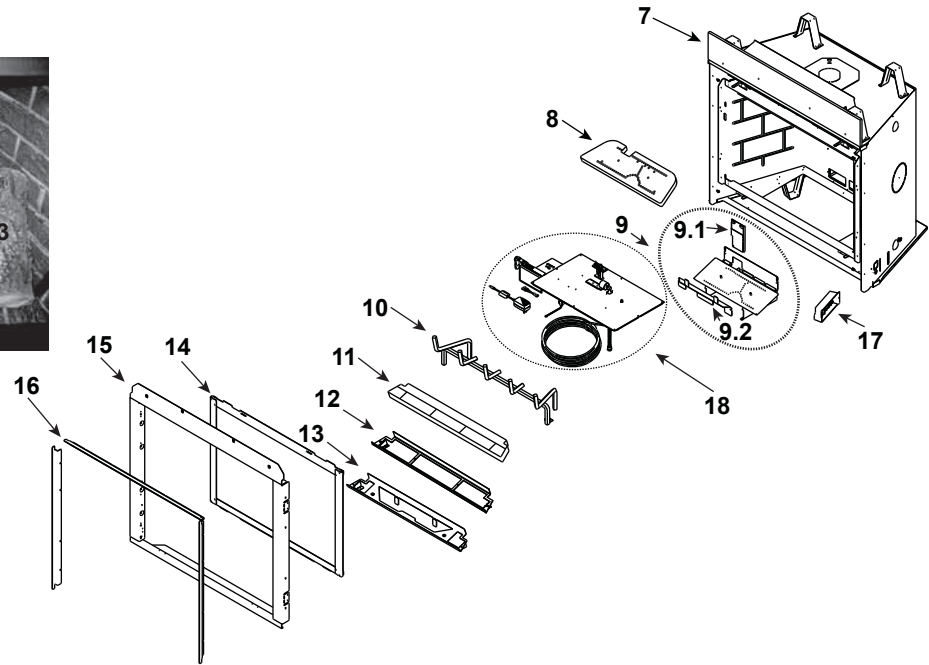
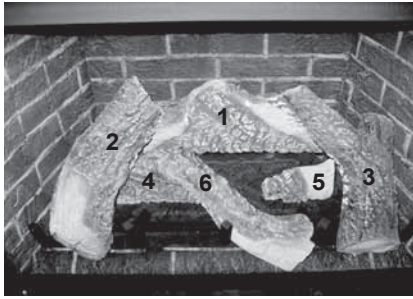


### Log Set Assembly



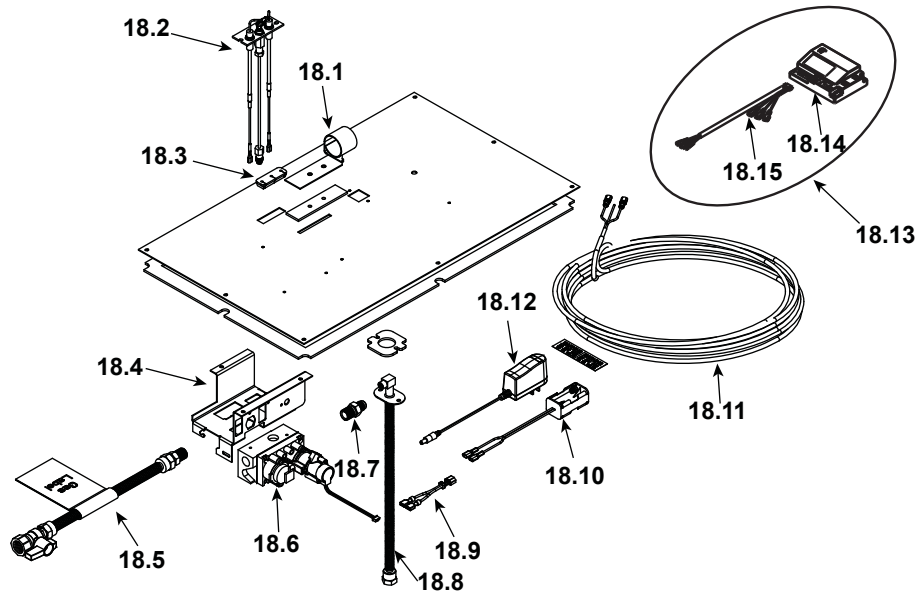
IMPORTANT: THIS IS DATED INFORMATION. Parts must be ordered from a dealer or distributor. **Hearth and Home Technologies does not sell directly to consumers.** Provide model number and serial number when requesting service parts from your dealer or distributor.



**Stocked  
at Depot**

ITEM	DESCRIPTION	COMMENTS	PART NUMBER	
	Log Set Assembly		LOGS-6C	Y
1	Log 1	<b>Pre 5/15/16 must order complete assembly</b>	SRV2164-701	
2	Log 2		SRV2164-702	
3	Log 3		SRV2164-703	
4	Log 4		SRV2164-704	
5	Log 5		SRV2164-705	
6	Log 6		SRV2164-706	
7	Insulation Board		2166-136	
8	Burner Top		SRV2166-100	Y
9	Burner NG		2164-007	Y
	Burner LP		2164-008	Y
9.1	Air Scoop		2170-188	
9.2	Pilot Cover		2170-181	
10	Log Grate		2166-104	
11	Base Refractory		SRV6BASE-STRAT	
12	Refractory Basket		2166-108	
13	Air Cover		2164-144	
14	Glass Door Assembly		GLA-6000G	Y
15	Surround Assembly		2166-019	
16	Finishing Strips (Sold as kit only)		SRVFS-6	
17	Junction Box		SRV4021-013	Y

### #18 Valve Assembly



IMPORTANT: THIS IS DATED INFORMATION. Parts must be ordered from a dealer or distributor. **Hearth and Home Technologies does not sell directly to consumers.** Provide model number and serial number when requesting service parts from your dealer or distributor.



**Stocked  
at Depot**

ITEM	DESCRIPTION	COMMENTS	PART NUMBER	
18.1	Shutter Bracket Assembly		2166-157	Y
18.2	Pilot Assembly NG		2166-370	Y
	Pilot Assembly LP		2166-371	Y
	Pilot Tube		SRV485-301	Y
18.3	3-hole Grommet		SRV2118-420	
18.4	Valve Bracket		2118-104	
18.5	Flex Ball Valve Assembly		SRV302-320	Y
18.6	Valve NG		2166-302	Y
	Valve LP		2166-303	Y
18.7	Male Connector	Pkg of 5	303-315/5	Y
18.8	Bulkhead W/Tube		2166-119	Y
18.9	Jumper Wire		SRV2187-198	Y
18.10	Battery Pack**		SRV2166-323	Y
18.11	Wall Switch Wire Assembly		SRV2118-170	Y
18.12	Transformer		SRV2326-131	Y
18.13	Control Assembly		SRV2164-030	Y
18.14	Module		2166-347	Y
18.15	Wire Harness		2166-304	Y
	Burner Orifice NG (#37C)		582-837	Y
	Burner Orifice LP (#50C)		582-850	Y

\*\*Fuse for battery pack can be sourced locally, not a warranty item. Specs are 250v, 1A fuse, 3/4" long

Additional service part numbers appear on following page.



Service Parts

6000C-IPI, 6000C-IPILP

No one builds a better fire

Beginning Manufacturing Date: Aug 2009
Ending Manufacturing Date: April 2018

IMPORTANT: THIS IS DATED INFORMATION. Parts must be ordered from a dealer or distributor. Hearth and Home Technologies does not sell directly to consumers. Provide model number and serial number when requesting service parts from your dealer or distributor.



Stocked at Depot

Table with columns: ITEM, DESCRIPTION, COMMENTS, PART NUMBER, Stocked at Depot. Rows include parts like Exhaust Shield, Flue Restrictor, Gasket Assembly, Glass Latch Support, Mineral Wool, Touch Up Paint, Conversion Kit NG/LP, Regulator NG/LP, and Pilot Orifice NG/LP.