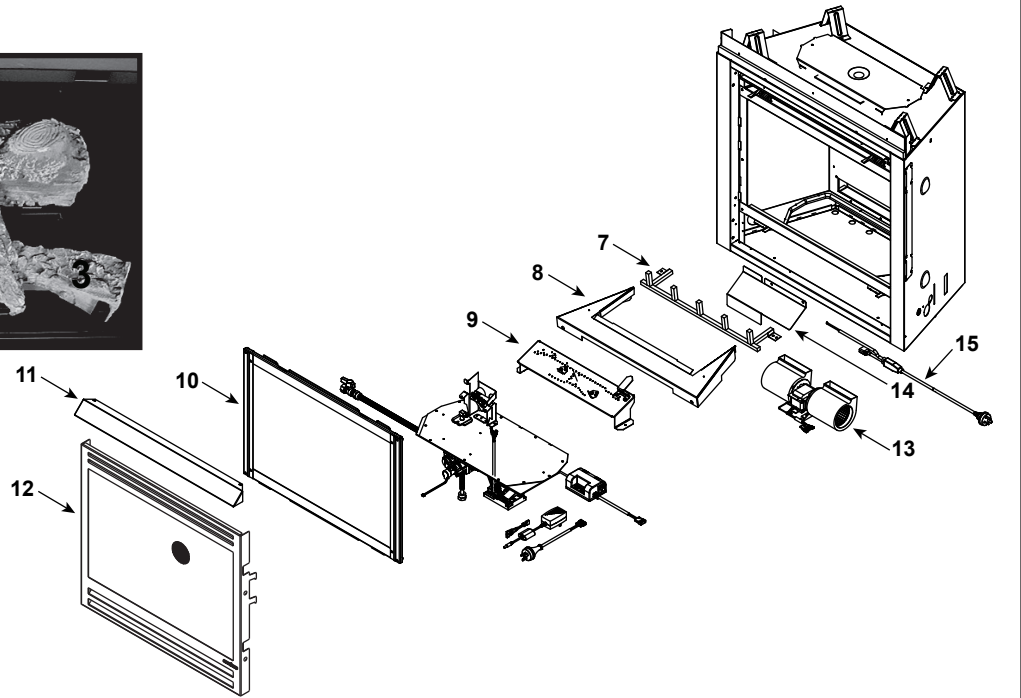
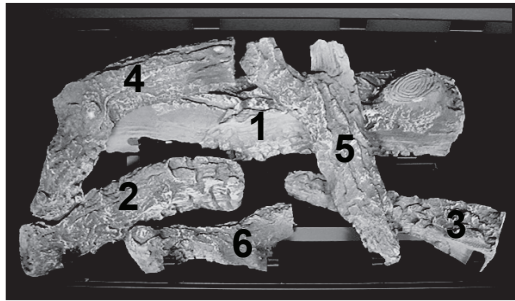


### Log Set Assembly

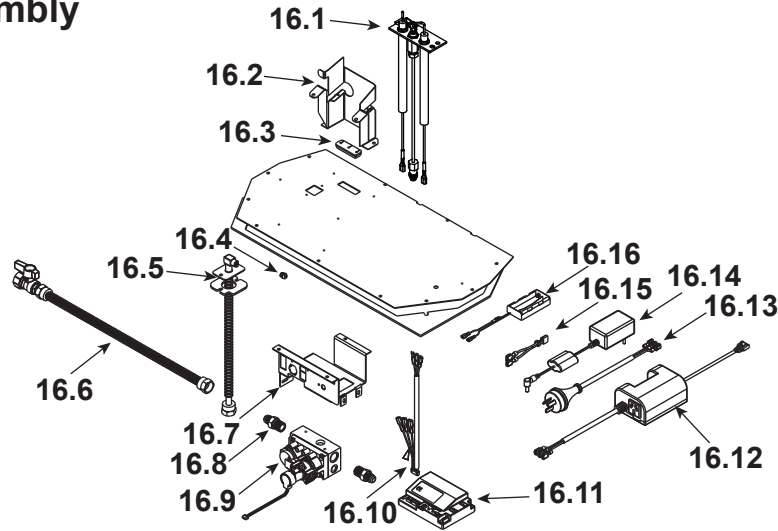


**IMPORTANT: THIS IS DATED INFORMATION.** Parts must be ordered from a dealer or distributor. **Hearth and Home Technologies does not sell directly to consumers.** Provide model number and serial number when requesting service parts from your dealer or distributor.

ITEM	DESCRIPTION	COMMENTS	PART NUMBER
	Log Set Assembly		LOGS-350CE-D
1	Log #1	<b>Pre 5/15/16, Must order complete assembly</b>	SRV327-701
2	Log #2		SRV2033-701
3	Log #3		SRV705-703
4	Log #4		SRV530-716
5	Log #5		SRV438-724
6	Log #6		SRV540-704
7	Grate Assembly	<b>No longer available</b>	SRV2033-013
8	Base Pan	<b>No longer available</b>	SRV2033-105
9	Burner Assembly N		2089-010
	Burner Assembly P		2089-012
10	Glass Assembly		GLA-3504TRS
11	Hood	<b>No longer available</b>	SRV540-174
12	Door Assembly		2089-080
13	Blower 240 Volt Assembly		GFK-240V
14	Vanity Panel	<b>No longer available</b>	SRV2078-182-BK
15	Junction Cord Assembly		2222-037
	Dress Guard		2033-020
	Lower Door Assembly	<b>No longer available</b>	2033-042
	Lower Door Stop	<b>No longer available</b>	2033-125

Additional service parts appear on following page.

### #16 Valve Assembly



IMPORTANT: THIS IS DATED INFORMATION. Parts must be ordered from a dealer or distributor. **Hearth and Home Technologies does not sell directly to consumers.** Provide model number and serial number when requesting service parts from your dealer or distributor.

ITEM	DESCRIPTION	COMMENTS	PART NUMBER
16.1	***Pilot Assembly N	Pre 0022995989	2198-014
		Post 0022995989	2166-370
	***Pilot Assembly P	Pre 002299589	2198-015
		Post 0022995989	2166-371
16.2	Pilot Bracket	<b>No longer available</b>	SRV2089-104
16.3	3-Hole Grommet		SRV2118-420
16.4	Orifice N (#44C)		582-844
	Orifice P (#55C)		582-855
	Orifice B (#56C)		582-856
16.5	12 in Flex Tube Assembly		383-302A
16.6	18 in Flex Tube Assembly		2098-320A
16.7	Valve Bracket		2118-104A
16.8	Male Connector	Pkg of 5	303-315/5
16.9	Valve N		SRV2166-302
	Valve P		2166-303
16.10	Wire Harness		2166-304
16.11	Module, Gray		2166-306
16.12	AUX300-CE, Pre SN #0023019789 must also order Jumper Wire (2166-375)		2166-340
16.13	Jumper Wire, Fan to Aux		2166-375
16.14	Transformer, 6 Volt Wall		SRV2326-131
16.15	Jumper wire		SRV2187-198
16.16	Battery Pack**		4067-223

\*\*Fuse for battery pack can be sourced locally, not a warranty item. Specs are 500mA~10A 3/4" long

\*\*\*If ordering post pilot assembly with a Pre serial number must also order SRV2089-104

Additional service parts appear on following page.

