

SOMMERSBY TRADITIONAL HOME



FEATURING THE SLIMLINE SERIES
GAS FIREPLACES

HEAT & GLO®

No one builds a better fire



PROJECT TYPE

New Construction, Single Family Home

LOCATION

St. Cloud, Minnesota

DESIGNER

Michelle Hollenhorst, Pink Petal Design

ARCHITECT

KD Design Studio

BUILDER

Regency Builders

SQUARE FOOTAGE

3,600

FLOORS

3

BEDROOMS

4

BATHROOMS

3

MODEL

SL-5 SlimLine gas fireplace

THE CHALLENGE

At its core, the design of this home needed to accommodate the functional needs of a growing family while also allowing for the classic aesthetics and personality of the home to shine. The client desired an energy-efficient home with an open floor plan with lots of natural light and accessibility; a distinct challenge when building in a location with seasonal weather extremes.

THE PROJECT

Classic elements common to American homes in the Midwest were mixed with a fusion of country and modern finishes for a distinct, but timeless feel. All 90 degree outside corners in the interior of the house are chamfered – a natural child-proofing mechanism. “I wanted to create inviting, safe living spaces, but also maintain a cozy feel – nothing too huge that you get lost in it,” said designer Michelle Hollenhorst, who provided interior direction.

The home embodies the idea of the contemporary classic with its plank floors, large hardwood moldings and seamless color accents and textures. “The client loved traditional American and French country styles, so there are little and big hints of this everywhere in the home,” explained Hollenhorst.

Including a fireplace in the design was crucial in creating an inviting and comfortable atmosphere for the home’s connected kitchen, dining and living area. “It’s the room the family spends the most time in, so having a fireplace as a focal point for gathering was essential” says Hollenhorst who utilized the Heat & Glo SL-5 SlimLine gas fireplace for this project, both for its clean lines and value. “It’s extremely economical, efficient and has the traditional footprint we wanted to use with the custom wood mantel. We wanted to maximize style and functionality, but remain practical and accessible for the homeowner.”



Accommodating the client’s budget was a top priority in this project, requiring designer Michelle Hollenhorst to deliver stunning results with a cost-effective price tag. “We all fall in love with multimillion dollar homes, but that’s just not a reality for most people,” stated Hollenhorst. “We didn’t cut corners, we just made decisions to add quality features that truly present value and are very complementary to the home’s design.”

With an MSRP of \$1,628, the Heat & Glo SL-5 SlimLine gas fireplace delivered value. The greater SlimLine series, which includes smaller and larger models, offers units with the fit, feel and finishes to match your home type – from entry-level and move-up to high-end custom builds.

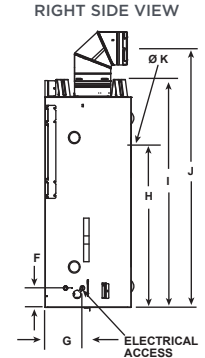
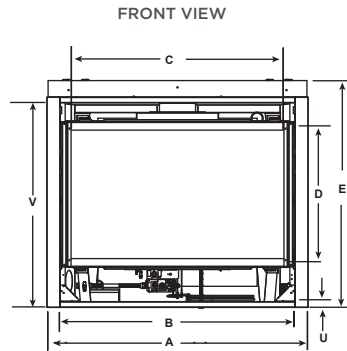
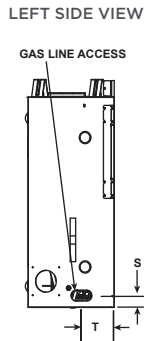
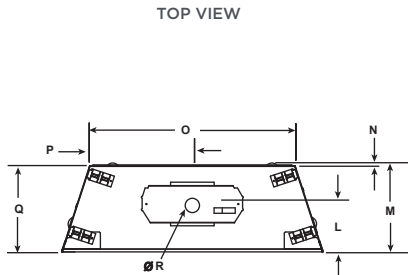
SLIMLINE SERIES

GAS FIREPLACE

SlimLine fireplaces fit where others don’t. Slender profiles make unique installations a reality. Bring your vision to life with multiple models, sizes and finishing options. The ideal combination of flame, glow and logs create a fireside experience you never want to leave. Upgrade the ambiance even more with the enhanced details of the X Collection.

RIGHT SIZE, RIGHT SPACE.

Find the right fire to fill your space. Select from 28, 32, 36 and 42-inch wide sizes. Let creative installations inspire. At just 16 inches deep, space is no longer a constraint.



MODEL	A	B	C	D	E	F	G	H	I	J	K	L	M	N	O	P	Q	R	S	T	U	V
SL-3X	33 [838]	28-1/8 [714]	24-1/8 [613]	16 [406]	32-1/8 [816]	3-1/2 [90]	6-7/8 [175]	21-3/8 [543]	32-3/8 [822]	34-1/2 [877]	8 [203]	8-3/4 [222]	16-1/4 [413]	1/2 [13]	22-3/4 [578]	11-3/8 [289]	15-7/8 [403]	6-5/8 [168]	2-1/8 [54]	6 [153]	1 [25]	28 [712]
SL-5 SL-5X	36 [913]	31-1/8 [791]	27-3/16 [691]	18-1/16 [459]	34-1/16 [865]	3-9/16 [90]	6-7/8 [175]	23-3/8 [593]	34-3/8 [873]	36-7/16 [926]	8 [203]	8-13/16 [223]	16-5/16 [414]	1/2 [13]	25-3/4 [653]	12-7/8 [326]	15-7/8 [403]	6-5/8 [168]	2-3/16 [55]	6 [152]	1 [25]	30-1/16 [764]
SL-7 SL-7X	41 [1041]	36-1/8 [917]	32-1/16 [815]	21-1/2 [547]	37-5/8 [956]	3-9/16 [90]	6-7/8 [175]	26-7/8 [683]	37-7/8 [962]	39-15/16 [1015]	8 [203]	8-13/16 [223]	16-5/16 [414]	1/2 [13]	30-3/4 [781]	15-3/8 [391]	15-7/8 [403]	6-5/8 [168]	2-3/16 [55]	6 [153]	1 [25]	33-9/16 [853]
SL-9 SL-9X	48 [1218]	43 [1092]	39-1/16 [993]	23-9/16 [599]	41-9/16 [1056]	3-9/16 [90]	6-7/8 [175]	30-7/8 [785]	41-7/8 [1063]	43-15/16 [1117]	8 [203]	8-13/16 [223]	16-5/16 [414]	1/2 [13]	37-3/4 [959]	18-7/8 [478]	15-11/16 [399]	6-5/8 [168]	2-3/16 [56]	6 [153w]	1 [25]	37-9/16 [955]

ORIGINAL WORKS



Left: The vintage farmhouse table was custom-crafted by the designer's husband.

Center: The kitchen features antiqued granite for a truly organic feel, complemented by a subway tile backsplash and modern stainless steel appliances. White painted cabinets and woodwork surround a large stained alder center island.

Right: A floor-to-ceiling chalkboard wall provided a fun feature for the client's growing family.

SEAMLESS COLORS AND TEXTURES



Left: The main foyer features a gorgeous stairway with classic board and batten application, echoing the housewide mix of painted and stained woods.

Center: The custom mixed panel tongue-and-groove wall featured in one of the children's bedrooms adds character and warmth.

Right: His and hers sinks, with subtle but impactful surrounding finishes.

VIEW IN MIND



Left: Large plank wood floors are used throughout the home.

Center and Right: Large windows across the entire back side of the home allow for stunning views of the wildlife preserve, large birch trees and the gorgeous backyard complete with a screen porch, large playground and basketball court.



The Sommersby Traditional Home was designed with the safety of the clients' young children in mind. When specifying fireplaces in homes with growing families, always be sure to specify a model that comes standard with a safety screen – like the Heat & Glo SlimLine series – and note this in section 10-30-00 in your CSI MasterFormat specification.

To comply with new ANSI standards, all gas-fueled fireplaces manufactured after January 1, 2015 must include a safety screen or protective barrier that must be installed. Unfortunately some contractors remove the screen during install. If you are providing

construction administration for a new project or work on remodels, you may come across a fireplace without a safety barrier.

Heat & Glo in partnership with Hearth & Home Technologies™ and Hearth, Patio and Barbecue Association (HPBA) now offer a free safety barrier program. Use this resource to provide a safety barrier in situations where one is missing from your project, and provide your clients with a safe environment for all ages. To get more information on this program, call 1-888-427-3973 (option #3) or email hhtinfo@hearthnhome.com.

- For products manufactured before January 1, 2003, we will provide an ANSI-compliant retrofit safety barrier screen free of charge; your client will pay shipping costs.
- For products manufactured after January 1, 2003, we will provide the model number of the replacement safety barrier screen that was originally designed and came standard with your product, which can be easily purchased from your installing distributor.



Attachable safety screens fasten to the front of the fireplace to create an air space between the hot glass and the screen. Today's fireplace technologies allow for safety screens that enhance the dramatic look of the flame.

DESIGNERS *on fire*

MICHELLE HOLLENHORST, DESIGNER SOMMERSBY TRADITIONAL HOME



Michelle Hollenhorst has been working in custom interior design and new construction since 2001. Working both through her company, Pink Petal Design, and as the exclusive in-house designer for Regency Builders, her work can be seen throughout central Minnesota in everything from starter homes to luxury residences, large multifamily complexes and planned senior living communities.

Her goal is to provide unique and beautifully designed homes within reach of people on a budget. Michelle's philosophy is that frugality and creativity, as well as getting her hands a bit dirty, can give her clients the design they want without a millionaire's budget.

LEARN MORE ABOUT MICHELLE, PINK PETAL DESIGN
AND REGENCY BUILDERS

- <http://pinkpetaldesign.com/>
- <http://regencymn.com/>

SLIMLINE SERIES FIREPLACES

Ideal for entry-level or move-up home plans, the SlimLine series offers any array of possibilities. Personalize the aesthetics of the fireplace. Style the front with decorative trims and finishes, choose interior elements, and enrich the appearance with advanced selections. Opt for modern drama, authentic masonry, or somewhere in-between. Complete your vision while staying within your client's budget parameters.



*SL-9X SlimLine gas fireplace
42" viewing area*



*SL-7X SlimLine gas fireplace
36" viewing area*



*SL-7X Fusion gas fireplace
36" viewing area*



*SL-5 SlimLine gas fireplace
32" viewing area*



*SL-5X Fusion gas fireplace
32" viewing area*



*SL-3X SlimLine gas fireplace
28" viewing area*