

Installation Manual

Installation & Appliance Set-Up

INSTALLER: Leave this manual with party responsible for use and operation.

OWNER: Retain this manual for future reference.

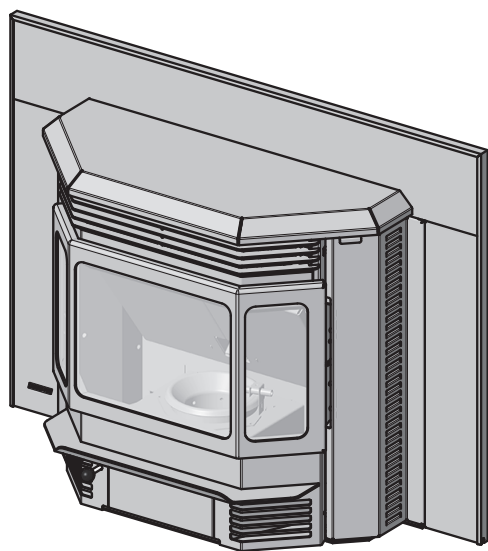
NOTICE: DO NOT DISCARD THIS MANUAL

This appliance has been retired.
Service parts pages within have been removed.
For replacement parts, please refer to the individual
service parts list located on the brand websites.

QUADRA-FIRE®

CB1200 PELLET INSERT APPLIANCE

MODEL: CB1200MI-MBK



! WARNING



If the information in these instructions is not followed exactly, a fire could result causing property damage, personal injury, or death.

- Do not store or use gasoline or other flammable vapors and liquids in the vicinity of this or any other appliance.
- Do not over fire - If appliance or chimney connector glows, you are over firing. Over firing will void your warranty.
- Comply with all minimum clearances to combustibles as specified. Failure to comply may cause house fire.

! WARNING



HOT SURFACES!

Glass and other surfaces are hot during operation AND cool down.

Hot glass will cause burns.

- Do not touch glass until it is cooled
- NEVER allow children to touch glass
- Keep children away
- CAREFULLY SUPERVISE children in same room as fireplace.
- Alert children and adults to hazards of high temperatures
- **High temperatures may ignite clothing or other flammable materials.**
- Keep clothing, furniture, draperies and other flammable materials away.

! CAUTION

Tested and approved for wood pellets and corn pellets.
Burning of any other type of fuel voids your warranty.

NOTE

To obtain a French translation of this manual, please contact your dealer or visit www.quadrafire.com

Pour obtenir une traduction française de ce manuel, s'il vous plaît contacter votre revendeur ou visitez www.quadrafire.com

Check building codes prior to installation.

- Installation MUST comply with local, regional, state and national codes and regulations.
- Consult local building, fire officials or authorities having jurisdiction about restrictions, installation inspection, and permits.

Installation and service of this appliance should be performed by qualified personnel. Hearth & Home Technologies recommends HHT Factory Trained or NFI certified professionals.



Safety Alert Key:



- **DANGER!** Indicates a hazardous situation which, if not avoided will result in death or serious injury.
- **WARNING!** Indicates a hazardous situation which, if not avoided could result in death or serious injury.
- **CAUTION!** Indicates a hazardous situation which, if not avoided, could result in minor or moderate injury.
- **NOTICE:** Indicates practices which may cause damage to the appliance or to property.

TABLE OF CONTENTS

1 Important Safety Information.....	3	4 Vent Information.....	14
A. Appliance Certification	3	A. Venting Termination Minimum Requirements	14
B. BTU & Efficiency Specifications	3	B. Avoiding Smoke and Odors	15
C. Glass Specifications	4	C. Negative Pressure.	16
D. Electrical Rating	4	D. Draft	16
E. Mobile Home Approved	4	E. Chimney and Exhaust Connection	16
F. Non-Combustible Materials.	4	F. Equivalent Feet of Pipe	17
G. Combustible Materials	4	G. Pipe Selection Chart	17
H. Sleeping Room	4	5 Venting Systems	18
I. California - Prop65	4	A. Full Reline With Outside Air - Horizontal	18
2 Getting Started	5	B. Full Reline With Outside Air - Vertical.	19
A. Design, Installation & Location Considerations	5	6 Appliance Set-Up	20
B. Thermostat Wall Control Location	6	A. Rear Shroud Installation	20
C. Tools And Supplies Needed	6	B. Outside Air Kit Instructions	22
D. Inspect Appliance and Components	6	C. Adjustable Hopper Options	23
E. Install Checklist	7	D. Grill Installation	23
3 Dimensions and Clearances	8	E. Adjustable Hearth Support	23
A. Appliance Dimensions	8	F. Panel and Trim Set	24
B. Clearance To Combustibles, UL and ULC	9	G. Thermostat Installation and Operation	26
C. Minimum Opening for Masonry	10	H. Optional Log Set Placement Instructions	28
. . . . & Zero Clearance Fireplaces	10	7 Mobile Home Installation.....	29
D. Hearth Extension.	10	8 Reference Materials	30
E. Floor Protection	11	A. Service & Maintenance List.	30
F. Installation into a Factory-Built Fireplace	12	B. Accessory List	32
G. Installation into a Masonry Fireplace	13		
H. Prefabricated Metal Chimney	13		

Quadra-Fire is a registered trademark of Hearth & Home Technologies.

1 Important Safety Information

A. Appliance Certification

Model	CB1200 Pellet Insert
Laboratory	OMNI Test Laboratories, Inc.
Report No.	061-S-13-2
Type	Solid Fuel Room Appliance/Pellet Fuel Burning Type Insert
Standard	ASTM E1509-95, UL127, ULC S628-93, ULC S610-M87, and ULC/ORD-C1482-M1990 Room Appliance Pellet Fuel Burning Type, (UM) 84-HUD. For use only with palletized wood or shelled field corn fuel. Mobile Home Approved
FCC	Complies with Part 15 of FCC Rules. Operation is subject to the following two conditions: (1) this device may not cause harmful interference, and (2) this device must accept any interference received, including interference that may cause undesired operation.

B. BTU & Efficiency Specifications

EPA Certification #:	972-14
EPA Certified Emissions:	1.3 grams per hour
*LHV Tested Efficiency:	N/A
**HHV Tested Efficiency:	N/A
***EPA BTU Output:	11,500 to 34,600 / hr.
****BTU Input:	15,500 to 46,400 / hr.
Vent Size:	3, 4 or 6 inches, "L" or "PL"
Hopper Capacity:	75 lbs.
Fuel	Wood Pellets
* Weighted average LHV efficiency using data collected during EPA emissions test.	
**Weighted average HHV efficiency using data collected during EPA emissions test.	
***A range of BTU outputs based on EPA Default Efficiency and the burn rates from the low and high EPA tests.	
****Based on the maximum feed rate per hour multiplied by approximately 8600 BTU's which is the average BTU's from a pound of pellets.	

NOTE: This installation must conform with local codes. In the absence of local codes you must comply with the **ASTM E1509-95, UL127, ULC S628-93, ULC S610-M87, ULC/ORD-C-1482-M1990, (UM) 84-HUD**

The Quadra-Fire CB1200 Pellet Insert meets the U.S. Environmental Protection Agency's emission limits for pellet inserts sold after May 15, 2015.

This pellet insert needs periodic inspection and repair for proper operation. It is against federal regulations to operate this pellet insert in a manner inconsistent with operating instructions in this manual.

C. Glass Specifications

This appliance is equipped with 5mm ceramic glass. Replace glass only with 5mm ceramic glass. Please contact your dealer for replacement glass.

D. Electrical Rating

115 VAC, 60 Hz, Start 4.1 Amps, Run 1.1 Amps

E. Mobile Home Approved

- This appliance is approved for mobile home installations when not installed in a sleeping room and when an outside combustion air inlet is provided.
- The structural integrity of the mobile home floor, ceiling, and walls must be maintained.
- The appliance must be properly grounded to the frame of the mobile home and use only Listed pellet vent Class “L” or “PL” connector pipe.
- Outside Air Kit, part OAK-ACC must be installed in a mobile home installation.

F. Non-Combustible Materials

Material which will not ignite and burn, composed of any combination of the following:

- Steel - Plaster - Brick - Iron
- Concrete - Tile - Glass - Slate

Materials reported as passing **ASTM E 136, Standard Test Method for Behavior of Metals, in a Vertical Tube Furnace of 750° C.**

G. Combustible Materials

Material made of/or surfaced with any of the following materials:


- Wood - Compressed Paper
- Plant Fibers - Plastic
- Plywood/OSB - Sheet Rock (drywall)

Any material that can ignite and burn: flame proofed or not, plastered or non-plastered.

H. Sleeping Room


When installed in a sleeping room it is recommended that 3ft of vertical be installed prior to horizontally exiting the room and a smoke/CO alarm be installed in the bedroom. The size of the room must be at least 50ft³ per 1,000 Btu/hr stove input, if the stove exceeds the room size, out air must be installed.


I. California - Prop65



WARNING

This product and the fuels used to operate this product (wood), and the products of combustion of such fuels, can expose you to chemicals including carbon black, which is known to the State of California to cause cancer, and carbon monoxide, which is known to the State of California to cause birth defects or other reproductive harm. For more information go to: WWW.P65Warnings.ca.gov

 **WARNING**



Fire Risk.
Hearth & Home Technologies disclaims any responsibility for, and the warranty will be voided by, the following actions:

- Installation and use of any damaged appliance.
- Modification of the appliance.
- Installation other than as instructed by Hearth & Home Technologies.
- Installation and/or use of any component part not approved by Hearth & Home Technologies.
- Operating appliance without fully assembling all components.
- Operating appliance without legs attached (if supplied with appliance).
- Do NOT Over fire - If appliance or chimney connector glows, you are over firing.

Any such action that may cause a fire hazard.

Improper installation, adjustment, alteration, service or maintenance can cause injury or property damage. For assistance or additional information, consult a qualified installer, service agency or your dealer.

NOTE: Hearth & Home Technologies, manufacturer of this appliance, reserves the right to alter its products, their specifications and/or price without notice.

Install Guide

2 Getting Started

A. Design, Installation & Location Considerations

1. Appliance Location

NOTICE: Check building codes prior to installation.

- Installation MUST comply with local, regional, state and national codes and regulations.
- Consult insurance carrier, local building inspector, fire officials or authorities having jurisdiction over restrictions, installation inspection and permits.

It is a good idea to plan your installation on paper, using exact measurements for clearances and floor protection, before actually beginning the installation. Location of the appliance and chimney will affect performance.

Consideration must be given to:

- Safety, convenience, traffic flow
- Placement of the chimney and chimney connector and to minimize the use of chimney offsets.
- Place the appliance where there will be a clear passage for a Listed chimney through the ceiling and roof (vertical) or through exterior wall (horizontal).
- Installing the required outside air kit will affect the location of the vent termination.

When locating vent and venting termination, the ideal location is to vent above roof line when possible. This minimizes the affects of wind loading.

Since pellet exhaust can contain ash, soot or sparks, you must consider the location of:

- Windows
- Air Intakes
- Air Conditioner
- Overhang, soffits, porch roofs, adjacent walls
- Landscaping, vegetation
- Horizontal or vertical vent termination

2. Floor Support

The supporting floor under the appliance must be able to handle the weight of the appliance, fuel load and the weight of the chimney.

Ensure that your floor will support these weights prior to installation. Add sufficient additional support to meet this weight requirement prior to installation. The weight of the appliance is 214 lbs.



CAUTION

If burning shelled field corn, you must use approved venting specifically designed for corn to prevent corrosion or degradation. Follow the instructions from the venting manufacturer.

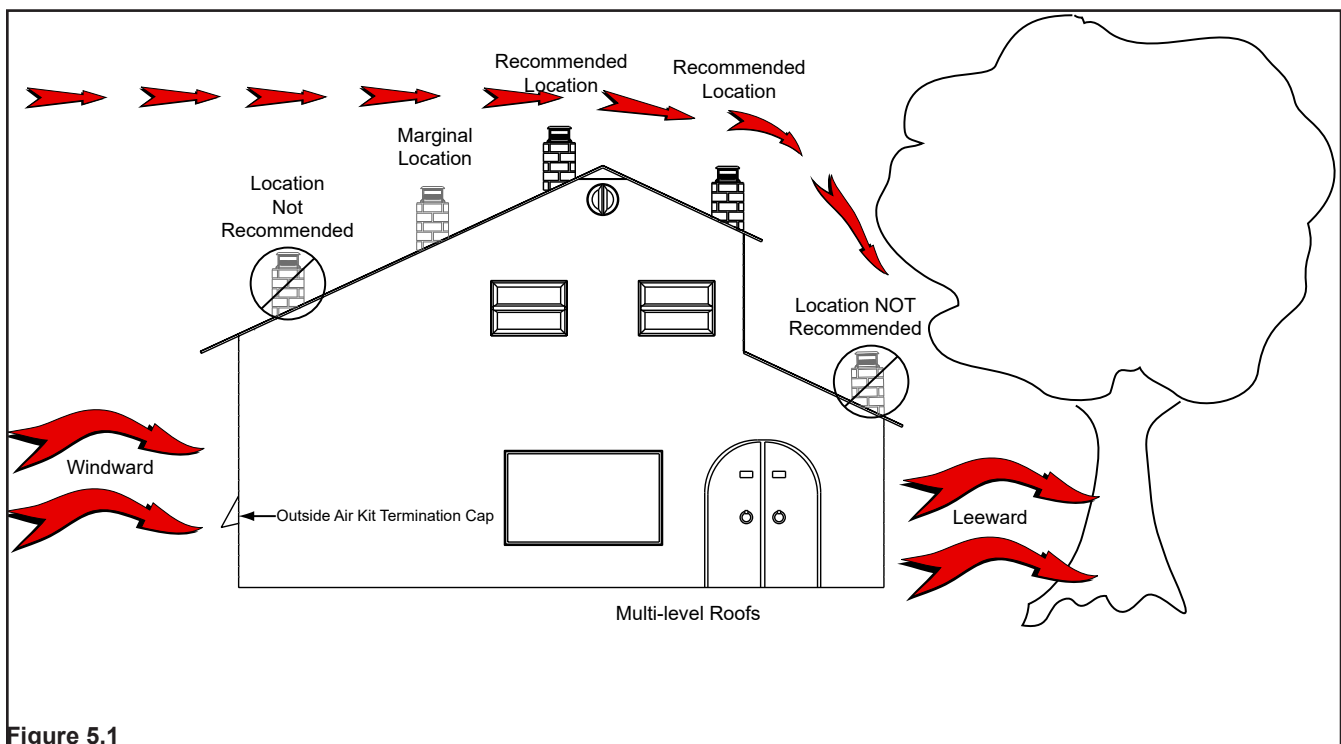


Figure 5.1

B. Thermostat Wall Control Location

The thermostat wall control's location will have some affect on the appliance's operation.

- Maximum wire length from appliance is 100 feet (30.48m) continuous non-spliced wire. Recommended 20 gauge wire, solid copper .
- When located close to the appliance, it may require a slightly higher temperature setting to keep the rest of the house comfortable.
- When located in an adjacent room or on a different floor level, you will notice higher temperatures near the appliance.

C. Tools And Supplies Needed

Tools and building supplies normally required for installation, unless installing into an existing masonry fireplace:

Reciprocating Saw	Channel Lock
Hammer	Phillips Screwdriver
Tape Measure	Plumb Line
1/4" Self-Tapping Screws	Framing Material
Hi-temp Caulking Material	Gloves
Safety Glasses	Framing Square
Electric Drill & Bits (1/4")	Level
<u>May also need:</u>	
Vent Support Straps	Venting Paint

D. Inspect Appliance and Components

- Open the appliance and remove all the parts and articles packed inside the Component Pack. Inspect all the parts and glass for shipping damage.
- Report to your dealer any parts damaged in shipment.
- All labels have been removed from the glass door.
- Plated surfaces have been wiped clean with a soft cloth, if applicable.
- **Read all the instructions before starting the installation. Follow these instructions carefully during the installation to ensure maximum safety and benefit.**
- **Follow pipe manufacturer instructions for installation and air clearance requirements.**

WARNING



Fire Risk.

Damaged parts could impair safe operation. Do NOT install damaged, incomplete or substitute components.

WARNING



Hearth & Home Technologies disclaims any responsibility for, and the warranty will be voided by, the following actions:

- Installation and use of any damaged appliance.
- Modification of the appliance.
- Installation other than as instructed by Hearth & Home Technologies.
- Installation and/or use of any component part not approved by Hearth & Home Technologies.
- Operating appliance without fully assembling all components.
- Operating appliance without legs attached (if supplied with appliance).
- Do NOT Over fire

Or any such action that may cause a fire hazard.

E. Install Checklist

**ATTENTION INSTALLER:
Follow this Standard Work Checklist**

This standard work checklist is to be used by the installer in conjunction with, not instead of, the instructions contained in this installation manual.

Customer: _____
 Date Installed: _____
 Lot/Address: _____
 Location of Appliance: _____
 Installer: _____
 Dealer/Distributor Phone Number: _____
 Serial Number: _____
 Model Name: _____

 **WARNING! Risk of Fire or Explosion! Failure to install appliance to these instructions can lead to a fire or explosion.**

Appliance Install

	YES	IF NO, WHY?
Verified clearance to combustibles.	<input type="checkbox"/>	_____
Appliance is leveled and connector is secured to appliance.	<input type="checkbox"/>	_____
Hearth extension size/height decided.	<input type="checkbox"/>	_____
Outside air kit installed.	<input type="checkbox"/>	_____
Floor protection requirements have been met.	<input type="checkbox"/>	_____
If appliance is connected to a masonry chimney, it should be cleaned and inspected by a professional. If installed to a factory built metal chimney, the chimney must be installed according to the manufacturer's instructions and clearances.	<input type="checkbox"/>	_____

Venting/Chimney

Chimney configuration complies with diagrams.	<input type="checkbox"/>	_____
Chimney installed, locked and secured in place with proper clearance.	<input type="checkbox"/>	_____
Chimney meets recommended height requirements (5 feet minimum vertical).	<input type="checkbox"/>	_____
Roof flashing installed and sealed.	<input type="checkbox"/>	_____
Terminations installed and sealed.	<input type="checkbox"/>	_____

Electrical

120 VAC unswitched power provided to the appliance.	<input type="checkbox"/>	_____
Check outlet with multi-meter for proper polarity and voltage (115-120 VAC). Record voltage reading: _____	<input type="checkbox"/>	_____

Clearances

Verified all clearances meet installation manual requirements.	<input type="checkbox"/>	_____
Mantels and wall projections comply with installation manual requirements.	<input type="checkbox"/>	_____
Floor protection and heart extensions installed per manual requirements.	<input type="checkbox"/>	_____

Appliance Setup

All protective materials removed.	<input type="checkbox"/>	_____
All labels have been removed from the door.	<input type="checkbox"/>	_____
All packaging materials are removed from inside/under appliance.	<input type="checkbox"/>	_____
Manual bag and all of its contents are removed from inside/under the appliance and given to the party responsible for use and operation.	<input type="checkbox"/>	_____
Started appliance and verified that all motors and blowers operate as they should.	<input type="checkbox"/>	_____
Checked draft using a Manometer. Record readings: _____	<input type="checkbox"/>	_____
Checked vacuum using a Manometer. Record readings: _____	<input type="checkbox"/>	_____

Hearth & Home Technologies recommends the following:

Photographing the installation and copying this checklist for your file.
 That this checklist remain visible at all times on the appliance until the installation is complete.

Comments: Further description of the issues, who is responsible (Installer/Builder/Other Trades, etc.) and corrective action needed:
 Comments communicated to party responsible _____ by _____ on _____
 (Builder/Gen. Contractor) (Installer) (Date)

3 Dimensions and Clearances

A. Appliance Dimensions

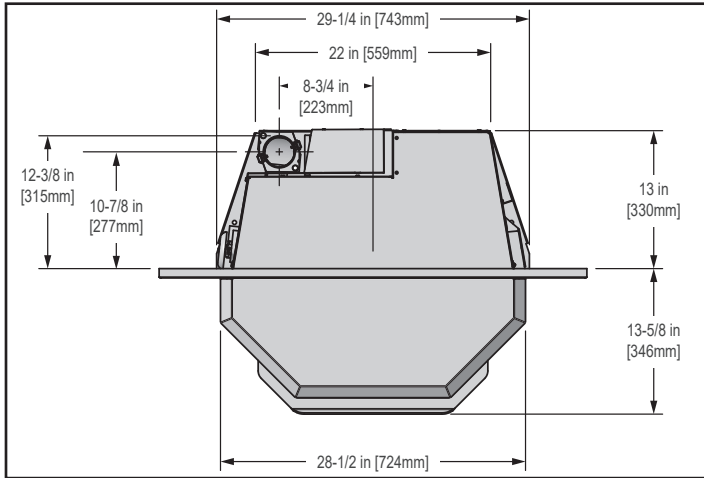


Figure 8.1 - Top View with small panel set (SP-CB12I3040-GD, NB or NL)

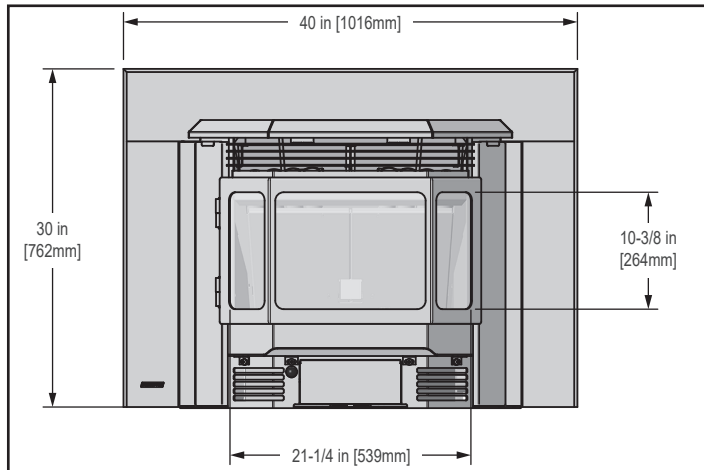


Figure 8.2 - Front View with small panel set (SP-CB12I3040-GD, NB or NL)

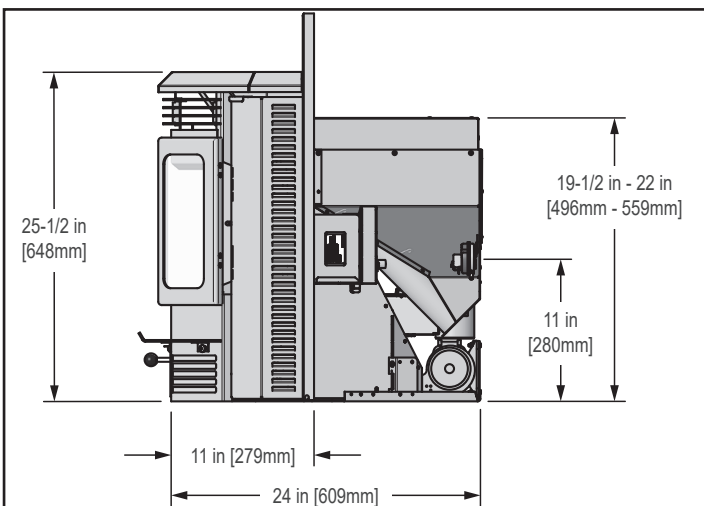


Figure 8.2 - Side View with small panel set (SP-CB12I3040-GD, NB or NL)

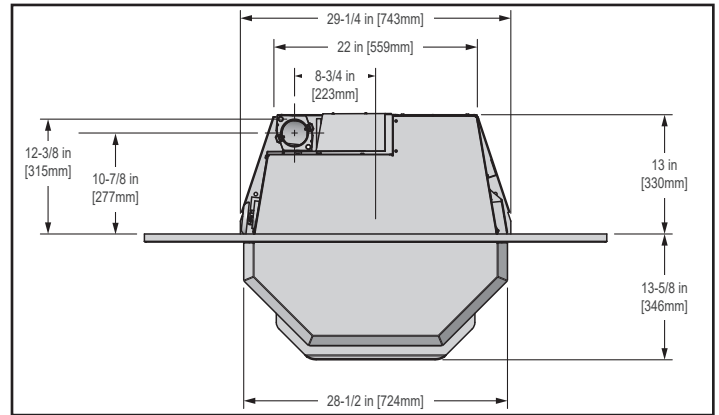


Figure 8.4 - Top View with large panel set (SP-CB12I3350-GD, NB or NL)

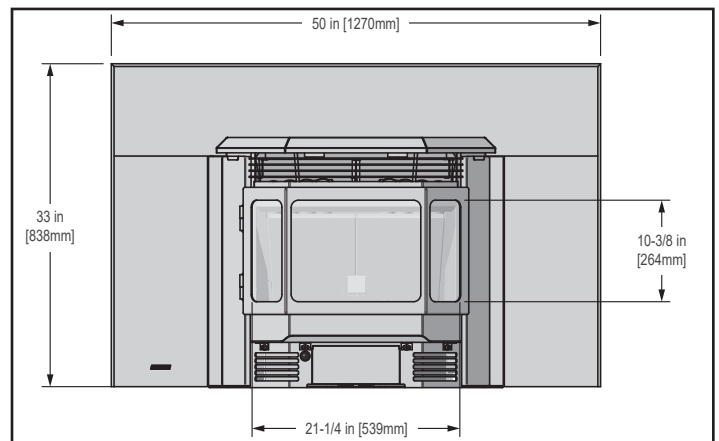


Figure 8.5 - Front View with large panel set (SP-CB12I3350-GD, NB or NL)

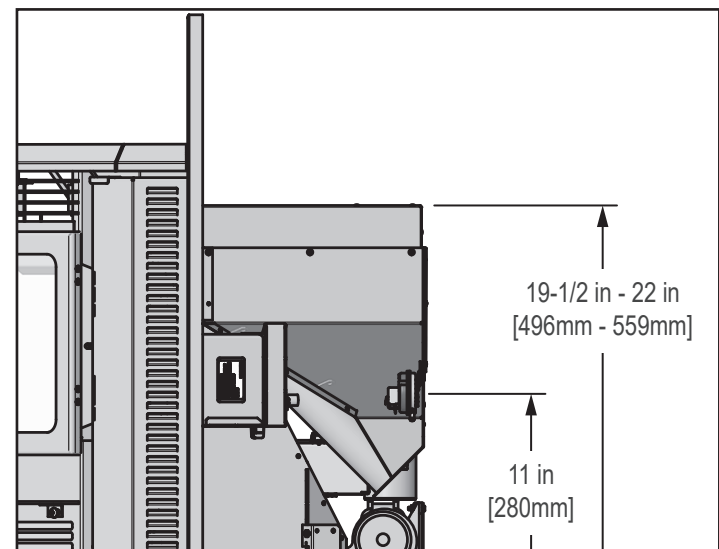
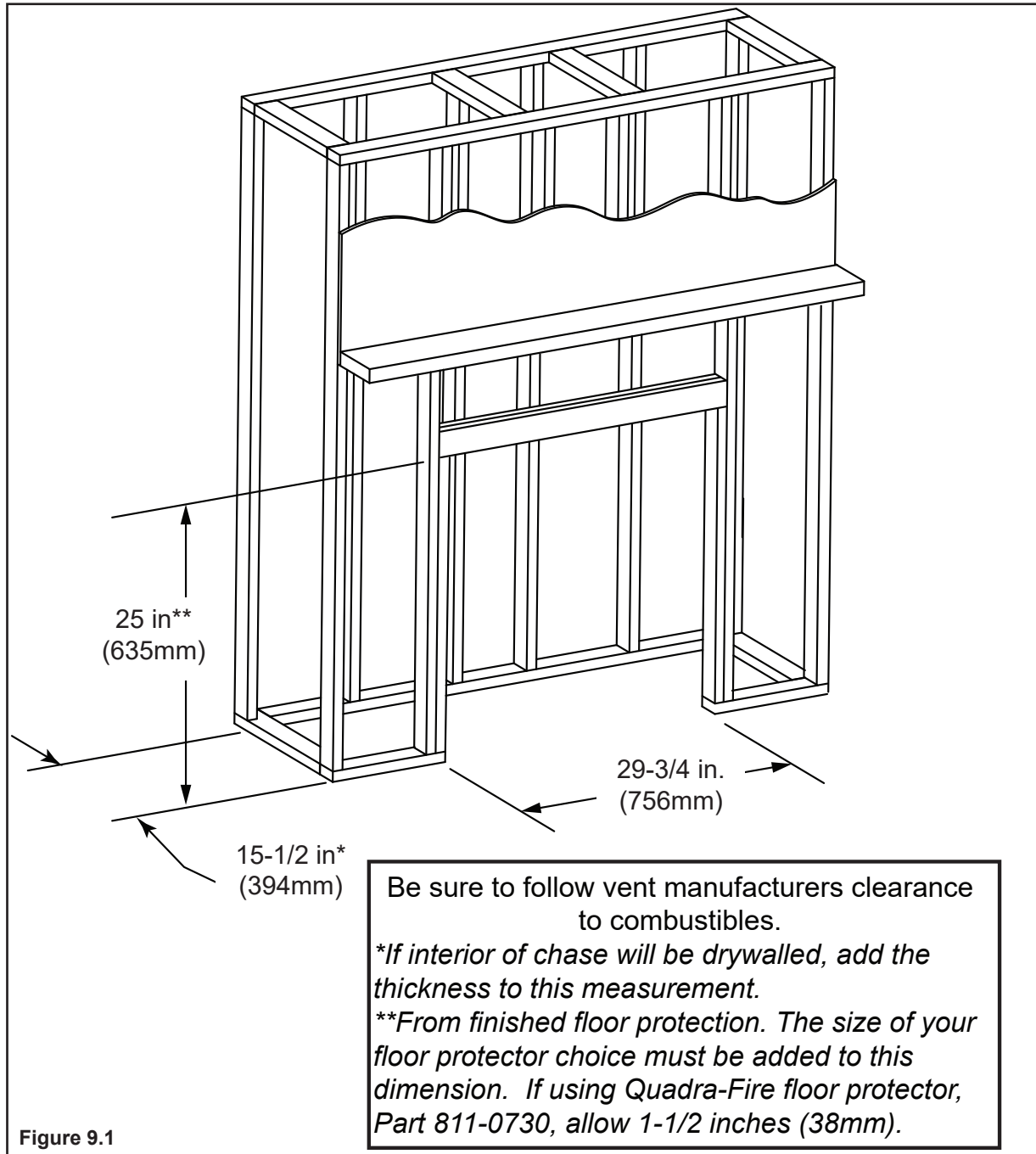


Figure 8.5 - Side View with large panel set (SP-CB12I3350-GD, NB or NL)

B. Clearance To Combustibles, UL and ULC



NOTE: A Quadra-Fire floor protector (Part 811-0730) is available through your dealer to be used as a floor protector for the section under the insert body only. Floor protection to front and sides of insert appliance must be supplied in addition to this part.

WARNING

Fire Risk.
Comply with all minimum clearances to combustibles as specified.
Failure to comply may cause house fire.

NOTE:

- Illustrations reflect typical installations and are FOR DESIGN PURPOSES ONLY.
- Illustrations/diagrams are not drawn to scale.
- Actual installation may vary due to individual design preference.

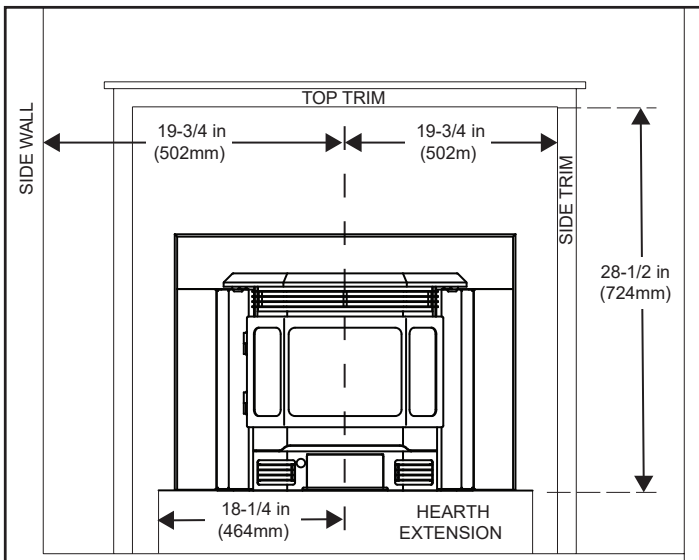


Figure 10.1
Note: If trim measurement is over 3/4 in (19mm) in depth use mantle or side clearances to combustibles.

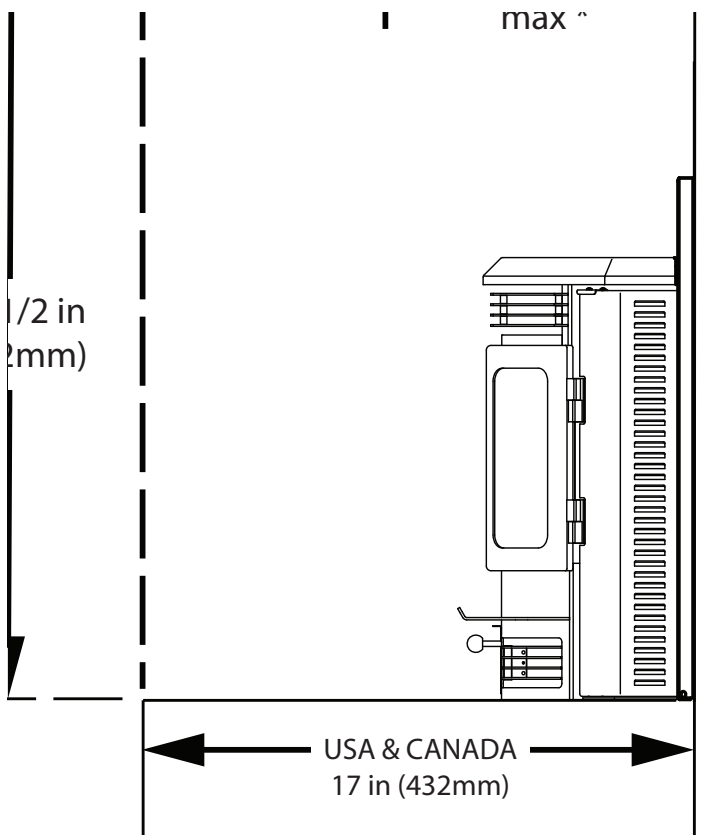


Figure 10.2

C. Minimum Opening for Masonry & Zero Clearance Fireplaces

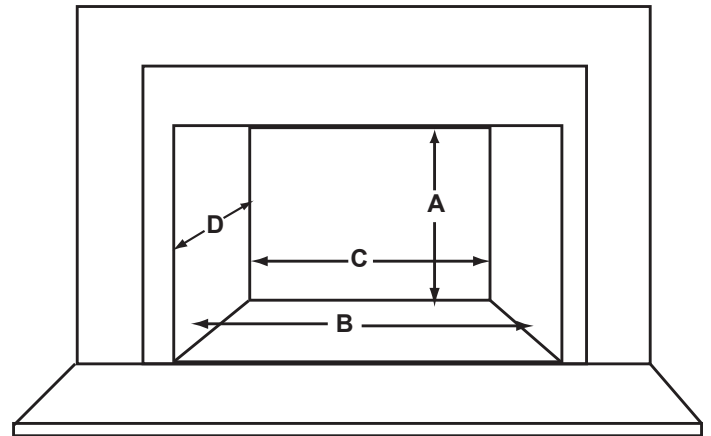


Figure 10.3

Location		Inches	Millimeters
A	Height (<i>Maximum Hopper Adjustment</i>)*	22-1/4	565
	Height (<i>Minimum Hopper Adjustment</i>)*	19-3/4	502
B	Front Width	29-3/4	756
C	Rear Width	22-1/2	572
D	Depth	13-1/4	337

NOTE: Minimum opening dimensions include a 1/4" (6mm) clearance around appliance.

***Height:** The Classic Bay 1200 Insert has the option of an adjustable hopper from 22 inches for the maximum to 19-1/2 inches for the minimum. Add a 1/4 inch to the adjustment for clearances for any measurement in between the maximum and the minimum height. The Maximum and minimum are already calculated for you in the above table for convenience.

D. Hearth Extension

Use a Type II non-combustible floor protector, extending beneath the appliance and to the front, and to the sides as indicated in sub-section **E. Floor Protection on page 11**. The floor must be non-combustible or otherwise adequately protected from radiant heat given off by the appliance and from sparks and falling embers. A layer of thin brick or ceramic tile over a combustible floor is not sufficient.

WARNING

Fire Risk.
 Hearth pads must be installed exactly as specified. High temperatures or hot embers may ignite concealed combustibles.

E. Floor Protection

1. Zero Clearance Installations*

It is necessary to install a floor protection of non-combustible material with a R value of 3.0 (1 inch [25mm] minimum thickness with a “k” value of 0.58) or a 1 inch (25mm) air space between insert base and hearth.

2. Non-Zero Clearance Installations*

A non-combustible floor protector is required with a minimum R value of 3.0 (1 inch [25mm] minimum thickness with a “k” value of 0.58) extending 6 inches (153mm) in front of the insert and 8 inches (203mm) to each side of the door opening.

* See Thermal Resistance: R value.

NOTE: A Quadra-Fire floor protector (Part 801-0730) is available through your dealer to be used as a floor protector for the section under the insert body only. Floor protection to front and sides of insert appliance must be supplied in addition to this part.

Thermal Resistance: R value



The R value is a measure of a material’s resistance to heat transfer.

R value is convenient when more than one material is used since you can add the R values together, whereas you can not do this for k value.

The HIGHER the R factor means less heat is being conducted through the non-combustible material to the combustible material beneath it.

The R value of a material must be equal or larger then the required R value to be acceptable.

NOTE: Hearth Rug may be used in Suggested Area

 WARNING	
	Fire Risk.
	<ul style="list-style-type: none"> • Comply with all minimum clearances to combustibles as specified. • Failure to comply may cause house fire.
NOTE: Clearances may only be reduced by means approved by the regulatory authority having jurisdiction	

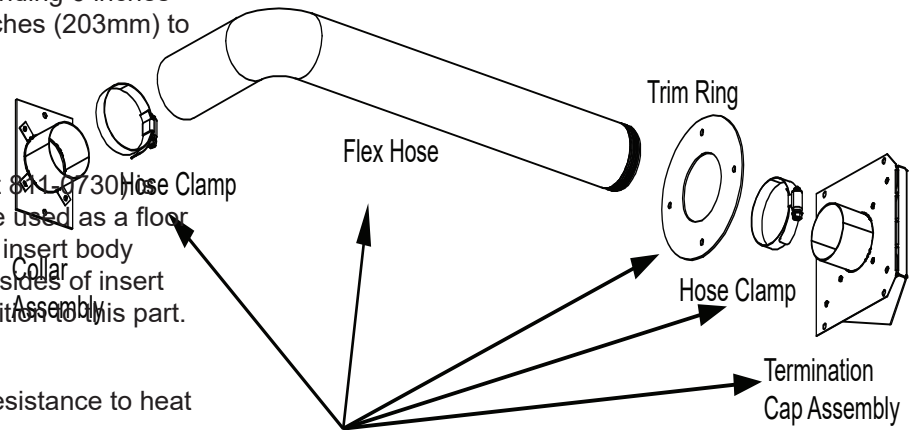


Figure 11.1

F. Installation into a Factory-Built Fireplace

The following modifications are permissible:

- Removal of damper or locked in open position
- Removal of smoke shelf or baffle
- Removal of ember catches
- Removal of fire grate
- Removal of view screen/curtain
- Removal of doors
- Removal of factory-built fireplace floor
- External trim pieces which do not affect the operation of the fireplace may be removed providing they can be stored on or within the fireplace for reassembly if the insert is removed.
- The permanent metal warning label provided must be attached to the back of the fireplace, with screws or nails, stating that the fireplace may have been altered to accommodate the insert, and must be returned to original condition for use as a conventional fireplace.

Figure 12.1

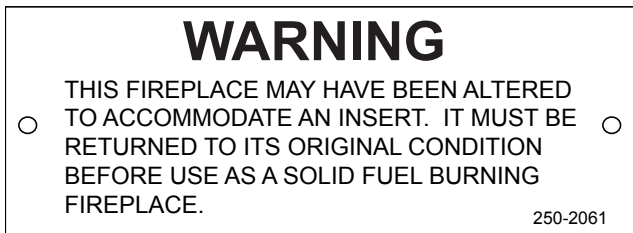


Figure 12.1

- If the hearth extension is lower than the fireplace opening, the portion of the insert extending onto the hearth must be supported.
- Manufacturer designed adjustable support kit can be ordered from your dealer.

NOTE: Refer to chimney liner manufacturer for recommendations on supporting the liner. Installation into fireplaces without a permit will void the listing.

- The firebrick (refractory), glass doors, screen rails, screen mesh and log grates can be removed from a factory-built firebox in order to gain minimum insert opening requirements.
- Any smoke shelves, shields and baffles may be removed from a factory-built firebox if attached with mechanical fasteners.
- The metal floor of the factory-built firebox may be removed to facilitate the installation of the insert only when a 1 inch (25mm) airspace is provided between the insert and the floor of outer wrap.

The following is only one example as there are many different models of factory-built fireplaces.

NOTE: This example is for reference only. Any modifications must not compromise the structural integrity or reduce the protection for combustible materials.

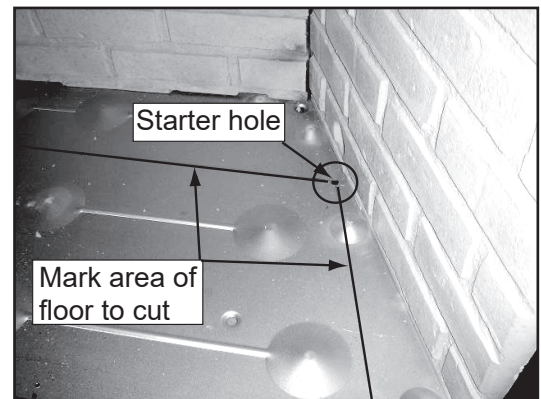


Figure 12.2

Measure and mark the metal floor for cutting. With a drill, make a starter hole in each corner.

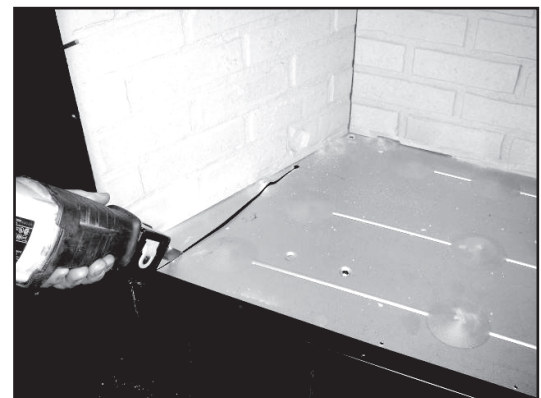


Figure 12.3

Using a saws-all, cut out the floor.

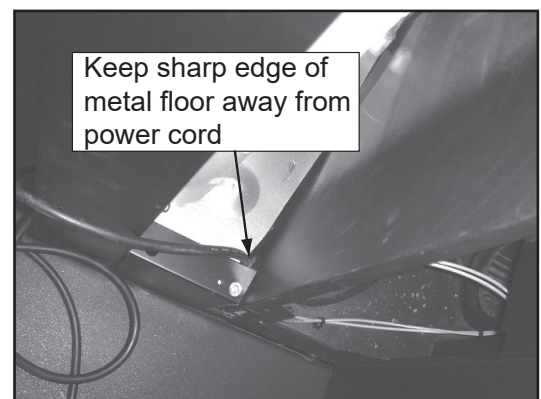


Figure 12.4

Place the insert into the factory-built firebox. Ensure that the power cord can not be damaged by the sharp metal edge. You may need to cut out a notch to accommodate the cord.

G. Installation into a Masonry Fireplace

All modifications that can be made to a Factory Built Fireplace can be made to a Masonry Fireplace.

In addition **DO NOT** remove any brick or mortar from the existing fireplace.

NOTE

It is necessary to permanently seal any opening between the masonry of the fireplace and the facing masonry.



WARNING

- Removing floor of fireplace must not weaken structure of firebox or reduce protection for combustible materials.
- Final approval of this installation type is contingent upon the appropriate local authority having jurisdiction.

H. Prefabricated Metal Chimney

The chimney can be new or existing, masonry or prefabricated and must meet the following minimum requirements:

- Must be minimum 6 inch (152mm) inside diameter of high temperature chimney listed to UL 103 HT (2100°F) or ULC-S628.
- Must use components required by the manufacturer for installation.
- Must maintain clearances required by the manufacturer for installation.
- Refer to manufacturers instructions for installation
- This insert is listed to ASTM E 1509-12 Standard and is approved for installation into listed factory-built zero clearance fireplaces listed to UL 127 conforming to the following specifications and instructions:
- The original factory-built clearance fireplace chimney cap must be re-installed after installing the approved chimney liner meeting type UL 103 HT requirements (2100°F) per UL 1777.
- If the chimney is not listed as meeting HT requirements, or if the factory built fireplace was tested prior to 1998, a full height listed chimney liner must be installed from the appliance flue collar to the chimney top.
- The liner must be securely attached to the insert flue collar and the chimney top.
- The air flow of the factory-built zero-clearance fireplace system must not be altered. The flue liner top support attachment must not reduce the air flow for the existing air-cooled chimney system.
- No dilution air is allowed to enter the chimney.

1. Secure the fireplace damper in the open position. If this cannot be accomplished, it will be necessary to remove the damper
2. Seal damper area of chimney around chimney connector with a high temperature sealant or seal insert against the face of the fireplace.
3. Both methods must be removable and replaceable for cleaning and re-installation.



WARNING



Risk of Fire!

Follow venting manufacturer's clearances and instructions when installing venting system.

NOTICE: In Canada when using a factory-built chimney it must be safety listed, **Type UL103 HT (2100°F) [1149°C] CLASS "A"** or conforming to **CAN/ULC-S629M, STANDARD FOR 650°C FACTORY-BUILT CHIMNEYS.**

4 Vent Information

A. Venting Termination Minimum Requirements

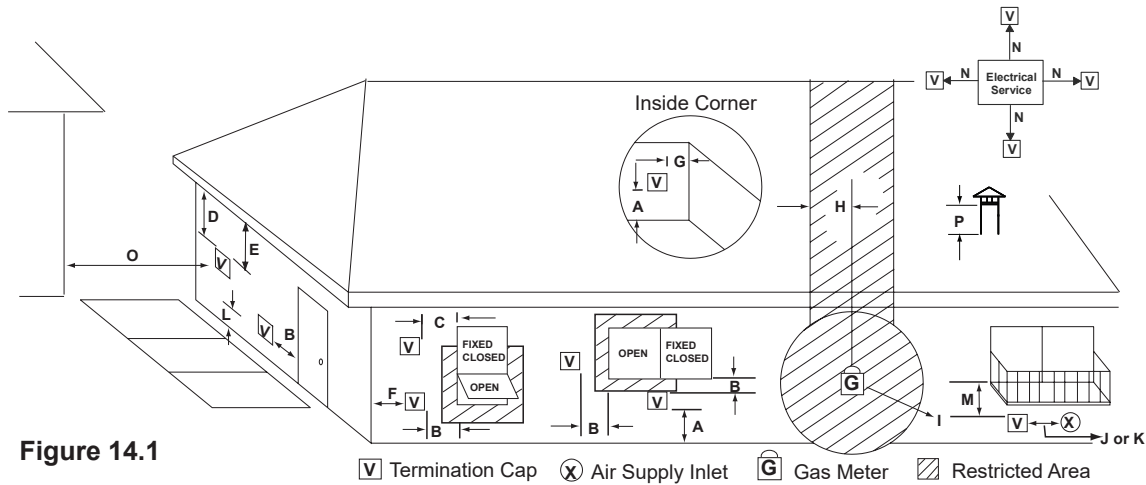


Figure 14.1

V Termination Cap
 X Air Supply Inlet
 G Gas Meter
 Restricted Area

All minimum clearances are listed with an Outside Air Kit (OAK) installed, unless otherwise noted in table below.

A	12 in.	Above Finish Grade (the grade surface must be a non-combustible material)
B	12 in. 48 in. no OAK	Open door or window: below or to the side
B	12 in.	Open door or window: above
C	6 in.	Permanently closed window: above, below or to the side
D	18 in. 36 in. no OAK	Vertical clearance to a ventilated soffit located above the terminal within a horizontal distance of 2 ft from the center-line of the terminal
E	12 in.	Clearance to unventilated soffit
F	12 in.	Clearance to outside corner
G	12 in.	Clearance to inside corner
H	36 in.	Above gas meter/regulator measured from horizontal center-line of regulator
I	36 in. USA 72 in. Canada	Clearance to service regulator vent outlet
J	12 in. 48 in. no OAK	Clearance to non-mechanical air supply inlet to the building or the combustions air inlet to any other appliance
K	10 ft horizontal 3 ft vertical	Clearance to mechanical air supply
L	7 ft.	Above paved sidewalk, paved driveway located on public property
M	12 in.	Under an open veranda, porch, deck or balcony
N	See Note below*	Electric service: above, below or to the side (location must not obstruct or interfere with access)
O	24 in.	Adjacent building, fences and protruding parts of the structure
P	12 in.	Clearance above roof line for vertical terminations

24 in.	Above grass, top of plants, wood or any other combustible
12 in. 36 in. no OAK	Clearance from any forced air intake of other appliance
12 in.	Clearance horizontally from combustible wall
15 in.	Vented directly through a wall, minimum length of horizontal pipe
6 in. horizontal 12 in. vertical	Minimum horizontal or vertical terminations must protrude from wall

NOTICE:

Do NOT Terminate Vent:

- In any location that will allow flue gases or soot from entering or staining the building
- In any location which could create a nuisance or hazard
- In any enclosed or semi-enclosed area such as a carport, garage, attic, crawl space, under a sun deck or porch, narrow walkway
- Closely fenced area, or any location that can build up a concentration of fumes such as a stairwell, covered breezeway, etc.

NOTICE:

Termination must exhaust above air inlet elevation.

- It is recommended that at least 60 inches (1.52m) of vertical pipe be installed when appliance is vented directly through a wall. This will create a natural draft, which will help prevent the possibility of smoke or odor venting into the home during a power outage.
- It will also keep exhaust from causing a nuisance or hazard by exposing people or shrubs to high temperatures.
- The safest and preferred venting method is to extend the vent vertically through the roof or above the roof.

*NOTE: Consult local building, fire officials or authorities having jurisdiction. Local codes or regulations may require different clearances.

B. Avoiding Smoke and Odors

Negative Pressure, Shut-Down and Electrical Power Failure

To reduce the probability of back-drafting or burn-back in the pellet appliance during power failure or shut down conditions, it must be able to draft naturally without exhaust blower operation.

Negative pressure in the house will resist this natural draft if not accounted for in the pellet appliance installation.

Heat rises in the house and leaks out at upper levels. This air must be replaced with cold air from outdoors which flows into lower levels of the house.

Vents and chimneys into basements and lower levels of the house can become the conduit for air supply and reverse under these conditions.

Outside Air

An outside air kit is recommended in all installations. The Outside Air Kit must be ordered separately.

Per national building codes, consideration must be given to combustion air supply to all combustion appliances. Failure to supply adequate combustion air for all appliance demands may lead to back-drafting of those and other appliances.

When the appliance is roof vented (strongly recommended):

The air intake is best located on the exterior wall oriented towards the prevailing wind direction during the heating season.

When the appliance is side-wall vented:

The air intake is best located on the same exterior wall as the exhaust vent outlet and located lower on the wall than the exhaust vent outlet.

The outside air supply kit can supply most of the demands of the pellet appliance, but consideration must be given to the total house demand.

House demand may consume the air needed for the appliance. It may be necessary to add additional ventilation to the space in which the pellet appliance is located.

Consult with your local HVAC professional to determine the ventilation demands for your house.

Vent Configurations

When installing a pellet appliance with a horizontal vent configuration the frequency of power outages should be considered:

- Power outages during operation will cause the appliance to immediately turn off and may create conditions where smoke will back draft into the house. In order to reduce the likelihood of smoke back drafting into the house during a power outage, Hearth and Home Technologies strongly suggests:
 - Installing the pellet venting with a minimum vertical run of 5 feet (1.52m).
 - Installing the outside air kit at least 4 feet (1.22m) below the vent termination.

To prevent soot damage to exterior walls of the house and to prevent re-entry of soot or ash into the house:

- Maintain specified clearances to windows, doors and air inlets, including air conditioners.
- Vents should not be placed below ventilated soffits. Run the vent above the roof.
- Avoid venting into alcove locations.
- Vents should not terminate under overhangs, decks or onto covered porches.
- Maintain minimum clearance of 12 inches (305mm) from the vent termination to the exterior wall. If you see deposits developing on the wall, you may need to extend this distance to accommodate your installation conditions.

CAUTION

- DO NOT CONNECT THIS Appliance TO A CHIMNEY FLUE SERVICING ANOTHER APPLIANCE.
- DO NOT CONNECT TO ANY AIR DISTRIBUTION DUCT OR SYSTEM.

C. Negative Pressure

Negative pressure results from the imbalance of air available for the appliance to operate properly. It can be strongest in lower levels of the house.

Causes include:

- Exhaust fans (kitchen, bath, etc.)
- Range hoods
- Combustion air requirements for furnaces, water appliances and other combustion appliances
- Clothes dryers
- Location of return-air vents to furnace or air conditioning
- Imbalances of the HVAC air handling system
- Upper level air leaks such as:
 - Recessed lighting
 - Attic hatch
 - Duct leaks

To minimize the effects of negative air pressure:

- Install the outside air kit with the intake facing prevailing winds during the heating season
- Ensure adequate outdoor air for all combustion appliances and exhaust equipment
- Ensure furnace and air conditioning return vents are not located in the immediate vicinity of the appliance
- Avoid installing the appliance near doors, walkways or small isolated spaces
- Recessed lighting should be a “sealed can” design
- Attic hatches weather stripped or sealed
- Attic mounted duct work and air handler joints and seams taped or sealed



WARNING

Risk of Asphyxiation!

Negative pressure can cause spillage of combustion fumes and soot.

D. Draft

Draft is the pressure difference needed to vent an appliance successfully. When an appliance is drafting successfully, all combustion byproducts are exiting the home through the chimney.

Install through the warm airspace enclosed by the building envelope. This helps to produce more draft, especially during lighting and die-down of the fire.

Considerations for successful draft include:

- Preventing negative pressure
- Location of appliance and chimney

Notice: Hearth & Home Technologies assumes no responsibility for the improper performance of the chimney system caused by:

- Inadequate draft due to environmental conditions
- Down drafts
- Tight sealing construction of the structure
- Mechanical exhausting devices

E. Chimney and Exhaust Connection


1. **Chimney & Connector:** Use 3 or 4 inch (76-102mm) diameter type “L” or “PL” venting system. It can be vented vertically or horizontally.
2. **Mobile Home:** Approved for all Listed pellet vent. If using the 3 inch (76mm) vertical Top Vent Adapter Kit or the 3 to 6 inch (76-152mm) Top Vent Offset Adapter, use Listed double wall flue connector. A Quadra-Fire Outside Air Kit must be used with manufactured home installations.
3. **Residential:** The 3 inch (76mm) vertical Top Vent Adapter Kit and the 3 to 6 inch (76-152mm) Top Vent Offset Adapter are tested to use 24 gauge single wall flue connector or Listed double wall flue connector to Class A Listed metal chimneys, or masonry chimneys meeting International Residential Code standards for solid fuel appliances.
4. **INSTALL VENT AT CLEARANCES SPECIFIED BY THE VENT MANUFACTURER.**
5. Secure exhaust venting system to the appliance with at least 3 screws. Also secure all connector pipe joints with at least 3 screws through each joint.
6. **DO NOT INSTALL A FLUE DAMPER IN THE EXHAUST VENTING SYSTEM OF THIS Appliance.**
7. **DO NOT CONNECT THIS Appliance TO A CHIMNEY FLUE SERVING ANOTHER APPLIANCE.**


NOTE: All pipe must be welded seam pipe whenever possible. Seal pipe joints with high temperature silicone (500°F [260°C] minimum rated only).

NOTE: If burning shelled field corn, you must use approved venting specifically designed for corn. Follow the instructions from the venting manufacturer.

F. Equivalent Feet of Pipe

The table below can help you calculate the equivalent feet of pipe which is a method used to determine pellet vent size (Figure 17.1).


WARNING



Vent surfaces get HOT, can cause burns if touched. Non-combustible shielding or guards may be required.

Example of 3 Elbow-Rear Vent Termination Calculation

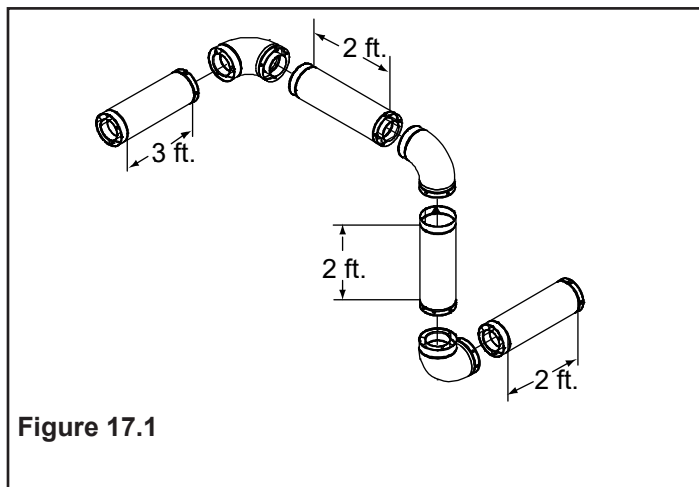




Figure 17.1

Pellet Venting Component	90° Elbow or Tee	45° Elbow	Horizontal Pipe	Vertical Pipe
# of Elbows	3			
Feet of Pipe			7	2
Multiplied By	X	X	X	X
Equivalent Feet	5	3	1	0.5
Components Equivalent Feet	15		7	1
<i>Total Equivalent Feet</i>	23			

NOTE: This is a generic example and is not intended to represent any specific fuel type.


WARNING



Fire Risk.

- Only LISTED venting components may be used.
- NO OTHER vent components may be used.
- Substitute or damaged vent components may impair safe operation.

G. Pipe Selection Chart

The chart will help you in determining proper venting size according to the equivalent feet of pipe calculated previously and the altitude above sea level of this installation (Figure 16.2).

- a. Locate the calculated equivalent feet of pipe on the vertical left side of the chart.
- b. Move to the right horizontally on the chart until you reach your altitude above sea level.
- c. If you fall below the diagonal line, 3 or 4 inch (76 to 102mm) pipe may be used.
- d. If it is anywhere above the diagonal line, a 4 inch (102mm) diameter pipe is required.

NOTICE:

- A 90° elbow is 5 times as restrictive to the flow of exhaust gases under positive pressure as 1 foot (305mm) of horizontal pipe.
- A foot of horizontal pipe is twice as restrictive as a foot of vertical pipe.

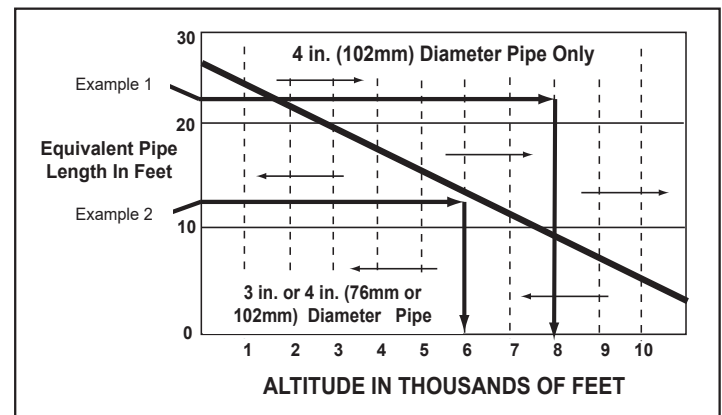


Figure 17.2

Example 1: If the equivalent length of pipe is 23 feet (7m) with altitude of 8,000 feet (2438m) you must use 4 inch (102mm) diameter type “L” or “PL” vent.

Example 2: If the equivalent length of pipe is 12 feet (3.7m) with altitude of 6,000 feet (1829m) you may use 3 or 4 inch (76 to 102mm) diameter type “L” or “PL” vent.


WARNING

RISK OF INJURY OR PROPERTY DAMAGE!



- Improper installation, adjustment, alteration, service or maintenance can cause injury or property damage.
- Refer to the owner’s information manual provided with this appliance.
- For assistance or additional information consult a qualified installer, service agency or your dealer.

5 Venting Systems

A. Full Reline With Outside Air - Horizontal

CAUTION

Never draw outside combustion air from:

- Wall, floor or ceiling cavity
- Enclosed space such as an attic or garage

! WARNING



Fire Risk.

Inspection of Chimney:

- Masonry chimney must be in good condition.
- Meets minimum standard of NFPA 211
- Factory-built chimney must be a minimum 6 inch (152mm) UL103 HT.

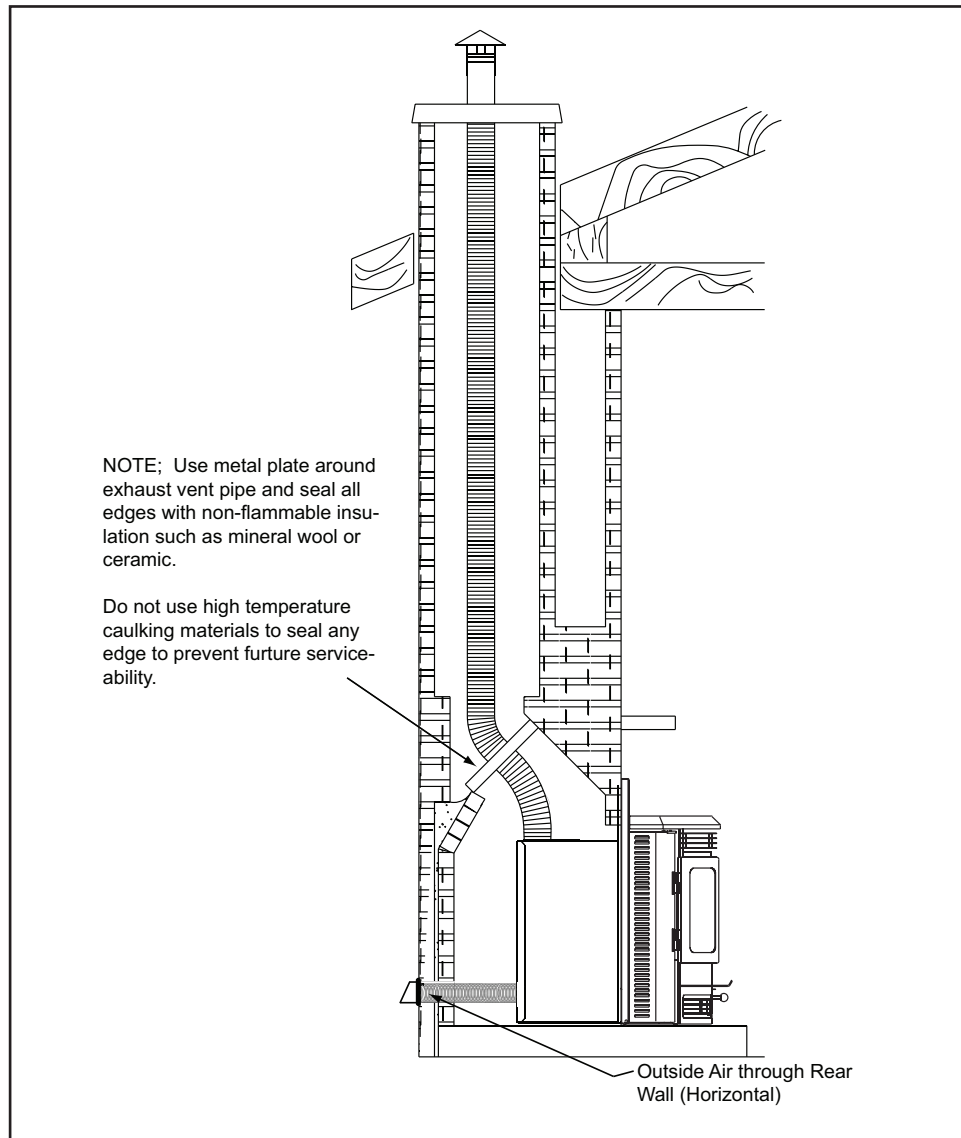


Figure 18.1

NOTE:

In Canada, where passage through a wall or partition of combustible construction is desired, the installation shall conform to CAN/CSA-B365.

NOTE:

- Illustrations reflect typical installations and are FOR DESIGN PURPOSES ONLY.
- Illustrations/diagrams are not drawn to scale.
- Actual installation may vary due to individual design preference.

B. Full Reline With Outside Air - Vertical

NOTE: Check clearances carefully for this type of installation to ensure adequate room for outside air venting.

NOTE: In Canada only a full reline is allowed per ULC S628, ORD ULC C1482-M1990.

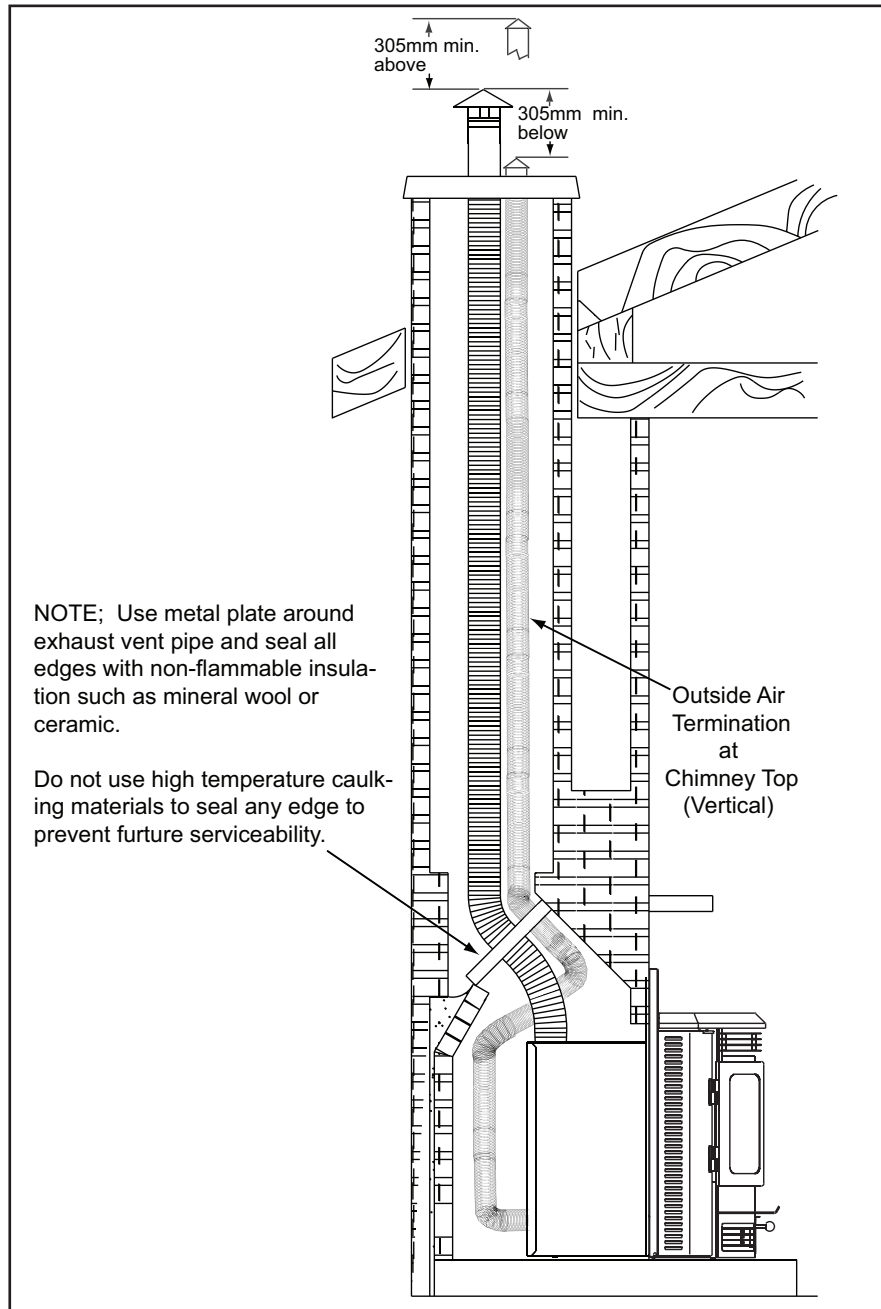


Figure 19.1

NOTE: In Canada this fireplace insert must be installed with a continuous chimney liner extending from the fireplace insert to the top of the chimney. The chimney liner must conform to the Class 3 requirements of CAN/ULC-S635, Standard for Lining Systems for Existing Masonry or Factory-Built Chimneys and Vents, or CAN/ULC-S640, Standard for Lining Systems for New Masonry Chimneys.

CAUTION

- Check building codes prior to installation.
- Installation **MUST** comply with local, regional, state and national codes and regulations.
 - Consult local building, fire officials or authorities having jurisdiction about restrictions, installation inspection, and permits.

6 Appliance Set-Up

A. Rear Shroud Installation

Tools Required:

Electric drill, #26 drill bit, Phillips screw driver, 3/8 inch wrench, and 7/16 inch socket wrench.

Needed to complete installation of the Rear Shroud Assembly; 811-0680, will need to purchase one of the following kits:

3 Inch Top Vent Adapter (811-0660)	or	4 Inch Top Vent Adapter (811-0670)
------------------------------------	-----------	------------------------------------

Do not drill any holes into the appliance until the shroud assembly is attached to the appliance via screws completely; this will ensure the holes line up between the appliance and the shroud assembly.

1. Remove the top vent adapter from the vertical exhaust transition pipe (Figures 20.1 and 20.2).

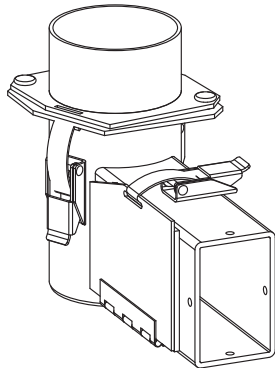


Figure 20.1

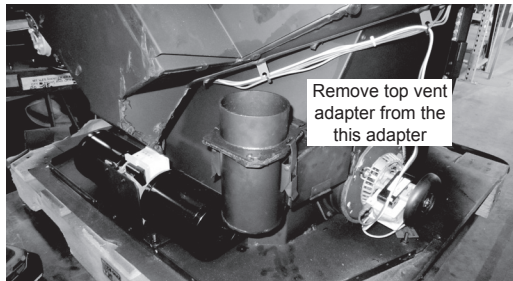


Figure 20.2

Note for the follow step verify the use of the correct hole placement for the filler piece attachment.

2. Using a Phillips head screwdriver and two screws to attach Filler Bracket (Figure 20.3).

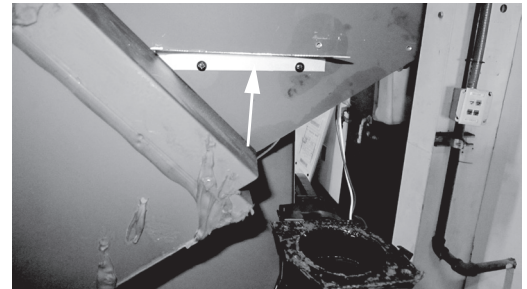
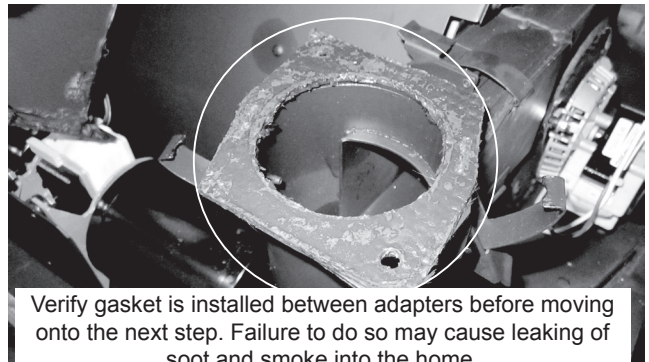


Figure 20.3



3. Using a 3/8-inch wrench and 7/16-inch socket wrench fasten Rear Shroud Top Vent to the the exhaust transition with two bolts and two nuts. Secure with two clamps from the appliance (Figures 20.4 and 20.5).

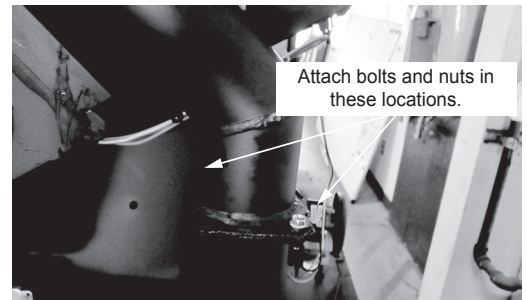


Figure 20.4

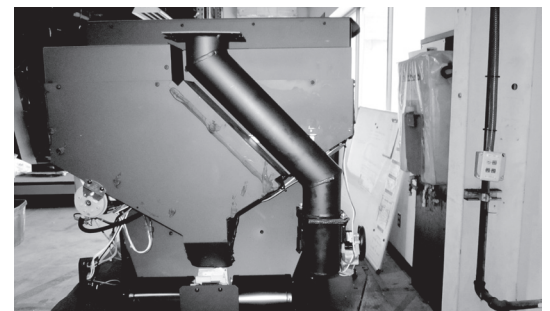


Figure 20.5

4. Install the left shroud panel corner; 2 screws into back of hopper and 1 screw down into the filler piece (**Figure 21.1**).

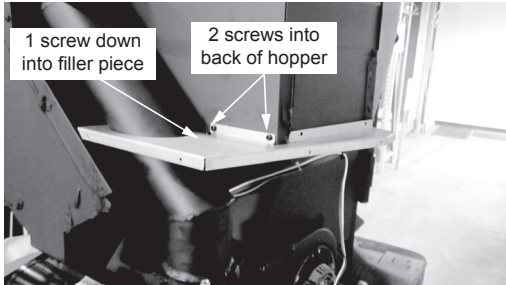


Figure 21.1

8. Assemble the right shroud panel corner and the right shroud panel using 3 screws (**Figure 21.5**).

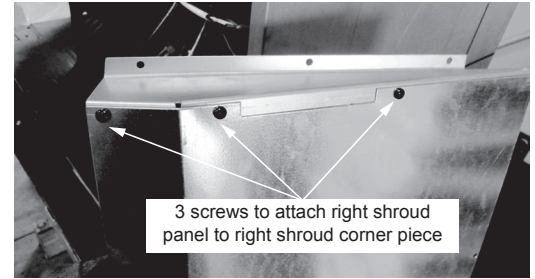


Figure 21.5

5. Install the Rear Panel using six screws (**Figure 21.2**).

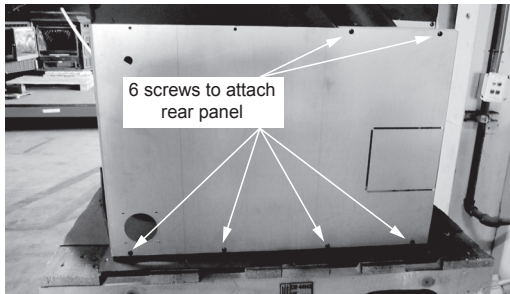


Figure 21.2

9. Attach the right panel assembly using 4 screws to appliance (**Figure 21.6**).

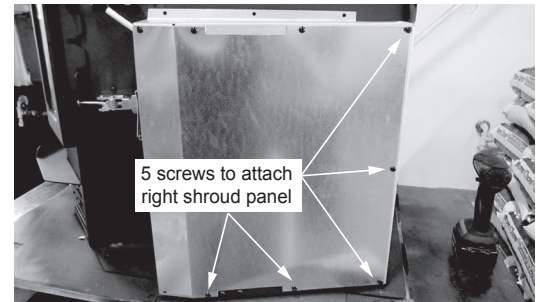


Figure 21.6

6. Install the cover plate over the top vent opening using 4 screws (**Figure 21.3**).

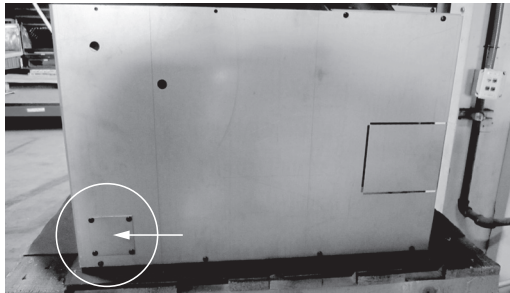


Figure 21.3

10. Using the electric drill with #26 drill; bit drill 3 holes into the hopper. Add three screws to secure shroud assembly to the appliance (**Figure 21.7**).

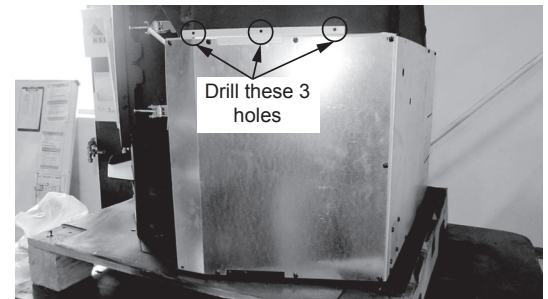


Figure 21.7

7. Attach the left shroud panel using eight screws (**Figure 21.4**).

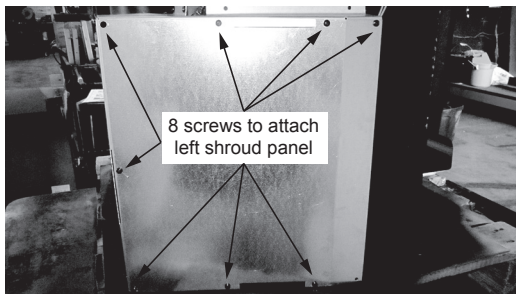


Figure 21.4

11. Using the electric drill with #26 drill; bit drill 2 holes into the back of the hopper. Add two screws to secure shroud assembly to the appliance (**Figure 21.8**).

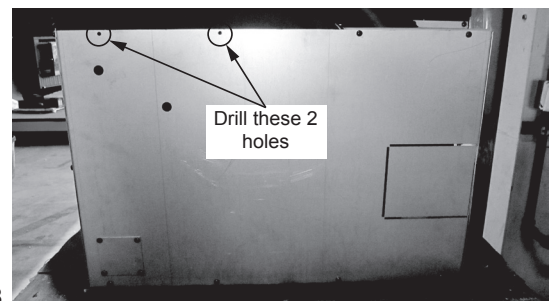


Figure 21.8

12. Using the electric drill with #26 drill bit; drill 2 holes into the left side of the hopper. Add two screws to secure shroud assembly to the appliance (**Figure 22.1**).

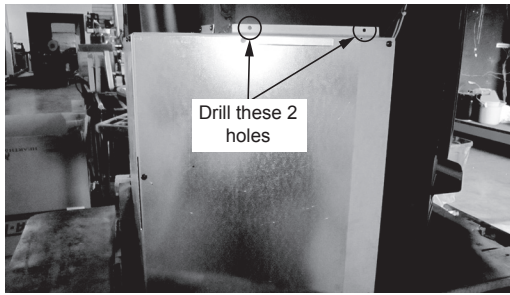


Figure 22.1

13. Attach appropriate the top vent adapter; either 3 inch or 4 inch depending on size of vent pipe using for your application. Attach this to the top of Rear Shroud Top Vent (**Figures 22.2 and 22.3**).

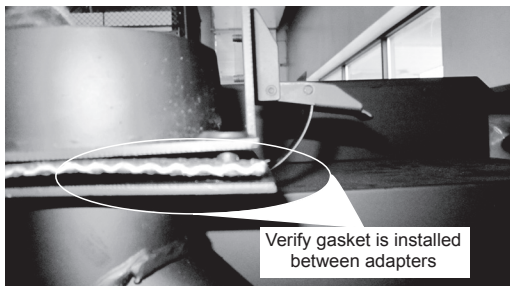


Figure 22.2

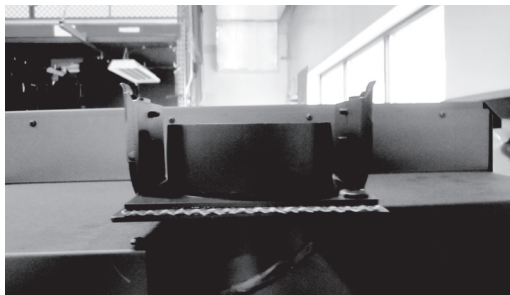


Figure 22.3

B. Outside Air Kit Instructions

NOTE: A Quadra-Fire outside air kit; 811-0872, is available through your Quadra-Fire Dealer to be used as a the outside air option, but is required for mobile home installations. See page 26 **Section 7 Mobile Home Installation** for more details.

Parts need from the kit: 1 piece of flex hose, 2 hose clamps, trim ring, and 1 termination cap assembly See Figure 21.5 and 8 screws.

Tools Needed: Phillips head screw driver; hole saw or jig saw.

1. Measure distance from floor to air vent opening in appliance and mark location on wall.
2. Use saw to cut opening in wall. Cut a 2-1/2 to 3 inches (64-76mm) opening on inside wall and a 3 to 3-1/2 inch (76-89mm) opening on outside of house.
3. Use hose clamp to secure flex pipe to collar assembly.
4. Slide trim ring over flex pipe and run pipe through wall.
5. Attach hose to outside termination cap with second hose clamp.
6. Secure termination cap to outside surface.
7. Secure trim ring to interior wall.

CAUTION

Never draw outside combustion air from:

- Wall, floor or ceiling cavity
- Enclosed space such as an attic or garage

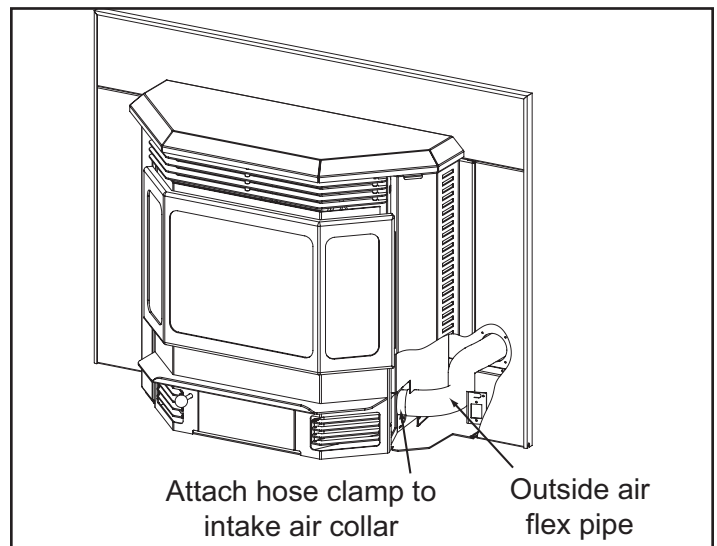


Figure 22.4

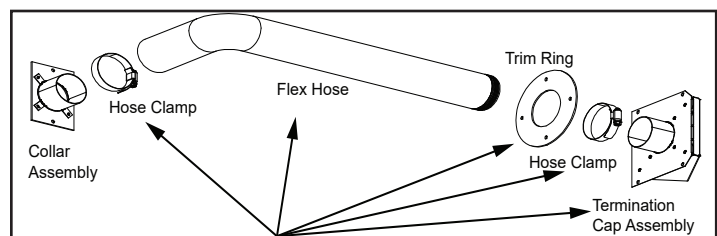


Figure 22.5 Outside Air Kit, 811-0872

C. Adjustable Hopper Options

Depending on your installation, the hopper can be adjusted down 2-1/2 inches (64mm) and will decrease in capacity from 75lbs to 60lbs.

To adjust hopper:

1. Using a Phillips head screw driver, remove all the screws from the top of the hopper securing the top hopper piece to the bottom hopper piece and insert body.
2. Adjust downward 2-1/2 inches (64mm).
3. Mark location for new holes and drill new holes.
4. Secure hopper pieces together using screws removed in step one.
5. See drawing on **page 8, Figures 8.1 and 8.2.**

D. Grill Installation

1. Remove grill from packaging.
2. Lift top up.
3. Align the 3 holes in the insert with the holes in the grill.
4. Use a Phillips screw driver to secure in place. It will be necessary to go through the hole in the bag support shelf to gain access to the screw. **Figure 23.1.**
5. Lower the top into position.

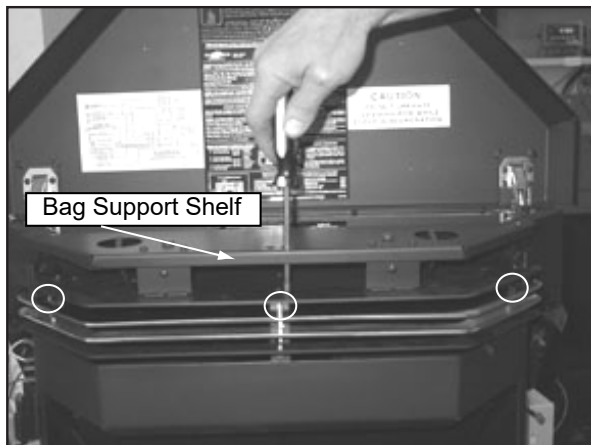


Figure 23.1

E. Adjustable Hearth Support

Size: 9"D x 45"W, 2" to 10" Height Adjustment

Included in Kit: (1) trim top, (1) trim front, (2) trim sides, double-sided tape (already installed)

Tools Needed: Phillips head screw driver, sheet metal shears, measuring tape, gloves

1. The 10 screws on each set of scissors will already be loose when shipped. **Figure 24.1 on page 24.**
2. Expand scissors to desired height. Tighten screws to hold in place using Phillips head screw driver. **Figure 24.2 on page 24.**
3. Measure front and side trims to required height to cover scissors and mark pieces for cutting. Cut excess material from **top** of trims edge, not bottom. This edge will be sharp; wear gloves to prevent injury to your hands. **Figure 24.3 on page 24.**
4. Using sheet metal shears, cut trim along the marked edge. The cut edge fits under lip of top trim, so it allows for some variance in your straight edge.
5. The double-sided tape that holds front and side trims to scissors has a powerful bonding adhesive. Adjustments are extremely difficult once trim has adhered to tape. Do a dry run first without removing paper from tape.
6. Place cut edge of trim under top lip and into position on scissors. Place side pieces on first and then front piece. The front piece overlaps side pieces.
7. Once you are satisfied with the positioning, remove trim and set aside.
8. Remove the paper from double-sided tape that is to accept trim side. Align side and then press hard against tape to secure side piece. Repeat for other side. Install front trim piece last.
9. There are 3 holes in the back flange of the top to secure it to the wall if necessary. Use the appropriate fastener for the type of wall material, i.e., brick, sheet rock, etc.

NOTE: 3/8 inch (9.5mm) thick tile or like material can be cut to size and fit under lip of top trim edge for a decorative touch. **Figure 24.3 on page 24.**

WARNING



Sheet metal trim edges will be sharp.
For safety purposes wear gloves.
Injury can occur.

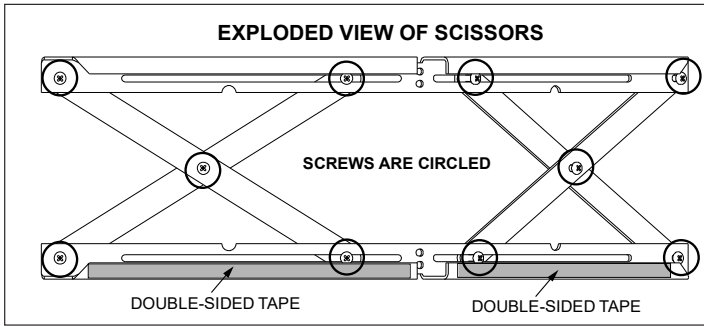


Figure 24.1

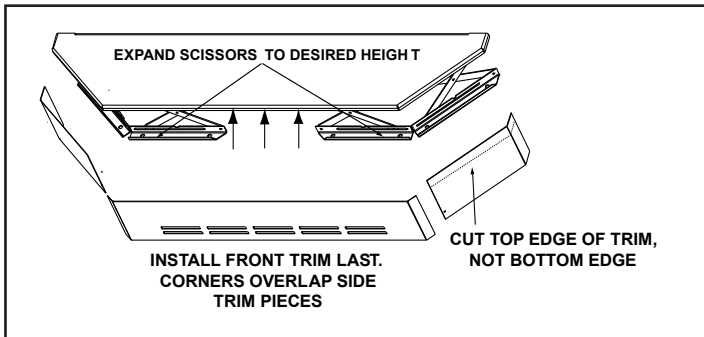


Figure 24.2

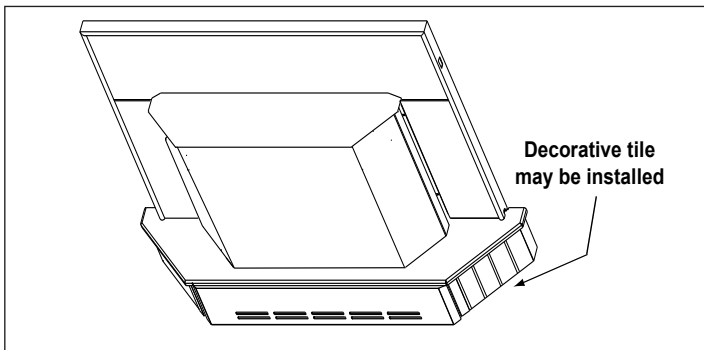


Figure 24.3

F. Panel and Trim Set

Standard Size: 30 inches H x 40 inches W (762mm x 1016mm)

Large Size: 33 inches H x 50 inches W (838mm x 1270mm)

Included in Kit: 2 side panels, 1 top panel, 2 side trim, 1 top trim, 2 corner brackets and fastener package.

Tools Needed: Phillips and flat head screw drivers.

1. Unpack and lay out parts face down (flanges up) on a non-abrasive surface as shown in **Figure 24.4**. Install (1) 8-32 x 3/8 inch screw into bottom tab of side panel **Figure 24.5**.
2. Set the large hole at bottom of side curtain over screw installed in **Figure 24.15**.
3. Stand assembly on end and attach and install (1) 8-32 x 3/8 inch screw through tab in side panel and curtain. **Figure 25.2 on page 25**. Lay face down as shown in **Figure 25.3 on page 25**.
4. Align top panel to side panel setting clearance hole over screw head in side panel/curtain assembly. Install (2) 8-32 x 3/8 inch screws through holes in side panel into top panel. **Figure 25.4 on page 25**. Complete for both sides.

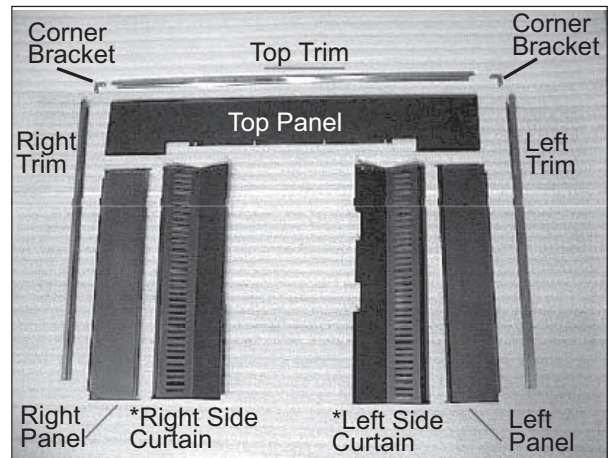


Figure 24.4

NOTE: *Right and left side curtains are shipped with the insert.

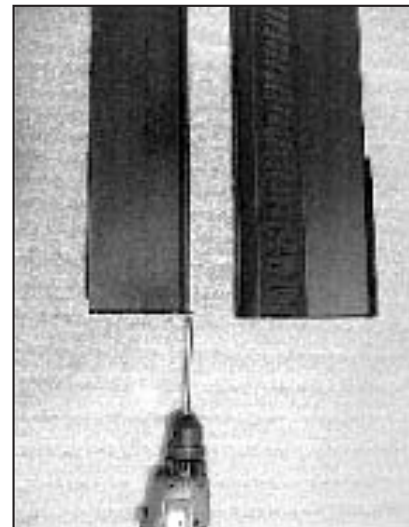


Figure 24.5

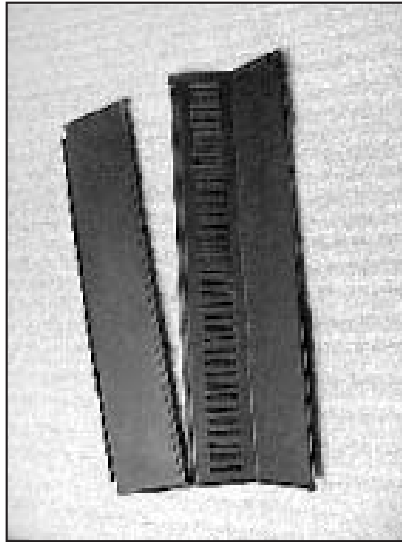


Figure 25.1



Figure 25.2

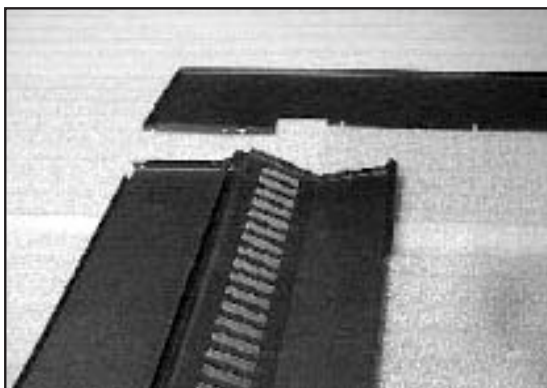


Figure 25.3



Figure 25.4

F. Panel and Trim Set (Cont'd)

5. Hold side curtains in open position and lower panel set over insert setting lower edge of top panel in slot between hopper lid and panel support as shown in **Figure 25.5**. Place existing screw head (installed in **Figure 25.6**) into locator hole in floor of insert. **Figure 25.6**.
6. Lift hopper lid and press down on panel top while installing (4) 8-32 x 3/8 inch screws into holes in panel support. (If screws have been factory installed, tighten to secure panel to panel support.) Return hopper lid to closed position.
7. Install a corner bracket on each side trim piece. Slide brackets into top trim from each side and secure with flathead screwdriver. Attach trim assembly to panel set as follows:
 - a. Ensure that brackets face towards the back.
 - b. Align trim assembly to panel set sides and slide down.



Figure 25.5

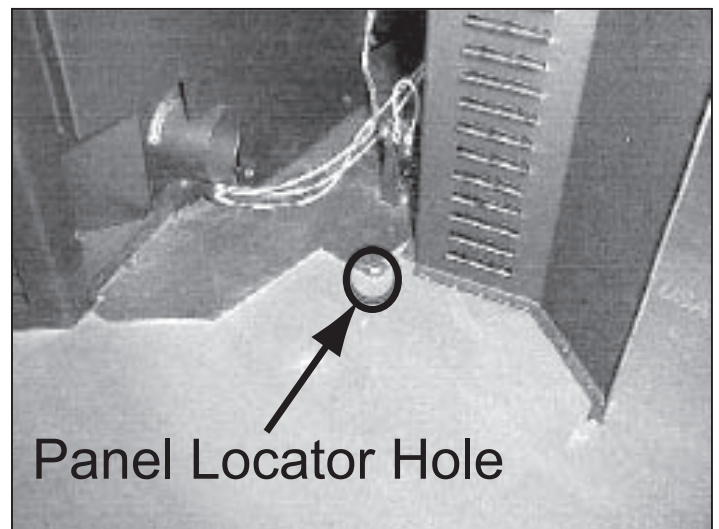


Figure 25.6

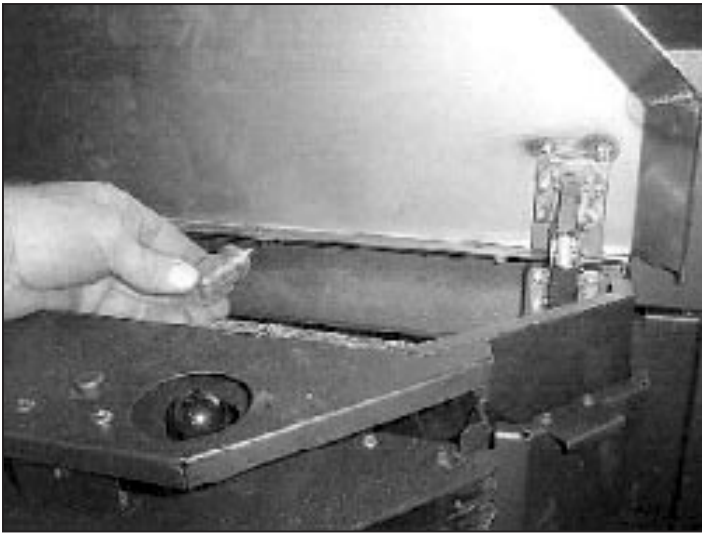


Figure 26.1

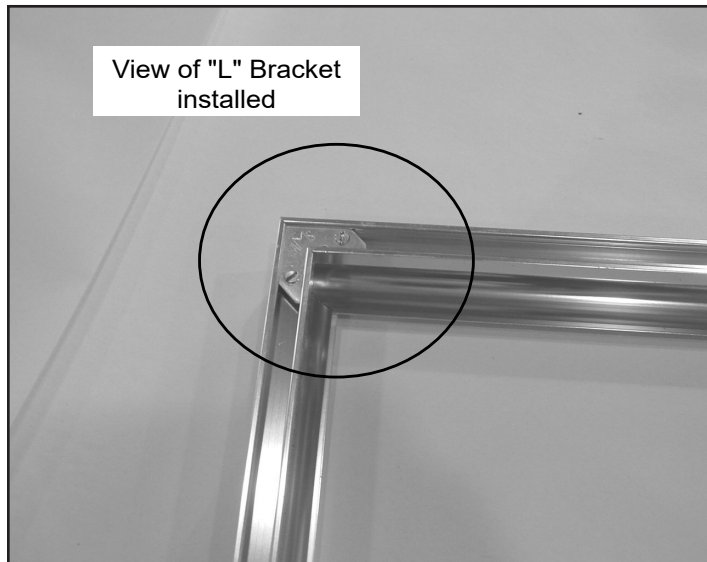


Figure 26.2



Figure 26.2 Completed View

G. Thermostat Installation and Operation

The kit comes with a programmable wall thermostat and 25' of thermostat wire. If you need to run more than 25' make sure you use a continuous strand of 18 to 22 gauge thermostat wire. For optimum performance your thermostat should be:

- Mounted on an inside wall, approximately 5' above the floor
- Do not locate where there is poor air circulation such as in a corner, alcove, behind doors, bookcase or other objects
- Located away from drafts, direct sunlight, above a lamp, television, radiator, a wall next to a window, or direct heat from the appliance
- Avoid damp environments as this can lead to corrosion that may shorten thermostat life
- If painting or construction work around, cover the thermostat completely or wait until work is complete before installation.



CAUTION



Shock hazard.

- Do NOT remove grounding prong from plug.
- Plug directly into properly grounded 3 prong receptacle.
- Route cord away from appliance.
- Do NOT route cord under or in front of appliance.

1. Separate the body of the thermostat from the mounting plate by gently pulling the two pieces apart (**Figure 27.1**)

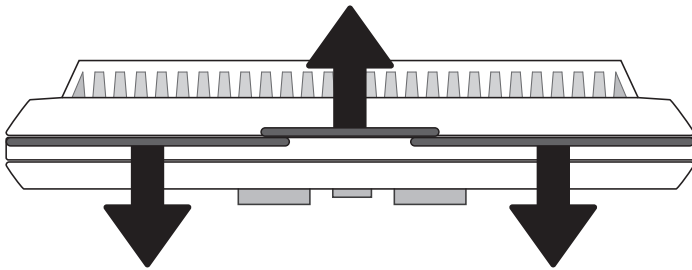


Figure 27.1

2. Use a drill with either a 3/16 drill bit for drywall or a 7/32 drill bit for plaster drill holes.
3. Using a hammer tap in wall anchors.
4. Route the wires through the opening in the base plate, and hold the base against the wall while aligning up to the holes. Attach base plate using a Phillips head screwdriver and two screws.
5. Connect your thermostat wire to the W and R terminals (**Figure 27.2**).

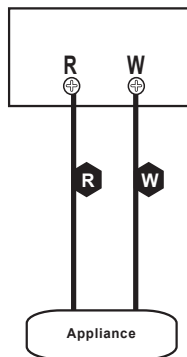


Figure 27.2

NOTE: Ensure bare wire ends are held ALL the way into the terminal block while the screws are being tightened.

6. There are two **AA ALKALINE ONLY** batteries already installed into the thermostat; to activate, remove black plastic tab that is located inside the battery compartment.

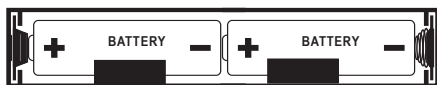


Figure 27.3

7. Snap the thermostat to the base plate.

CONNECT THERMOSTAT WIRES TO APPLIANCE:

There is a 4 screw terminal block located on the back lower left corner of the stove directly above the power cord inlet. The center 2 screws are for the thermostat wires (**Figure 27.4**).

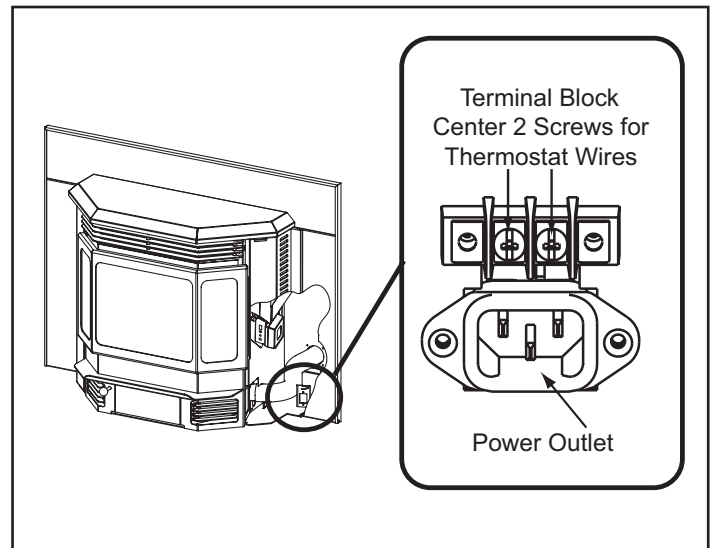


Figure 27.4

CAUTION



- Shock hazard.
- Do NOT remove grounding prong from plug.
 - Plug directly into properly grounded 3 prong receptacle.
 - Route cord away from appliance.
 - Do NOT route cord under or in front of appliance.

H. Optional Log Set Placement Instructions

! CAUTION

Logs are FRAGILE. Use extreme care when handling or cleaning logs.

1. Place the front log in first as shown in **Figure 28.1** charred area surrounding fire pot.
2. Set the left and right logs onto the front log, placing the holes in the base of the left and right logs over the locating pins in the front log. See **Figure 28.2**. Ensure that the charred ends are facing the fire pot.

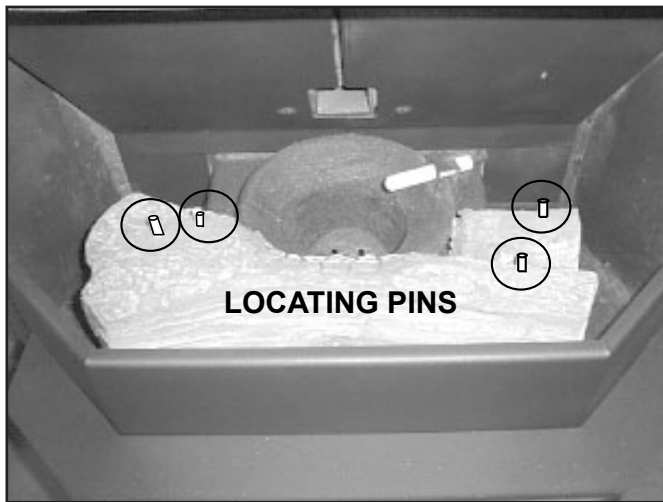


Figure 28.1

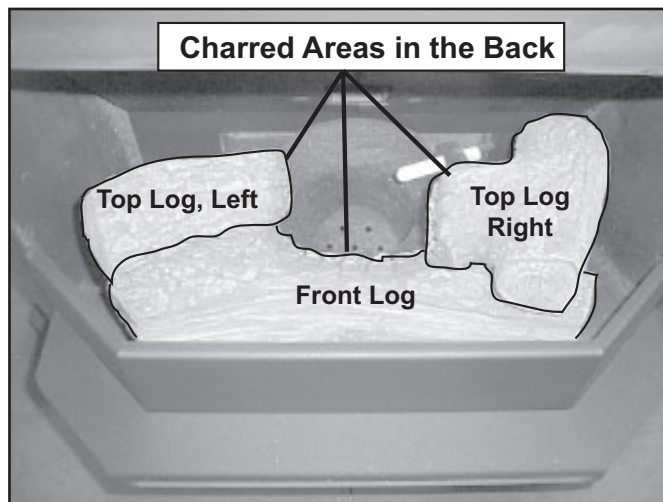


Figure 28.2

NOTE: Due to the abrasive nature of a pellet appliance fire, the logs are not covered under warranty. Any placement variation other than shown here can cause excessive heat and shall void the appliance warranty.

7 Mobile Home Installation

You must use a Quadra-Fire Outside Air Kit 811-0872 for installation in a mobile home.

1. An outside air inlet must be provided for the combustion air and must remain clear of leaves, debris, ice and/or snow. It must be unrestricted while the appliance is in use to prevent room air starvation which causes smoke spillage. Smoke spillage can also set off smoke alarms.
2. The combustion air duct system must be made of metal. It must permit zero clearance to combustible construction and prevent material from dropping into the inlet or into the area beneath the dwelling and contain a rodent screen.
3. The appliance must be secured to the mobile home structure by bolting it to the floor (using lag bolts). Use the same holes that secured the appliance to the shipping pallet.
4. The appliance must be grounded with #8 solid copper grounding wire or equivalent, terminated at each end with an NEC approved grounding device.
5. Refer to Clearances to Combustibles and floor protection requirements on **page 8** for listings to combustibles and appropriate chimney systems.
6. Use silicone to create an effective vapor barrier at the location where the chimney or other component penetrates to the exterior of the structure.
7. Follow the chimney manufacturer's instructions when installing the vent system for use in a mobile home.
8. Installation shall be in accordance with the Manufacturers Home & Safety Standard (HUD) CFR 3280, Part 24.

NOTE: A Quadra-Fire outside air kit; 811-0872, is available through your Quadra-Fire Dealer.

! CAUTION

Never draw outside combustion air from:

- Wall, floor or ceiling cavity
- Enclosed space such as an attic or garage

! WARNING

It is critical to have a working smoke detector installed in the home of appliance operation.

- Smoke alarms that are properly installed and maintained play a vital role in reducing fire deaths and injuries. Having a working smoke alarm reduces the chance of fire related injuries.

! CAUTION

THE STRUCTURAL INTEGRITY OF THE MOBILE HOME FLOOR, WALL AND CEILING/ROOF MUST BE MAINTAINED

Do NOT cut through:

- Floor joist, wall, studs or ceiling trusses.
- Any supporting material that would affect the structural integrity.

This appliance is to be connected to a factory-built chimney conforming to CAN/ULC-S629, Standard for 650°C Factory-Built Chimneys.

For removal of the chimney for mobile home transportation, contact the proper transportation officials.

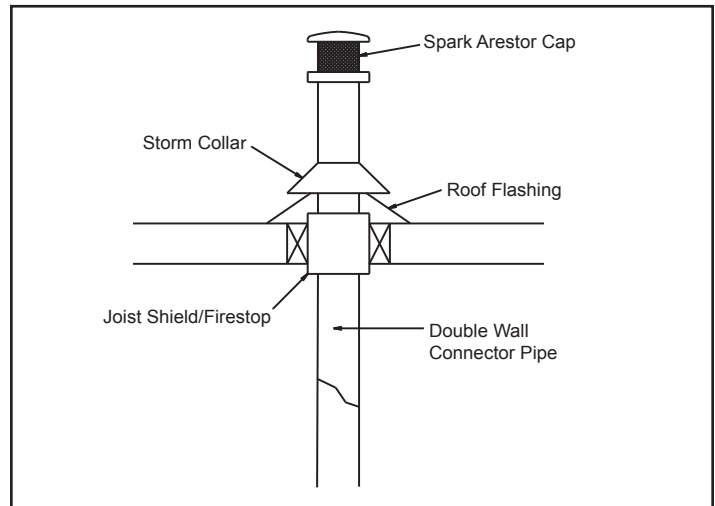


Figure 29.1

! WARNING

Products of combustion generate carbon monoxide and different fuels generate different levels. Carbon monoxide

- Only use approved fuels in this appliance.
- Always keep door shut during operation. Operating this appliance with doors open can allow CO to leak into the home.

CO can kill you before you are aware it is in your home. At lower levels of exposure, CO causes mild effects that are often mistaken for the flu. These symptoms include headaches, dizziness, disorientation, nausea and fatigue. The effects of CO exposure can vary greatly from person to person depending on age, overall health and the concentration and length of exposure.

! WARNING

NEVER INSTALL IN A SLEEPING ROOM.

8 Reference Materials

A. Service & Maintenance List

Date of Service	Performed By	Description of Service

Date of Service	Performed By	Description of Service

B. Accessory List

QUADRA-FIRE®

NOTHING BURNS LIKE A QUAD

CONTACT INFORMATION

Hearth & Home Technologies
352 Mountain House Road
Halifax, PA 17032
Division of HNI INDUSTRIES

Please contact your Quadra-Fire dealer with any questions or concerns.
For the number of your nearest Quadra-Fire dealer
log onto www.quadrafire.com



CAUTION



DO NOT DISCARD THIS MANUAL

- Important operating and maintenance instructions included.
- Read, understand and follow these instructions for safe installation and operation.
- Leave this manual with party responsible for use and operation of this appliance.



We recommend that you record the following pertinent information for your heating appliance.

Date purchased/installed: _____

Serial Number: _____

Location on appliance: _____

Dealership purchased from: _____

Dealer Phone: 1() - _____

Notes:

This product may be covered by one or more of the following patents: (United States) 5341794, 5263471, 6688302, 7216645, 7047962 or other U.S. and foreign patents pending.


HEARTH & HOME
technologies™