

Installation Manual

Installation & Appliance Set-Up

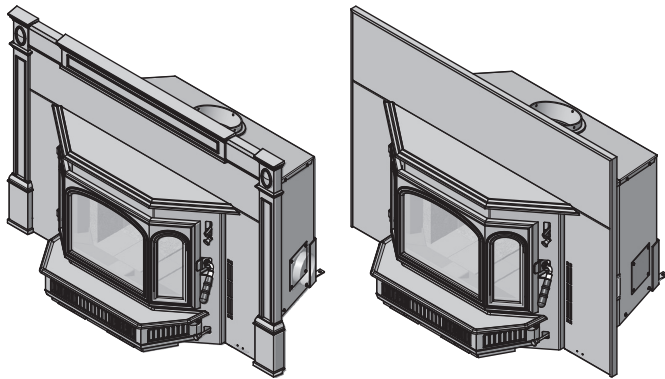
INSTALLER: Leave this manual with party responsible for use and operation.
OWNER: Retain this manual for future reference.

NOTICE: DO NOT DISCARD THIS MANUAL

QUADRA-FIRE

**4100I ACC WOOD INSERT
AUTOMATIC COMBUSTION
CONTROL (ACC)
MODEL:
41I-ACC-BK**

This appliance has been retired.
Service parts pages within have been removed.
For replacement parts, please refer to the individual service parts
list located on the brand websites.



Installation and service of this appliance should be performed by qualified personnel. Hearth & Home Technologies recommends HHT Factory Trained or NFI certified professionals.

hearthED
FACTORY TRAINING
Fuel Your Fire

NFI NATIONAL
FIREPLACE
INSTITUTE®
A CERTIFICATION AGENCY

WARNING



If the information in these instructions is not followed exactly, a fire could result causing property damage, personal injury, or death.

- Do not store or use gasoline or other flammable vapors and liquids in the vicinity of this or any other appliance.
- Do not over fire - If appliance or chimney connector glows, you are over firing. Over firing will void your warranty.
- Comply with all minimum clearances to combustibles as specified. Failure to comply may cause house fire.

WARNING



HOT SURFACES!

Glass and other surfaces are hot during operation AND cool down.

Hot glass and appliance will cause burns.

- Do not touch glass until it is cooled
- Use leather gloves when reloading fuel
- NEVER allow children to touch glass
- Keep children away
- CAREFULLY SUPERVISE children in same room as appliance.
- Alert children and adults to hazards of high temperatures
- **High temperatures may ignite clothing or other flammable materials.**
- Keep clothing, furniture, draperies and other flammable materials away.

WARNING



Fire Risk.

For use with solid wood fuel only.
Other fuels may over fire and generate poisonous gases (i.e. carbon monoxide).

NOTE

To obtain a French translation of this manual, please contact your dealer or visit www.quadrafire.com

Pour obtenir une traduction française de ce manuel, s'il vous plaît contacter votre revendeur ou visitez www.quadrafire.com

Safety Alert Key:

- **DANGER!** Indicates a hazardous situation which, if not avoided will result in death or serious injury.
- **WARNING!** Indicates a hazardous situation which, if not avoided may result in death or serious injury.
- **CAUTION!** Indicates a hazardous situation which, if not avoided, may result in minor or moderate injury.
- **NOTICE:** Indicates practices which may cause damage to the appliance or to property.

TABLE OF CONTENTS

| | |
|---|---|
| 1 Important Safety Information..... 3 | 5 Appliance Set-Up 18 |
| A. Insert Certification3 | A. Outside Air Kit Installation18 |
| B. BTU & Efficiency Specifications3 | B. Securing Stove Pipe/Liner to Flue Collar19 |
| C. Mobile Home Approved4 | C. Leveling Legs19 |
| D. Glass Specifications4 | D. Securing Appliance to Stove Pipe/Liner19 |
| E. Non-Combustible Materials4 | E. Surround & Trim Kit Installation20 |
| F. Combustible Materials4 | F. Blower Cord Installation on Left Side20 |
| G. Sleeping Room4 | G. Zero Clearance Adjustable Trim Support21 |
| H. California - Prop654 | 6 Mobile Home Installation..... 22 |
| 2 Getting Started 5 | 7 Reference Materials 23 |
| A. Design and Installation Considerations5 | A. Service and Maintenance Log23 |
| B. Draft5 | B. Accessory List25 |
| C. Negative Pressure6 | |
| D. Tools And Supplies Needed6 | |
| E. Inspection of Appliance and Components6 | |
| F. Install Checklist7 | |
| 3 Dimensions and Clearances 8 | |
| A. Appliance Dimensions8 | |
| B. Clearances to Combustibles10 | |
| C. Alternate Floor Protection Calculation11 | |
| 4 Chimney Systems 12 | |
| A. Locating Your Appliance & Chimney12 | |
| B. Chimney Termination Requirements13 | |
| C. 2-10-3 Rule13 | |
| D. Venting Systems14 | |
| E. Inspections14 | |
| F. Chimney Height / Rise and Run14 | |
| G. Securing Chimney Components14 | |
| H. Larger Chimneys14 | |
| I. Masonry Chimney15 | |
| J. Metal Heat Circulating Masonry16 | |
| K. Prefabricated Metal Chimney16 | |
| L. Ovalizing Round Stainless Steel Liners17 | |
| M. Altering The Fireplace17 | |
| N. Zero-Clearance Fireplace17 | |

Quadra-Fire is a registered trademark of Hearth & Home Technologies.

1 Important Safety Information

A. Insert Certification

| | |
|--------------------|---|
| Model: | 4100i ACC Wood Insert |
| Laboratory: | Intertek |
| Report No: | 100428837PRT-001 |
| Type: | Solid Fuel Type, Listed Room Heater |
| Standard: | UL1482 and ULC S628-93 and (UM) 84-HUD, Mobile Home Approved. |

B. BTU & Efficiency Specifications

| | |
|---|------------------------|
| EPA Certification #: | 876 |
| EPA Certified Emissions: | 4.3 grams per hour |
| *LHV Tested Efficiency: | 78.5 % |
| **HHV Tested Efficiency: | 72.7 % |
| ***EPA BTU Output: | 11,700 to 25,900 / hr. |
| ****Peak BTU/Hour Output: | 60,500 |
| Vent Size: | 6 inches |
| Firebox Size: | 2.43 cubic feet |
| Recommended Wood Length: | 18 inches |
| Fuel Orientation: | Side-to-Side |
| Fuel | Seasoned Cord Wood |
| * Weighted average LHV efficiency using Douglas Fir dimensional lumber and data collected during EPA emissions test. | |
| **Weighted average HHV efficiency using Douglas Fir dimensional lumber and data collected during EPA emissions test. | |
| ***A range of BTU outputs based on EPA Default Efficiency and the burn rates from the low and high EPA tests, using Douglas Fir dimensional lumber. | |
| ****A peak BTU out of the unit calculated using the maximum first hour burn rate from the High EPA Test and the BTU content of cord wood (8600) times the efficiency. | |

NOTE: This installation must conform with local codes. In the absence of local codes you must comply with the **UL1482, (UM) 84-HUD and NPFA211 in the U.S.A. and the ULC S628-93 and CAN/CSA-B365 Installation Codes in Canada.**

The Quadra-Fire 4100i ACC Wood Insert meets the U.S. Environmental Protection Agency's crib wood emission limits for wood heaters sold after May 15, 2015.

This wood appliance needs periodic inspection and repair for proper operation. Consult the owner's manual for further information. It is against federal regulations to operate this wood heater in a manner inconsistent with the operating instructions in the owner's manual.

Approved for ZC fireboxes.

C. Mobile Home Approved

- This appliance is approved for mobile home installations; when not installed in a sleeping room and when an outside combustion air inlet is provided.
- The structural integrity of the mobile home floor, ceiling, and walls must be maintained.
- The appliance must be properly grounded to the frame of the mobile home with #8 copper ground wire.
- Outside Air Kit, part OAK-ACC must be installed in a mobile home installation.

D. Glass Specifications

This appliance is equipped with 5mm ceramic glass. Replace glass only with 5mm ceramic glass. Please contact your dealer for replacement glass.

E. Non-Combustible Materials

Material which will not ignite and burn, composed of any combination of the following:

- Steel
- Concrete
- Plaster
- Tile
- Brick
- Glass
- Iron
- Slate

Materials reported as passing ASTM E 136, Standard Test Method for Behavior of Metals, in a Vertical Tube Furnace of 750° C.

F. Combustible Materials

Material made of/or surfaced with any of the following materials:

- Wood
- Plastic
- Compressed Paper
- Plywood/OSB
- Plant Fibers
- Sheet Rock (drywall)

Any material that can ignite and burn: flame proofed or not, plastered or non-plastered.

G. Sleeping Room

When installed in a sleeping room it is recommended that a smoke and/or CO alarm be installed in the bedroom. The size of the room must be at least 50ft³ per 1,000 Btu/hr stove input, if the stove exceeds the room size, out air must be installed.

H. California - Prop65



WARNING

This product and the fuels used to operate this product (wood), and the products of combustion of such fuels, can expose you to chemicals including carbon black, which is known to the State of California to cause cancer, and carbon monoxide, which is known to the State of California to cause birth defects or other reproductive harm. For more information go to: WWW.P65Warnings.ca.gov



WARNING



Fire Risk.

Hearth & Home Technologies disclaims any responsibility for, and the warranty will be voided by, the following actions:

- Installation and use of any damaged appliance.
 - Modification of the appliance.
 - Installation other than as instructed by Hearth & Home Technologies.
 - Installation and/or use of any component part not approved by Hearth & Home Technologies.
 - Operating appliance without fully assembling all components.
 - Operating appliance without legs attached (if supplied with appliance).
 - Do NOT Over fire - If appliance or chimney connector glows, you are over firing.
- Any such action that may cause a fire hazard.

Improper installation, adjustment, alteration, service or maintenance can cause injury or property damage. For assistance or additional information, consult a qualified installer, service agency or your dealer.

NOTE: Hearth & Home Technologies, manufacturer of this appliance, reserves the right to alter its products, their specifications and/or price without notice.

Hearth & Home Technologies WILL NOT warranty appliances that exhibit evidence of over-firing. Evidence of over-firing includes, but is not limited to:

- Warped air tube
- Deteriorated refractory brick retainers
- Deteriorated baffle and other interior components

Install Guide

2 Getting Started

A. Design and Installation Considerations

CAUTION

Check building codes prior to installation.

- Installation **MUST** comply with local, regional, state and national codes and regulations.
- Consult insurance carrier, local building, fire officials or authorities having jurisdiction about restrictions, installation inspection, and permits.

Before installing, determine the following:

- Type of chimney connector to be used
 - Single wall, 6 inch (152mm) diameter, stainless steel, or
 - Double wall, 6 inch (152mm) diameter, stainless steel
- Consult page 28 for clearances to combustibles
- Power outlet located close by for optional blower



WARNING



Asphyxiation Risk.

- Do NOT connect this appliance to a chimney flue servicing another appliance.
- Do NOT connect to any air distribution duct or system.

May allow flue gases to enter the house.

B. Draft

Draft is the pressure difference needed to vent appliances successfully. When a appliance is drafting successfully, all combustion byproducts are exiting the home through the chimney.

Considerations for successful draft include:

- Preventing negative pressure
- Location of appliance and chimney

To be sure that your appliance burns properly:

- During a low burn, the chimney draft (static pressure) should be approximately -.04 inch water column (W.C.)
- During a high burn the chimney draft should be approximately -.10 inch (W.C.)
- Measure the W.C at 6 inches (152mm) above the top of the appliance after one hour of operation at each burn setting.

NOTICE: Hearth & Home Technologies assumes no responsibility for the improper performance of the appliance system caused by:

- Inadequate draft due to environmental conditions
- Down drafts
- Tight sealing construction of the structure
- Mechanical exhausting devices
- Over drafting caused by excessive chimney heights
- Ideal performance is with height of chimney between 14-16 feet (4.26-4.88m) measured from the base of the appliance.

C. Negative Pressure

WARNING



Asphyxiation Risk.

- Negative pressure can cause spillage of combustion fumes, soot and carbon monoxide.
- Appliance needs to draft properly for safety.

Negative pressure results from the imbalance of air available for the appliance to operate properly. It can be strongest in lower levels of the house.

Causes include:

- Exhaust fans (kitchen, bath, etc.)
- Range hoods
- Combustion air requirements for furnaces, water appliances and other combustion appliances
- Clothes dryers
- Location of return-air vents to furnace or air conditioning
- Imbalances of the HVAC air handling system
- Upper level air leaks such as:
 - Recessed lighting
 - Attic hatch
 - Duct leaks

To minimize the effects of negative air pressure:

- Install optional outside air kit with the intake facing prevailing winds during the heating season
- Ensure adequate outdoor air for all combustion appliances and exhaust equipment
- Ensure furnace and air conditioning return vents are not located in the immediate vicinity of the appliance
- Avoid installing the appliance near doors, walkways or small isolated spaces
- Recessed lighting should be a “sealed can” design
- Attic hatches weather stripped or sealed
- Attic mounted duct work and air handler joints and seams taped or sealed
- Basement installations should be avoided

WARNING



Fire Risk.

Hearth & Home Technologies disclaims any responsibility for, and the warranty will be voided by, the following actions:

- Installation and use of any damaged appliance.
- Modification of the appliance.
- Installation other than as instructed by Hearth & Home Technologies.
- Installation and/or use of any component part not approved by Hearth & Home Technologies.
- Operating appliance without fully assembling all components.
- Operating appliance without legs attached (if supplied with appliance).
- Do NOT Over fire - If appliance or chimney connector glows, you are over firing.

Any such action that may cause a fire hazard.

D. Tools And Supplies Needed

Before beginning the installation be sure the following tools and building supplies are available:

| | |
|---|-------------------------|
| Reciprocating saw | Flat blade screwdriver |
| Framing material | Electric drill and bits |
| Pliers | Plumb line |
| High temp caulking material | Safety glasses |
| Hammer | Level |
| Gloves | Tape measure |
| Phillips screwdriver | Misc. screws and nails |
| Framing square | 7/16 socket or wrench |
| 1/2-3/4 in. length, #6 or #8 self-drilling screws | |

E. Inspection of Appliance and Components

- Remove appliance and components from packaging and inspect for damage.
- Report to your dealer any parts damaged in shipment.
- **Read all the instructions before starting the installation. Follow these instructions carefully during the installation to ensure maximum safety and benefit.**

WARNING



Fire Risk.

Inspect appliance and components for damage. Damaged parts may impair safe operation.

- Do NOT install damaged components.
- Do NOT install incomplete components.
- Do NOT install substitute components.

Report damaged parts to dealer.

F. Install Checklist

ATTENTION INSTALLER:
Follow this Standard Work Checklist

This standard work checklist is to be used by the installer in conjunction with, not instead of, the instructions contained in this installation manual.

Customer: _____
 Date Installed: _____
 Lot / Address: _____
 Location of Appliance: _____
 Installer: _____
 Dealer / Distributor Phone #: _____
 Serial #: _____
 Model: _____

WARNING! Risk of Fire or Explosion! Failure to install appliance according to these instructions can lead to a fire or explosion.

Appliance Install

Verified clearances to combustibles.
 Appliance is leveled and connector is secured to appliance.
 Hearth extension size/height decided.
 Outside air kit installed.
 Floor protection requirements have been met.
 If appliance is connected to a masonry chimney, it should be cleaned and inspected by a professional. If installed to a factory built metal chimney, the chimney must be installed according to the manufacturer's instructions and clearances.

| YES | IF NO, WHY? |
|--------------------------|-------------|
| <input type="checkbox"/> | _____ |
| <input type="checkbox"/> | _____ |
| <input type="checkbox"/> | _____ |
| <input type="checkbox"/> | _____ |
| <input type="checkbox"/> | _____ |

Chimney

Chimney configuration complies with diagrams.
 Chimney installed, locked and secured in place with proper clearance.
 Chimney meets recommended height requirements (14-16 feet).
 Roof flashing installed and sealed.
 Terminations installed and sealed.

| | |
|--------------------------|-------|
| <input type="checkbox"/> | _____ |
| <input type="checkbox"/> | _____ |
| <input type="checkbox"/> | _____ |
| <input type="checkbox"/> | _____ |

Clearances

Combustible materials not installed in non-combustible areas.
 Verified all clearances meet installation manual requirements.
 Mantels and wall projections comply with installation manual requirements.
 Protective hearth strips and hearth extension installed per manual requirements.

| | |
|--------------------------|-------|
| <input type="checkbox"/> | _____ |
| <input type="checkbox"/> | _____ |
| <input type="checkbox"/> | _____ |
| <input type="checkbox"/> | _____ |

Appliance Setup

All packaging and protective materials removed.
 Firebrick, baffle and ceramic blanket installed correctly.
 All labels have been removed from the door.
 All packaging materials are removed from inside/under the appliance.
 Manual bag and all of its contents are removed from inside/under the appliance and given to the party responsible for use and operation.

| | |
|--------------------------|-------|
| <input type="checkbox"/> | _____ |
| <input type="checkbox"/> | _____ |
| <input type="checkbox"/> | _____ |
| <input type="checkbox"/> | _____ |

Hearth & Home Technologies recommends the following:

- Photographing the installation and copying this checklist for your file.
- That this checklist remain visible at all times on the appliance until the installation is complete.

Comments: Further description of the issues, who is responsible (Installer/Builder/Other Trades, etc.) and corrective action needed:
 Comments communicated to party responsible _____ by _____ on _____
 (Builder / Gen. Contractor) (Installer) (Date)

3 Dimensions and Clearances

A. Appliance Dimensions

NOTE: Flue Collar size is 6 inch (152mm) diameter

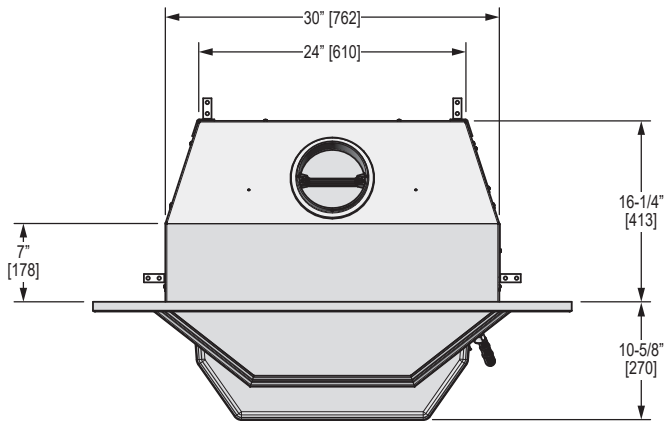


Figure 8.1 - Top View with Steel Surround

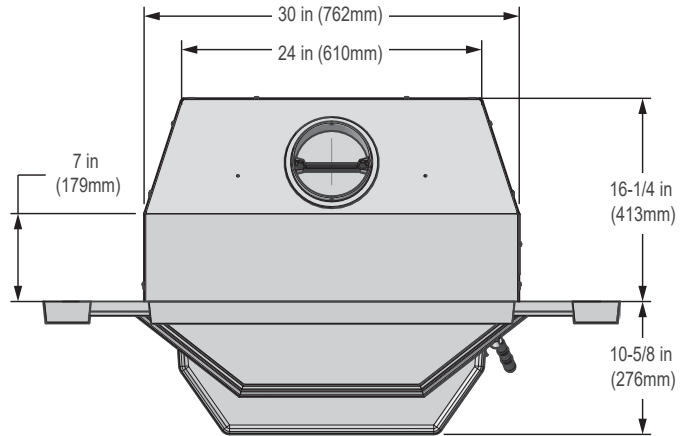


Figure 8.4 - Top View with Cast Trim Steel Surround

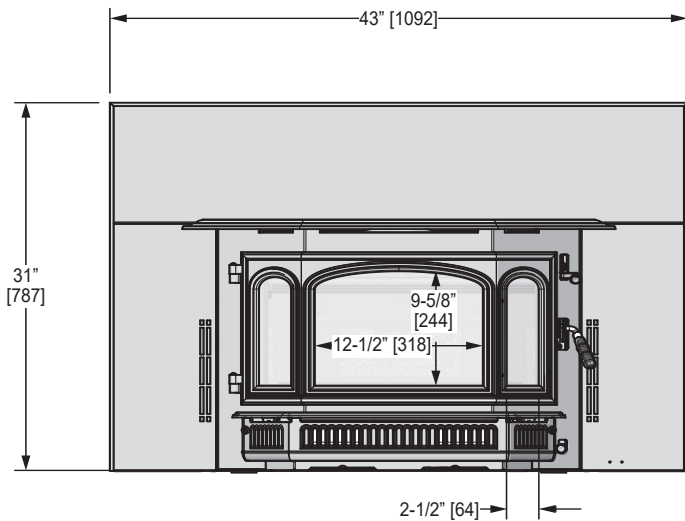


Figure 8.2 - Front View with Small Steel Surround (SP-411ACC-STD AND TRIMKIT-4331)

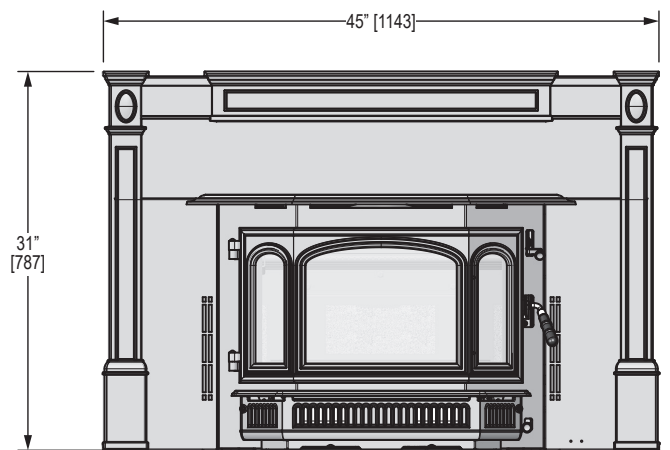


Figure 8.5 - Front View with Small Cast Trim Steel Surround (SP-411-CM-STD and 811-0930)

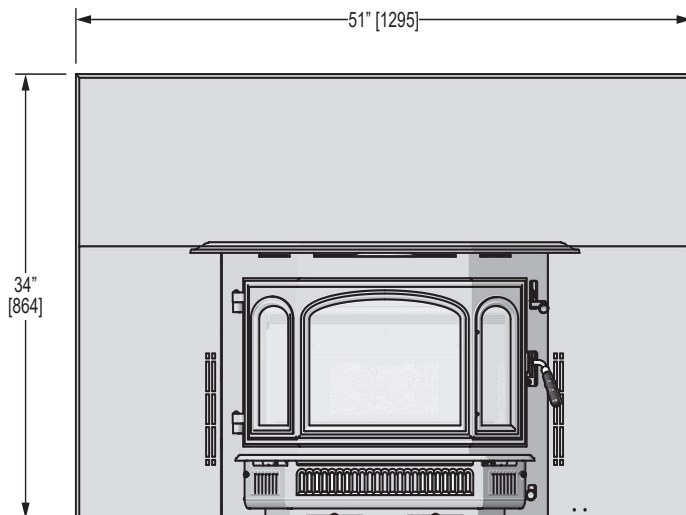


Figure 8.3 - Front View with Large Steel Surround (SP-411ACC-LRG and TRIMKIT-5134)

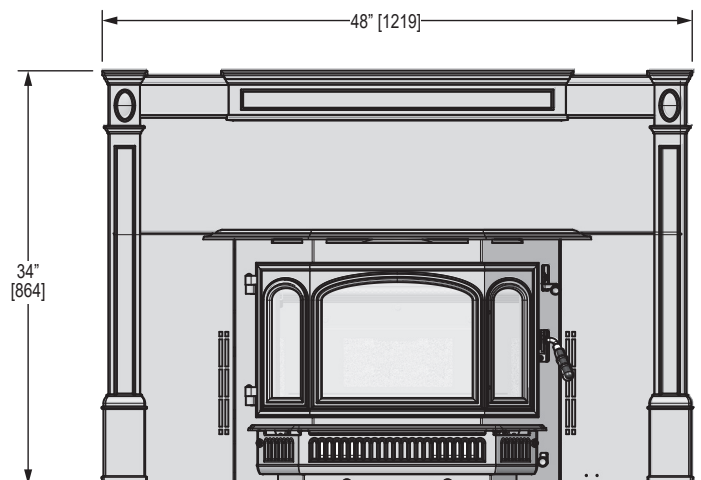


Figure 8.6 - Front View with Large Cast Trim Steel Surround (SP-411-CM-LRG and 811-0930)

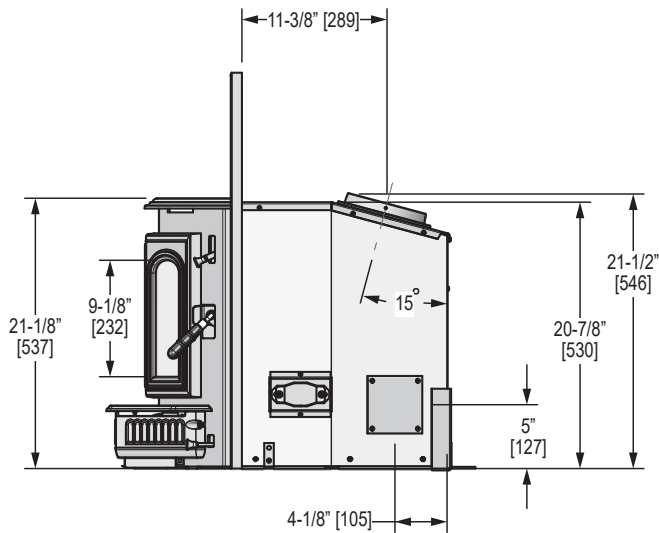


Figure 9.1 - Side View with Steel Surround

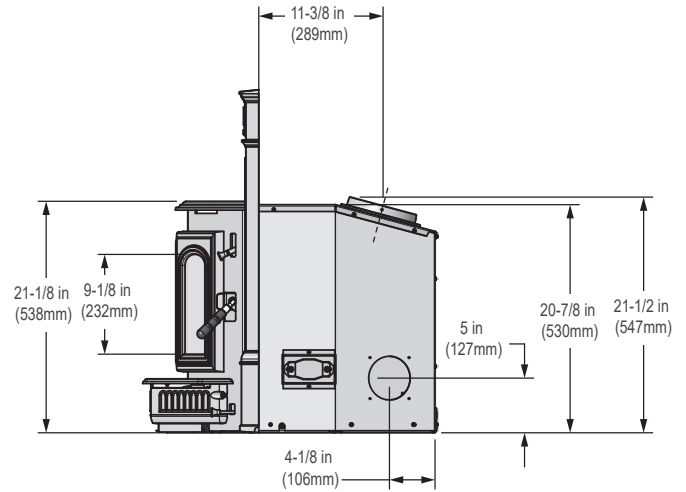


Figure 9.4 - Side View with Cast Trim Steel Surround

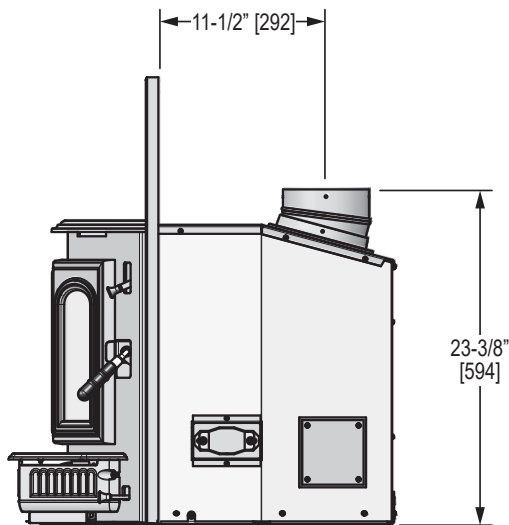


Figure 9.2 - Side View of Steel Surround with Optional 15 Degree Adapter (DV-6DLR-E15ADSS)

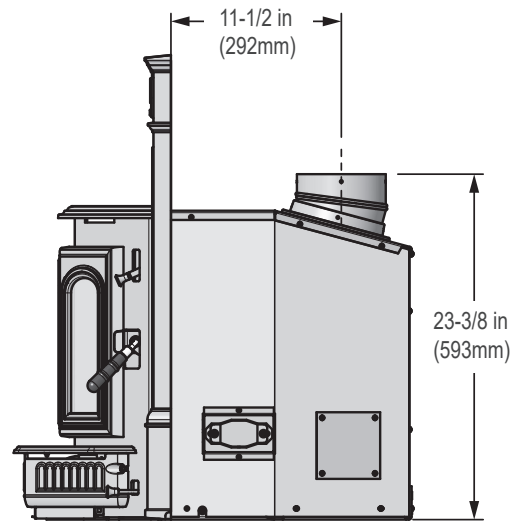


Figure 9.5 - Side View of Cast Trim Steel Surround with Optional 15 Degree Adapter (DV-6DLR-15ADSS)

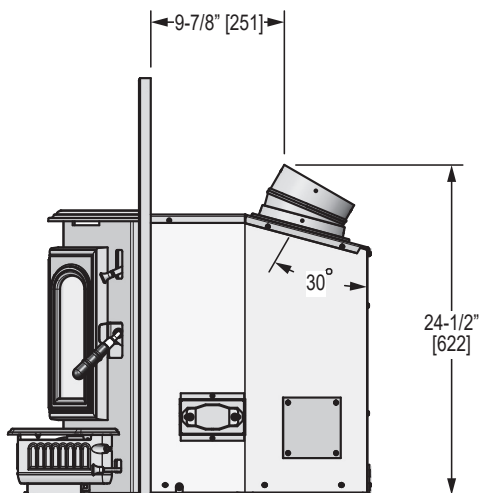


Figure 9.3 - Side View of Steel Surround with Optional 15 Degree Adapter (DV-6DLR-E15ADSS)

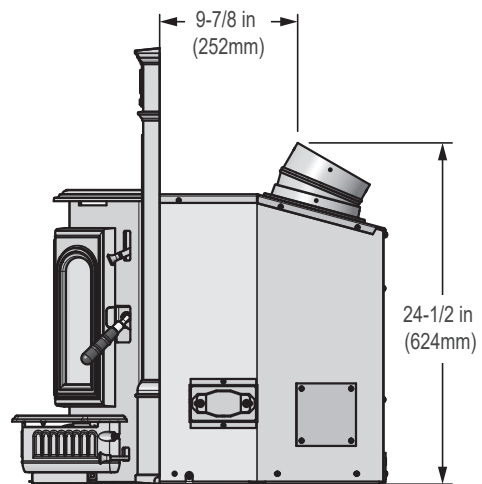
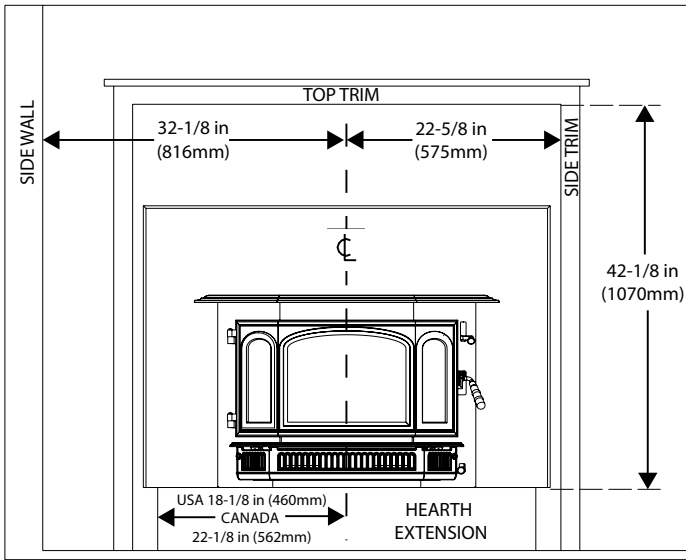


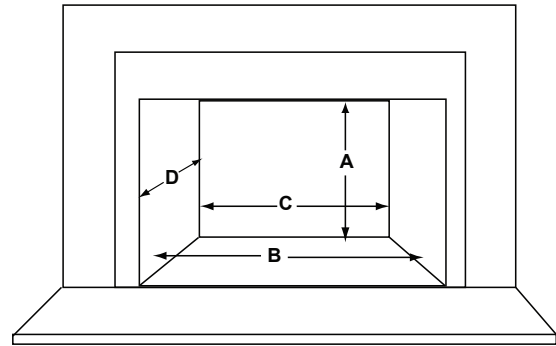
Figure 9.6 - Side View of Cast Trim Steel Surround with Optional 15 Degree Adapter (DV-6DLR-E15ADSS)

B. Clearances to Combustibles

United States and Canada (UL and ULC)

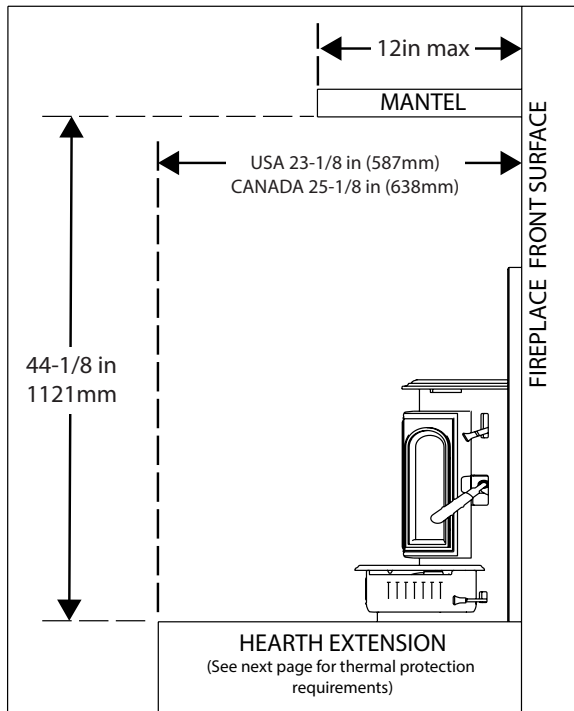


NOTE: If trim measurement is over 3/4 in (19mm) in depth use mantle or side clearance to combustibles.




| Minimum Opening Dimensions | | Inches | Millimeters |
|----------------------------|--|--------|-------------|
| A | Height | 21-3/4 | 552 |
| B | Front Width (Steel Surround) | 30-1/4 | 768 |
| | Front Width (Cast Trim Steel Surround) | 30-1/4 | 768 |
| C | Back Width | 24-1/4 | 616 |
| D | Depth (Steel Surround) | 16-1/2 | 419 |
| | Depth (Cast Trim Steel Surround) | 16-1/2 | 419 |

NOTE: Minimum opening dimensions include a 1/4" (6mm) clearance around unit.




In Canada a full length 6 inch (152mm) S635 flue liner required as per ULC S628.

In USA a minimum 5 ft length (1.82m), 6 inch (152mm) diameter flue liner is required as per UL 1482.



WARNING



Fire Risk.

- Comply with all minimum clearances to combustibles as specified.
- Failure to comply may cause house fire.

NOTE: Clearances may only be reduced by means approved by the regulatory authority having jurisdiction

C. Alternate Floor Protection Calculation

Material

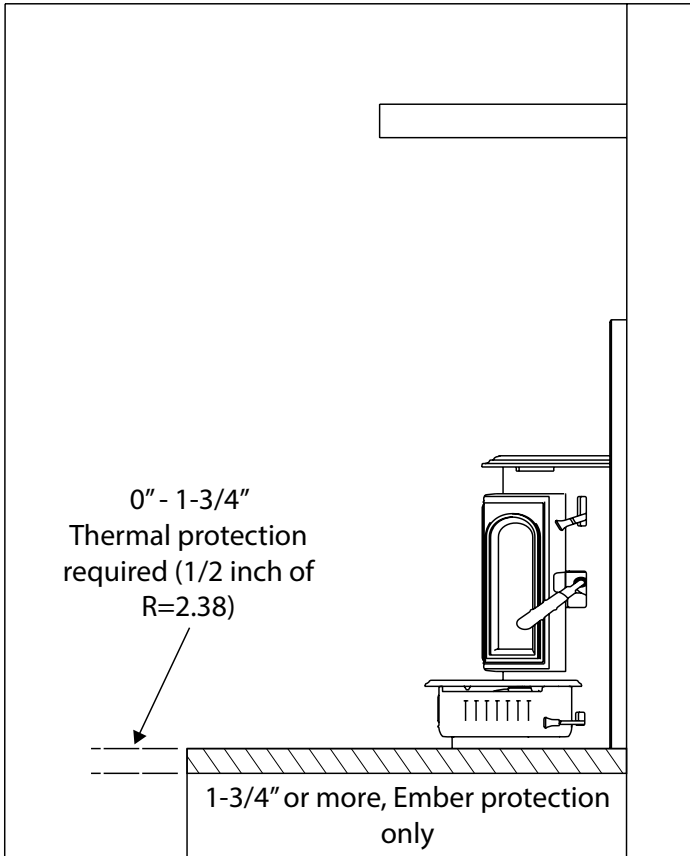
Thermal Resistance: R value

The R value is a measure of a material's resistance to heat transfer.

R value is convenient when more than one material is used since you can add the R values together, whereas you can not do this for k value.

The HIGHER the R factor means less heat is being conducted through the non-combustible material to the combustible material beneath it.

The R value of a material must be equal or larger then the required R value to be acceptable.



| Thermal Protection | USA & CANADA |
|--|---------------------------------|
| Floor height 0" to 1-3/4" (0 to 44mm) below insert base. | R=2.38 |
| Floor height greater than 1-3/4" (44mm) below insert base. | Only ember protection required. |

4 Chimney Systems

A. Locating Your Appliance & Chimney

Location of the appliance and chimney will affect performance. As shown in **Figure 12.1** the chimney should:

- Install through the warm space enclosed by the building envelope. This helps to produce more draft, especially during lighting and die down of the fire.
- Penetrate the highest part of the roof. This minimizes the affects of wind turbulence and down drafts.

- Consider the appliance location in order to avoid floor and ceiling attic joists and rafters.
- Locate termination cap away from trees, adjacent structures, uneven roof lines and other obstructions.

Your local dealer is the expert in your geographic area and can usually make suggestions or discover solutions that will easily correct your flue problem.

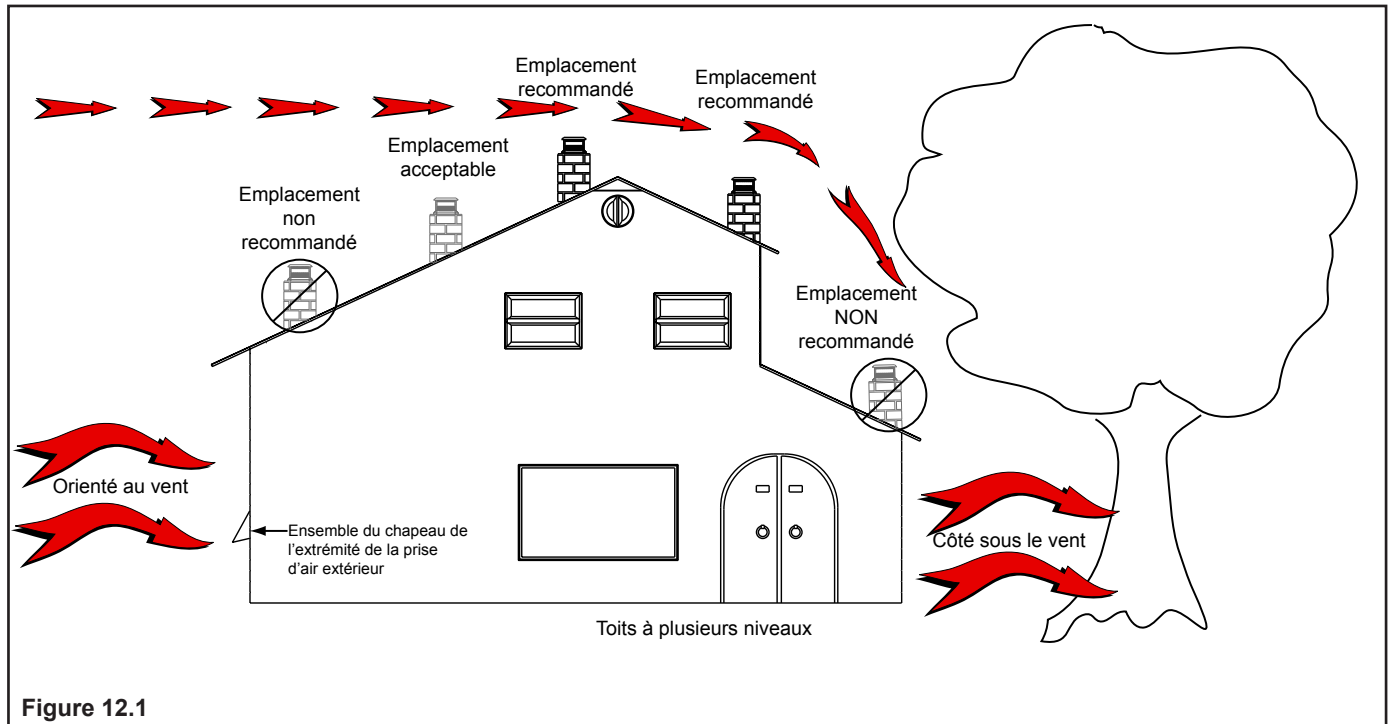


Figure 12.1

B. Chimney Termination Requirements

Follow manufacturer’s instructions for clearance, securing flashing and terminating the chimney (Figure 13.1 & 13.2).

- Must have an approved and Listed cap
- Must not be located where it will become plugged by snow or other material
- Must terminate at least 3 feet (91cm) above the roof **and** at least 2 feet (61cm) above any portion of the roof within 10 feet (305cm).
- Must be located away from trees or other structures

NOTICE:

- Chimney performance may vary.
- Trees, buildings, roof lines and wind conditions affect performance.
- Chimney height may need adjustment if smoking or overdraft occurs.

NOTICE: Locating the appliance in a basement or in a location of considerable air movement can cause intermittent smoke spillage from appliance. Do not locate appliance near:

- Frequently open doors
- Central heat outlets or returns

C. 2-10-3 Rule

These are safety requirements and are not meant to assure proper flue draft.

This appliance is made with a 6 inch (152mm) diameter chimney connector as the flue collar on the appliance.

- Changing the diameter of the chimney can affect draft and cause poor performance.
- It is not recommended to use offsets and elbows at altitudes above 4000 feet above sea level and or when there are other factors that affect flue draft.

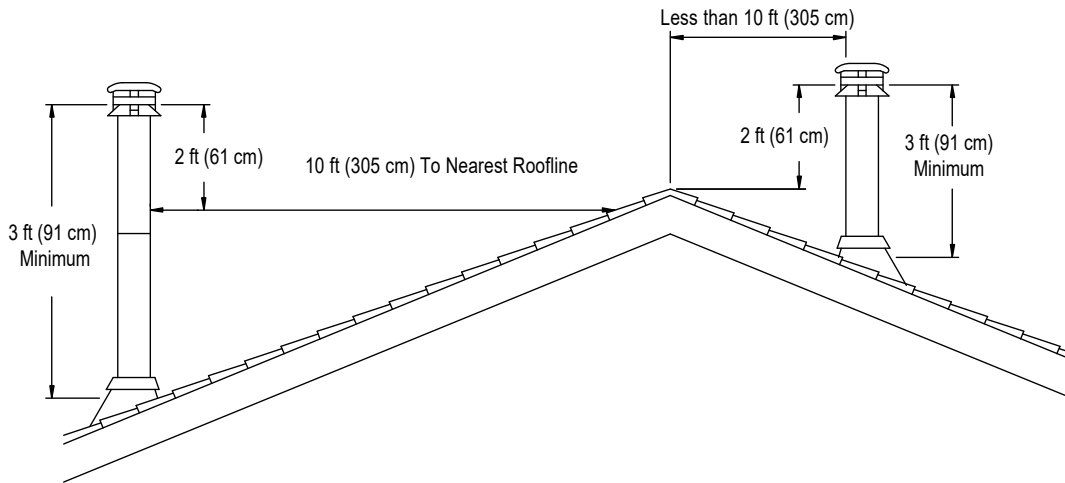


Figure 13.1

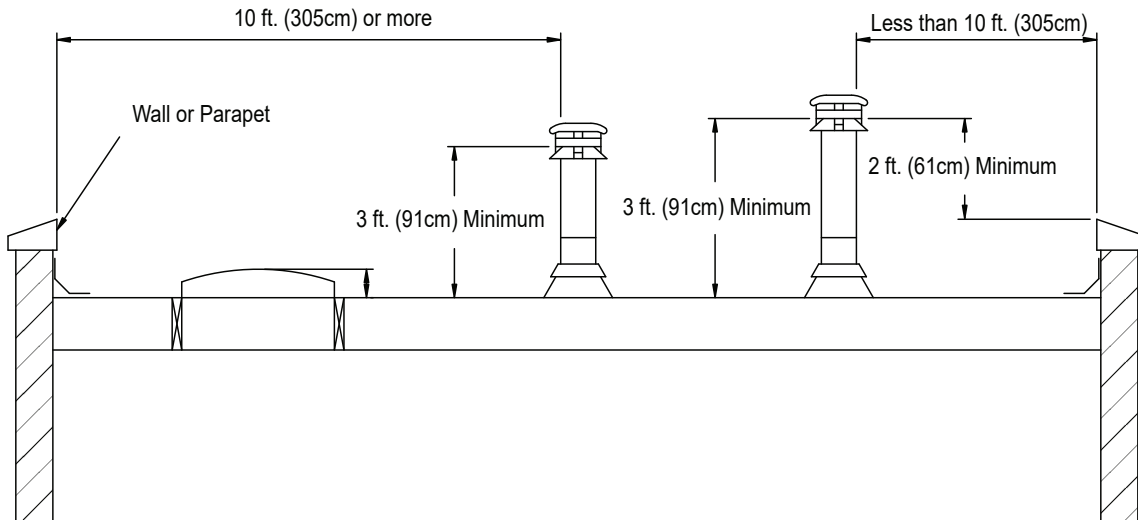


Figure 13.2

D. Venting Systems

Chimney Connector:

It is also known as flue pipe or stove pipe. It must be 6 inches (152mm) minimum diameter stainless steel connector pipe.

Chimney:

The chimney can be new or existing, masonry or prefabricated and must meet the following minimum requirements as specified below.

WARNING

Fire Risk.
Follow venting manufacturer's clearances and instructions when installing venting system

E. Inspections

Existing chimneys should be inspected and cleaned by a qualified professional prior to installation. The chimney must not have cracks, loose mortar or other signs of deterioration and blockage. Hearth & Home recommends a NFI or CSIA certified professional or a technician, under the direction of a certified professional, conduct a Level II inspection per **NFPA 211**.

WARNING

Fire Risk.
Inspection of Chimney:

- Chimney must be in good condition.
- Meets minimum standard of **NFPA 211**
- Factory-built chimney must be 6 inch (152mm) **UL103 HT**.

F. Chimney Height / Rise and Run

This product was designed for and tested on a 6 inch (152mm) chimney, 14 to 16 feet (420-480cm) high, (includes appliance height) measured from the base of the appliance. The further your stack height or diameter varies from this configuration, the greater the likelihood it may affect performance.

Chimney height may need to be increased by 2 - 3% per each 1000 feet above sea level. It is not recommended to use offsets or elbows at altitudes above 4000 feet above sea level or when there are other factors that affect flue draft.

WARNING

Asphyxiation Risk.

- **DO NOT CONNECT THIS Appliance TO A CHIMNEY FLUE SERVICING ANOTHER APPLIANCE.**
- **DO NOT CONNECT TO ANY AIR DISTRIBUTION DUCT OR SYSTEM.**

May allow flue gases to enter the house.

WARNING

Improper installation, adjustment, alteration, service or maintenance can cause injury or property damage. Refer to the owner's information manual provided with this appliance. For assistance or additional information consult a qualified installer, service agency or your dealer.

G. Securing Chimney Components

All joints should be secured with 3 sheet metal screws or rivets per pipe manufacturers instructions. The sections must be attached to the insert and to each other with the crimped (male) end pointing toward the insert (**Figure 14.1**).

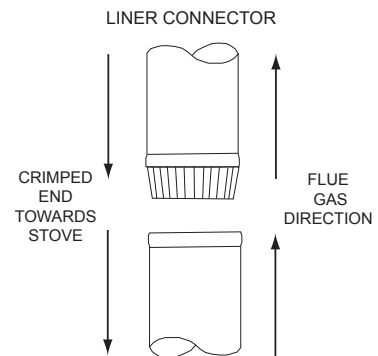


Figure 14.1

WARNING

Fire Risk.
Follow venting manufacturer's clearances and instructions when installing venting system.

H. Larger Chimneys

It is recommended that chimneys with larger diameters than 6 inches (152mm) be relined. An oversized flue can affect draft and impair performance and will allow increased build-up of creosote.

NOTICE: Check with your local building authorities and/or consult the **National Fire Protection Association (NFPA 211)**.

I. Masonry Chimney

This insert conforms with the **UL 1482 and ULC S628 (Canada)** in all respects, and is approved to **UL & ULC safety standards** for installation and use within a fireplace with a masonry chimney in accordance with **NFPA 211 and CAN/CSA-B365-01**.

- Must meet minimum standards of **NFPA 211**.
- Must have at least 5/8 inch (16mm) fire clay lining joined with refractory cement. (Installations into a clay flue without a stainless steel liner may reduce draw which affects performance, will cause the glass to darken and produce excessive creosote).
- The masonry wall of the chimney, if brick or modular block, must be a minimum of 4 inches (102mm) nominal thickness.
- A chimney of rubble stone must be at least 12 inches (305mm) thick.
- Cross-sectional area shall conform to **NFPA 211-2006 Section 12.4.5.1**.
- Should be lined with a 6 inch (152mm) stainless steel flue liner to improve performance and reduce creosote build-up.

- An equivalent liner must be a listed chimney liner system or other approved material.
- No dilution air is allowed to enter the chimney.
 - a. Secure the fireplace damper in the open position. If this cannot be accomplished, it will be necessary to remove the damper.
 - b. Seal damper area of chimney around chimney connector with a high temperature sealant or seal insert against the face of the fireplace.
 - c. Both methods must be removable and replaceable for cleaning and re-installation.
- When possible, install an airtight clean-out door to the rear of the smoke shelf.

NOTE: In Canada, this fireplace insert must be installed with a continuous chimney liner of a 6 inch (152mm) diameter extending from the fireplace insert to the top of the chimney. The chimney liner must conform to the Class 3 requirements of **CAN/ULC-S635**, Standard for Lining Systems for Existing Masonry or Factory-Built Chimneys and Vents, or **CAN/ULC-S640**, Standard for Lining Systems for New Masonry Chimneys.

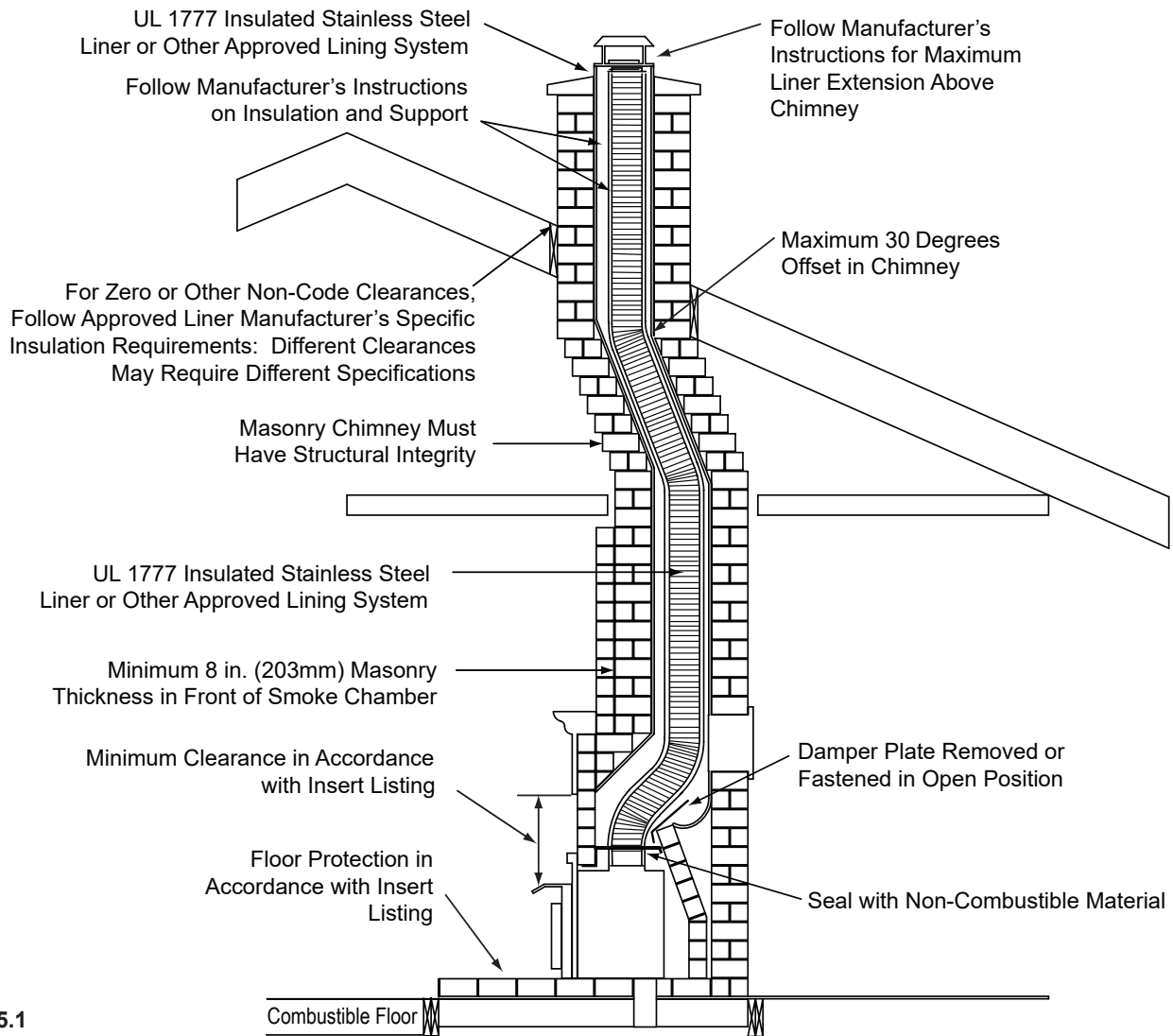


Figure 15.1

Generic Insert Model Shown in Illustration

J. Metal Heat Circulating Masonry

This insert conforms with the safety standard **UL-1482 and ULC S628** (Canada) in all respects and is approved to **UL and ULC** safety standards for installation and use within a fireplace with masonry chimney, in accordance with **NFPA 211**, with a direct flue collar connection.

K. Prefabricated Metal Chimney

The chimney can be new or existing, masonry or prefabricated and must meet the following minimum requirements:


- Must be minimum 6 inch (152mm) inside diameter of high temperature chimney listed to **UL 103 HT (2100°F)** or **ULC S628**.
- Must use components required by the manufacturer for installation.
- Must maintain clearances required by the manufacturer for installation.
- Refer to manufacturers instructions for installation
- This insert is listed to **UL 1482 Standard** and is approved for installation into listed factory-built zero clearance fireplaces listed to **UL 127** conforming to the following specifications and instructions:
- The original factory-built clearance fireplace chimney cap must be re-installed after installing the approved chimney liner meeting type **UL 103 HT** requirements (2100°F) per **UL 1777**.
- If the chimney is not listed as meeting HT requirements, or if the factory built fireplace was tested prior to 1998, a full height listed chimney liner must be installed from the appliance flue collar to the chimney top.
- The liner must be securely attached to the insert flue collar and the chimney top.
- The air flow of the factory-built zero-clearance fireplace system must not be altered. The flue liner top support attachment must not reduce the air flow for the existing air-cooled chimney system.

- No dilution air is allowed to enter the chimney.
 - a. Secure the fireplace damper in the open position. If this cannot be accomplished, it will be necessary to remove the damper
 - b. Seal damper area of chimney around chimney connector with a high temperature sealant or seal insert against the face of the fireplace.
 - c. Both methods must be removable and replaceable for cleaning and re-installation.

| Minimum Opening Dimensions | | Inches | Millimeters |
|----------------------------|-------------|--------|-------------|
| A | Height | 30-1/2 | 775 |
| B | Front Width | 24-1/2 | 622 |
| C | Back Width | 22 | 559 |
| D | Depth | 16-3/4 | 425 |

NOTE: Refer to chimney liner manufacturer for recommendations on supporting the liner. Installation into fireplaces without a permit will void the listing.

NOTICE: In Canada when using a factory-built chimney it must be safety listed, **Type UL103 HT (2100oF) [1149oC] CLASS "A"** or conforming to **CAN/ULC-S629M, STANDARD FOR 650oC FACTORY-BUILT CHIMNEYS**.



WARNING

Fire Risk.
When lining air-cooled factory-built chimneys:

- Run chimney liner approved to **UL 1777 Type HT requirements (2100 degrees F)**
- Re-install original factory built chimney cap **ONLY**
- **DO NOT** block cooling air openings in chimney
- Blocking cooling air will overheat the chimney

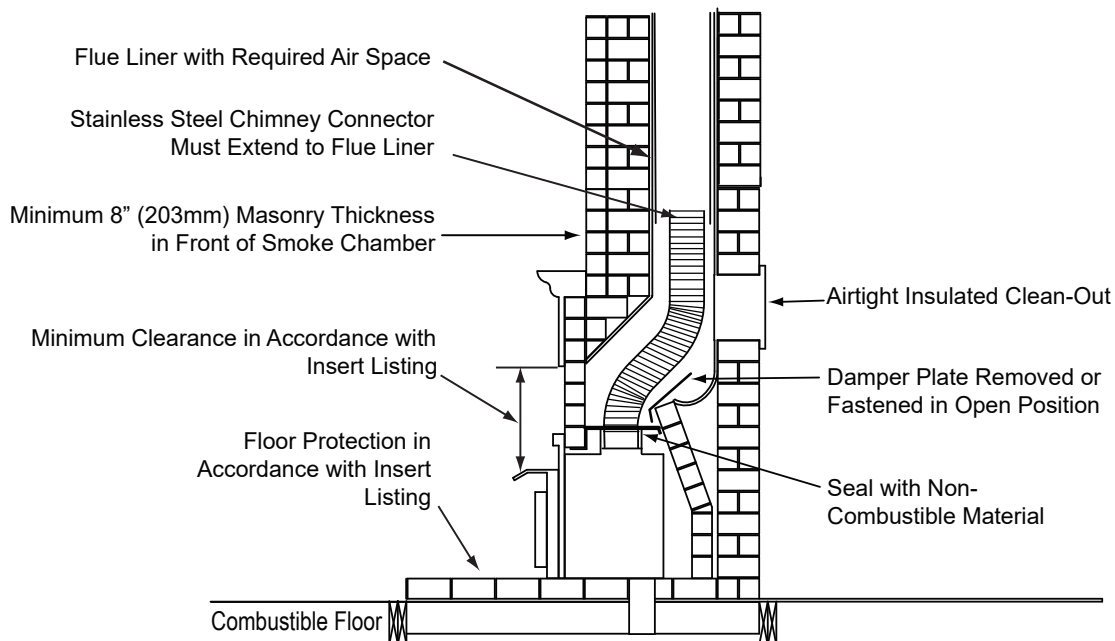


Figure 16 .1

Generic Insert Model Shown in Illustration

L. Ovalizing Round Stainless Steel Liners

Ovalizing round stainless steel liners to accommodate the liner passing through the damper region of a fireplace is an allowable and acceptable practice.

Ensure that the ovalization is minimized to the extent required to fit through the damper.

M. Altering The Fireplace

The following modifications of factory-built fireplaces are permissible:

| <i>The following parts may be removed:</i> | |
|--|-----------------------|
| Damper | Smoke Shelf or Baffle |
| Ember Catches | Fire Grate |
| Viewing Screen/Curtain | Doors |

- The fireplace must not be altered. Cutting any sheet metal parts of the fireplace in which the fireplace insert is to be installed is prohibited per **ANSI Z21.88** except that the damper may be removed to accommodate a direct-connect starter pipe or chimney liner,
- External trim pieces which do not affect the operation of the fireplace may be removed providing they can be stored on or within the fireplace for reassembly if the insert is removed.
- The permanent metal warning label provided in the component pack must be attached to the back of the fireplace, with screws or nails, stating that the fireplace may have been altered to accommodate the insert, and must be returned to original condition for use as a conventional fireplace (**Figure 15.2**).
- If the hearth extension is lower than the fireplace opening, the portion of the insert extending onto the hearth must be supported.
- Manufacturer designed adjustable support kit can be ordered from your dealer.
- Final approval of this installation type is contingent upon the authority having jurisdiction.



Figure 17.1

N. Zero-Clearance Fireplace

A permit may be required for installations, final approval is contingent of the authority having local jurisdiction. Consult insurance carrier, local building, fire officials or authorities having jurisdiction about restrictions, installation inspection, and permits.

Inspect the existing fireplace and chimney for any damage or flaws such as burnouts, metal or refractory warping.

Inspection to a minimum of **NFPA 211** Level II is recommended. All repairs must be made prior to installing an insert. The fireplace must be structurally sound and be able to support the weight of the solid-fuel insert

The factory-built chimney must be listed per **UL 127** or **ULC 610-M87** for all installations. Install thermal protection per this appliance listing requirements.

A full height 6 inch diameter stainless steel full height listed chimney liner must be installed meeting type HT (2100°F) requirements per **UL 1777 (USA)** or **ULC S635** with "0" clearance to masonry (Canada). The full liner must be attached to the insert flue collar and to the top of the existing chimney.

The flue liner top support attachment must not reduce the air flow for the existing air-cooled chimney system. Re-install original factory-built chimney cap only; see section on **Prefabricated Metal Chimney** on page 15.

To prevent room air passage to the chimney cavity of the fireplace, seal either the damper area around the chimney liner or the insert surround. Circulating air chamber (i.e. in a steel fireplace liner or metal hearth circulatory) may not be blocked. The air flow within and around the fireplace shall not be altered, blocked by the installation of the insert. (i.e. no louvers or cooling air inlet or outlet ports may be blocked by the insert or the insert surround.

See **Altering the Fireplace** on page 16 for modifications allowed for factory-built fireplaces.



5 Appliance Set-Up

A. Outside Air Kit Installation

A source of air (oxygen) is necessary in order for combustion to take place. Whatever combustion air is consumed by the fire must be replaced. Air is replaced via air leakage around windows and under doors. In homes that have tightly sealed doors and windows, an outside air source is needed. An optional Outside Air Kit is available.

Items Needed for Installation (not supplied)

- 4 inch flex aluminum pipe, or if using alternate material, then it shall be made from durable, non-combustible, heat resistant material up to 350oF. Cut the pipe to the required length for your installation.
- Phillips head screw driver
- 5/32 Allen Wrench
- Silicone sealant

The outside air cover plate comes packaged with the component pack of your appliance. It is necessary to remove the blower housing and block off the room air with the outside air cover.

Option One - Installation Instructions

1. Remove the **outside air cover plate** from the outer can of the appliance and discard (**Figures 18.1**).
2. Install flex adapter to outer can.

NOTE: Do not use plastic wire ties that come with the kit as they will melt. You may need to install the flex pipe into the firebox first depending on installation. Attach flex to adapter with at least 2 screws.

3. Ensure existing access hole in fireplace is sufficient to feed the 4 inch flex.
4. After sliding can into fireplace, feed flex into cut opening to obtain outside combustion air.
5. Level outer can and install appliance.
6. Remove 4 bolts from both sides of the blower housing and remove the housing.
7. Remove 2 Phillips head screws from housing and save.
8. See instructions that come with your blower kit to attach rectangular outside air cover (**Figure 18.1**).

Option Two - Installation Instructions

1. Remove the **outside air cover plate** from the outer can of the appliance and discard (**Figures 18.1**).

NOTE: Ensure existing access hole in fireplace with not be covered by the outer can. Existing outside air intake hole may be under at the rear of side of outer can. Outside air may also enter down existing chimney.

2. Level outer can and install appliance.
3. Remove 4 bolts from both sides of the blower housing and remove the housing.
4. Remove 2 Phillips head screws from housing and save.
5. After installing the appliance in the outer can, seal the appliance opening and trim package with insulation to prevent air leakage into the room.

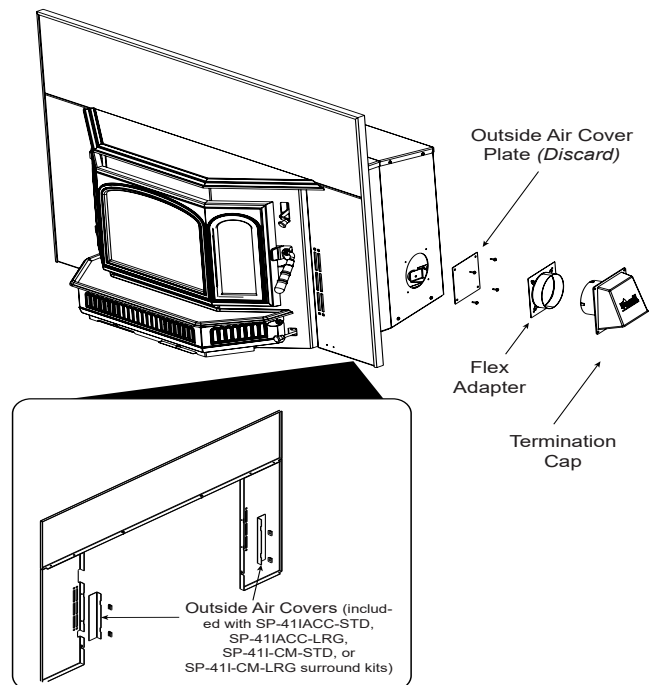


Figure 18.1

! WARNING



Fire Risk.

Asphyxiation Risk.

Do not draw outside combustion air from:

- Wall, floor or ceiling cavity
- Enclosed space such as an attic or garage
- Close proximity to exhaust vents or chimneys



Fumes or odor may result

! WARNING



Asphyxiation Risk.

Outside air inlet must be located to prevent blockage from:

- Leaves
- Snow or ice
- Other debris

Block may cause combustion air starvation. Smoke spillage may set off alarms or irritate sensitive individuals.

! WARNING



Asphyxiation Risk.

Length of outside air supply duct shall NOT exceed the length of the vertical height of the exhaust flue.

- Fire will not burn properly
- Smoke spillage occurs when door is opened due to air starvation.

B. Securing Stove Pipe/Liner to Flue Collar

1. There are 4 already drilled holes in the flue collar 90 degrees apart. Attach the flue collar to the stove pipe/liner. If the seal is questionable use high temperature sealant such as stove mastic (**Figure 19.1**).
2. Attach gasket to bottom side of flue collar with a thin coat of silicone.

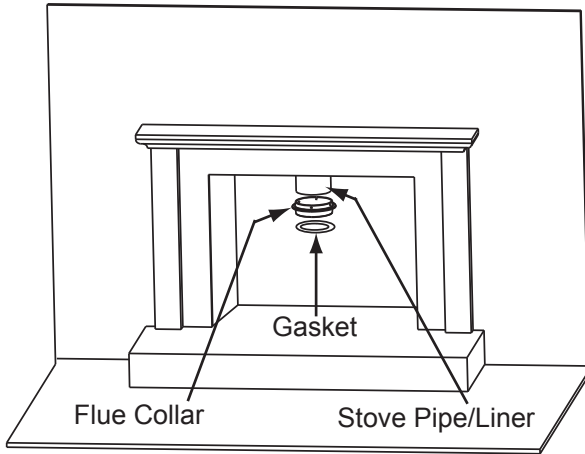


Figure 19.1

C. Leveling Legs

1. Remove the 2 screws already installed on each leg.
2. Move legs to the desired height.
3. Re-install the screws to secure in place.

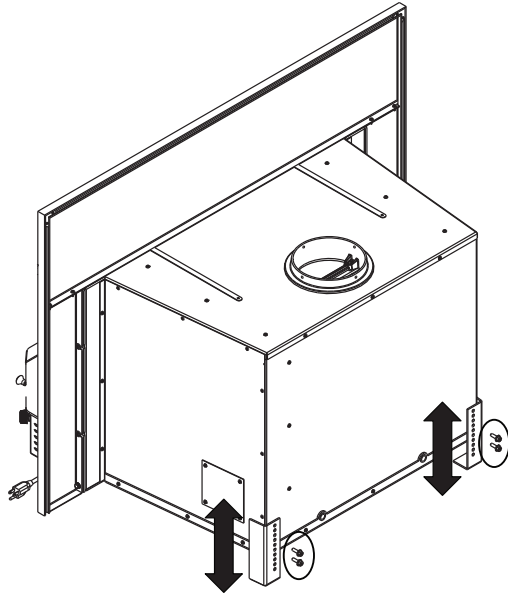


Figure 19.2

D. Securing Appliance to Stove Pipe/Liner

1. Once you have the appliance in place and secured, reach up through the flue opening and grab the attachment bar and pull down inside flue opening (**Figure 19.3**).
2. Insert the 5/16 bolts inside the cast flue and through the chimney mounting bar. Securely tighten the nuts. Fasteners are provided.
3. Re-install the tube channel assembly, baffle board, ceramic blanket and baffle protection channel.

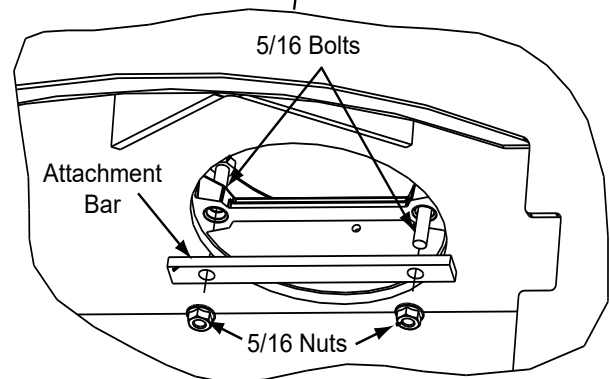
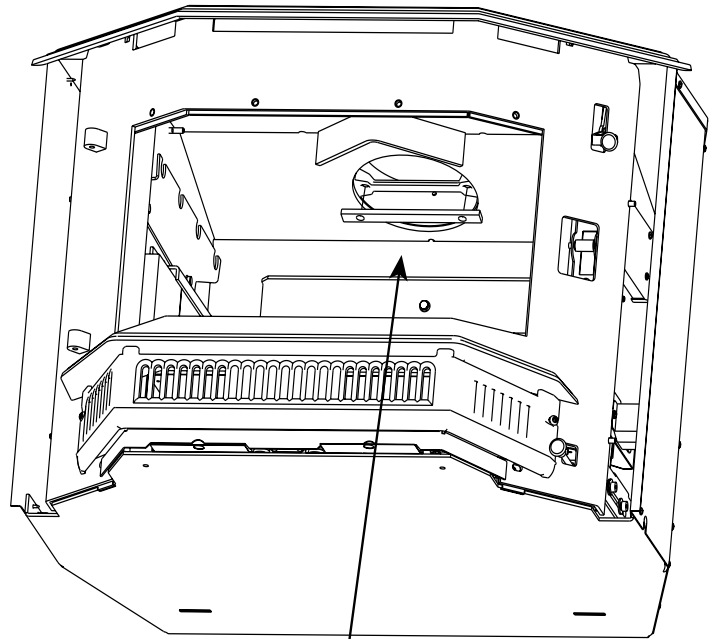


Figure 19.3

E. Surround & Trim Kit Installation

1. Lay surround face down on a protected surface to prevent scratching.
2. Using a Phillips head screw driver attach the side surrounds to the top surround using 2 #8 sheet metal screws provided with the kit (**Figure 20.1**).
3. Lay the trim face down and place the corner brackets into position.
4. Using a standard flat screw driver tighten the corner brackets (**Figure 20.2**).
5. Slide the trim over the surround set.
6. Install the surround set and trim set to the outer can. Place the hook in the surround sides over the surround attachment screws, 2 on each side (**Figure 20.3**).
7. Place top on top of appliance.

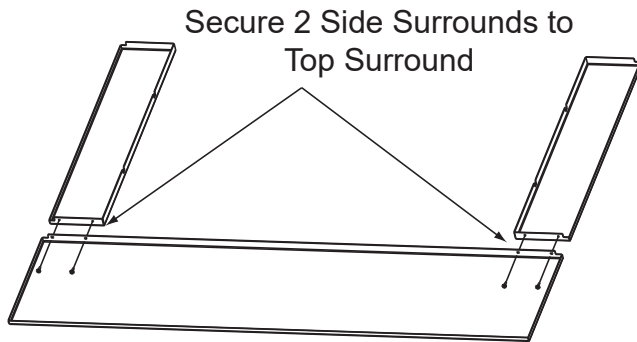


Figure 20.1

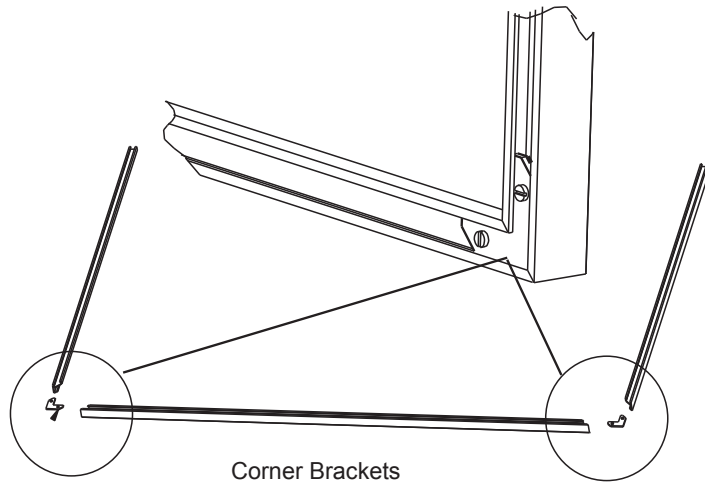


Figure 20.2

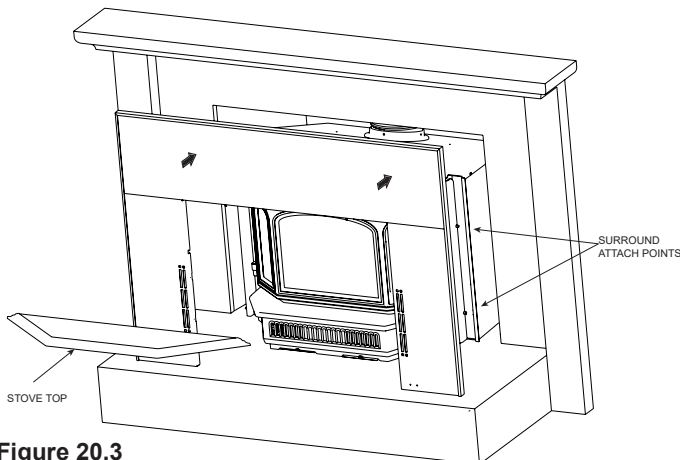


Figure 20.3

F. Blower Cord Installation on Left Side

The blower cord is shipped on the right side of the appliance. You may relocate the cord so it is on the left side.

Relocating Blower Cord to Left Side

1. Remove the convection blower housing from the appliance by removing two 5/32 allen head bolts.
2. Remove Blower assembly from appliance by removing two 8/32 phillips head screws located under ashlip (**Figure 20.4**).
3. Using phillips head screw driver, remove snap disc bracket and cord restraint bracket from right side (**Figure 20.5**).
4. Re-install snap disc bracket and cord restraint bracket to left side of blower housing (**Figure 20.5**).
5. Re-install blower housing and blower assembly in reverse order.

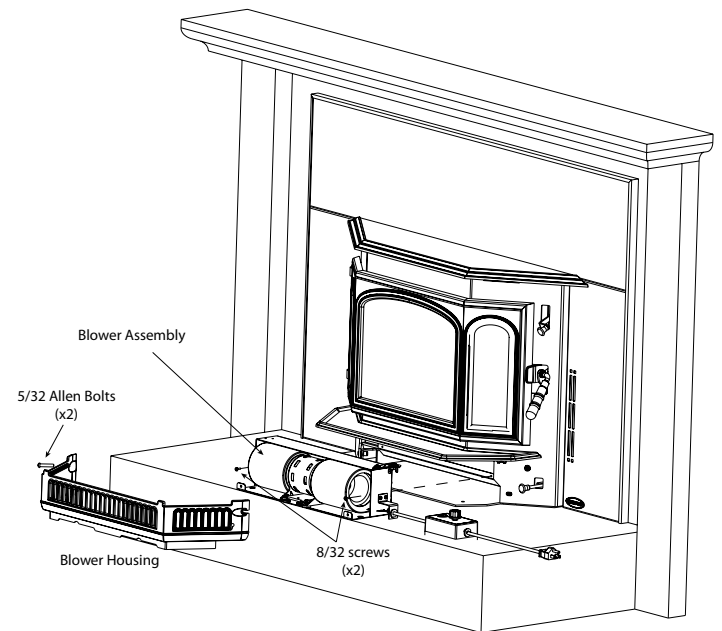


Figure 20.4

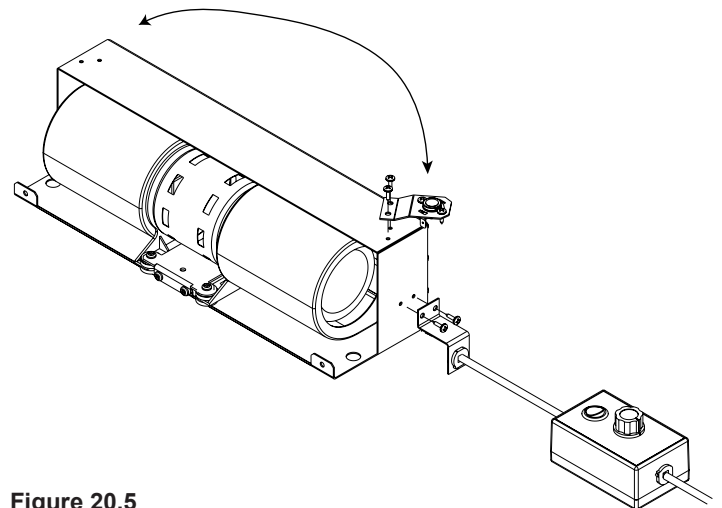


Figure 20.5

G. Zero Clearance Adjustable Trim Support 2" - 10"

Part No. 841-0990, size 9" x 45" and

Part No. ADJSPT-12, size 12" x 50"

Included in Kit: (1) Trim Top, (1) Trim Front, (2) Trim Sides, Double-Sided Tape (already installed)

Tools Needed: Phillips Head Screwdriver, Sheet Metal Shears, Measuring Tape, Gloves

1. The 10 screws on each set of scissors will already be loose when shipped (**Figure 21.1**).
2. Expand scissors to desired height. Tighten screws to hold in place using Phillips Head screwdriver (**Figure 21.2**).
3. Measure front and side trims to required height to cover scissors and mark pieces for cutting. Cut excess material from top of trims edge, not bottom. This edge will be sharp; wear gloves to prevent injury to your hands (**Figure 21.2**).
4. Using sheet metal shears, cut trim along the marked edge. The cut edge fits under lip of top trim, so it allows for some variance in your straight edge.
5. The double-sided tape that holds front and side trims to scissors has a particularly powerful bonding adhesive. Adjustments are extremely difficult once trim has adhered to tape. Do a dry run first without removing paper from tape.
6. Place cut edge of trim under top lip and into position on scissors. Place side pieces on first and then front piece. The front piece overlaps side pieces.

NOTE: The trim in the Flush Mount Kit is one piece.

7. Once you are satisfied with the positioning, remove trim and set aside.
8. Remove the paper from double-sided tape that is to accept trim side. Align side and then press hard against tape to secure side piece. Repeat for other side. Install front trim piece last.
9. There are 3 holes in the back flange of the top to secure it to the wall if necessary. Use the appropriate fastener for the type of wall material, i.e., brick, sheet rock, etc.

NOTE: 3/8" (9.5mm) thick tile or like material can be cut to size and fit under lip of top trim edge for a decorative touch (**Figure 21.3**).

10. Thermal protection of 1-1/2 inches (38mm), "k" value of 0.49 and R value of 3.06 under the zero-clearance trim support (**Figure 21.4**).

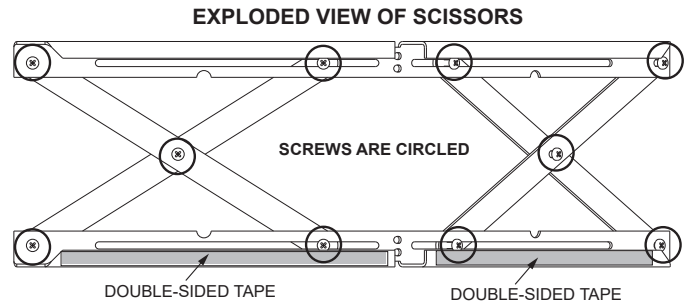


Figure 21.1

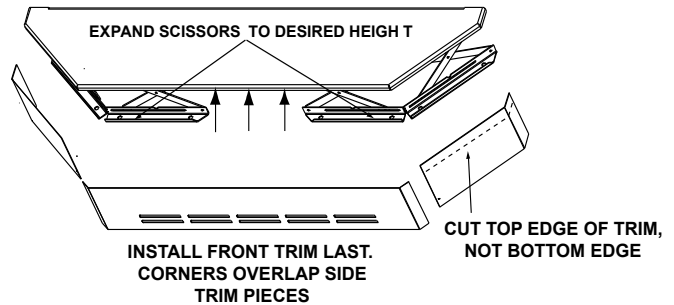


Figure 21.2

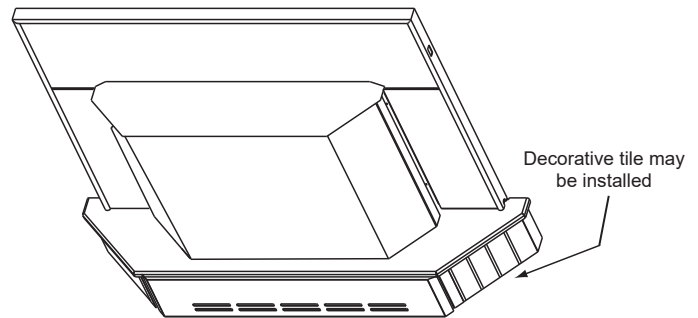


Figure 21.3

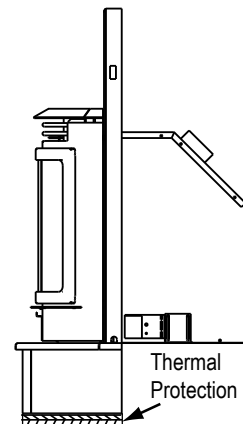


Figure 21.4

6 Mobile Home Installation

You must use a Quadra-Fire Outside Air Kit Part #:
OAK-ACC

1. An outside air inlet must be provided for combustion and must remain clear of leaves, debris, ice and/or snow. It must be unrestricted while unit is in use to prevent room air starvation which can cause smoke spillage and an inability to maintain a fire. Smoke spillage can also set off smoke alarms.
2. Unit must be secured to the mobile home structure at two attachment points. Remove bolts from each side of insert and use plumbers tape to secure to structure (a washer may be required). Re-install bolts.
3. Unit must be grounded with #8 solid copper grounding wire or equivalent and terminated at each end with N.E.C. approved grounding device.
4. The factory-built fireplace must meet **(UM)84-HUD** requirements for outside combustion air supply to the fireplace fire chamber and the chimney must be listed to **UL103 HT** or a **listed UL-1777** full length six inch (152mm) diameter liner must be used. It must be equipped with a spark arrestor cap and the outside air must be installed on the insert.
5. Refer to **pages 9-10** of this manual for clearance to combustibles and floor protections requirements. All clearances must be followed precisely.
6. Use silicone to create an effective vapor barrier at the location where the chimney or other component penetrates to the exterior of the structure.
7. Follow the chimney and chimney connector manufacturer's instructions when installing the flue system for use in a mobile home.
8. Burn wood only. Other types of fuels may generate poisonous gases (e.g., carbon monoxide).
9. If unit burns poorly while an exhaust blower is on in home, (i.e., range hood), increase combustion air.
10. Installation shall be in accordance with the **Manufacturers Home & Safety Standard (HUD) CFR 3280, Part 24.**

NOTICE: Offsets from the vertical, not exceeding 45°, are allowed per **Section 905(a) of the Uniform Mechanical Code (UMC)**. Offsets greater than 45° are considered horizontal and are also allowed, providing the horizontal run does not exceed 75% of the vertical height of the vent. Construction, clearance and termination must be in compliance with the **UMC Table 9C**. This installation must also comply with **NFPA 211**.

NOTICE: Top sections of chimney must be removable to allow maximum clearance of 13.5 feet (411cm) from ground level for transportation purposes.

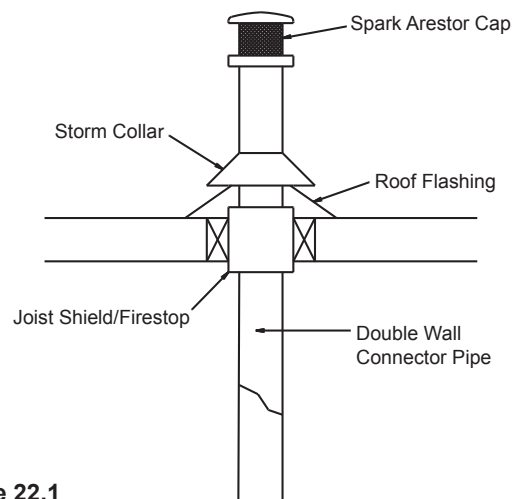


Figure 22.1

WARNING



Fire Risk.

Asphyxiation Risk.

Do not draw outside combustion air from:

- Wall, floor or ceiling cavity
- Enclosed space such as an attic or garage
- Close proximity to exhaust vents or chimneys



Fumes or odor may result

CAUTION

THE STRUCTURAL INTEGRITY OF THE MOBILE HOME FLOOR, WALL AND CEILING/ROOF MUST BE MAINTAINED

Do NOT cut through:

- Floor joist, wall, studs or ceiling trusses.
- Any supporting material that would affect the structural integrity.

WARNING



Asphyxiation Risk.

NEVER INSTALL IN A SLEEPING ROOM.

Consumes oxygen in the room.

B. Accessory List

QUADRA-FIRE®

NOTHING BURNS LIKE A QUAD

CONTACT INFORMATION

Hearth & Home Technologies
352 Mountain House Road
Halifax, PA 17032
Division of HNI INDUSTRIES

Please contact your Quadra-Fire dealer with any questions or concerns.
For the number of your nearest Quadra-Fire dealer
log onto www.quadrafire.com



CAUTION



DO NOT DISCARD THIS MANUAL

- Important operating and maintenance instructions included.
- Read, understand and follow these instructions for safe installation and operation.
- Leave this manual with party responsible for use and operation of this appliance.



We recommend that you record the following pertinent information for your heating appliance.

Date purchased/installed: _____

Serial Number: _____

Location on appliance: _____

Dealership purchased from: _____

Dealer Phone: 1() - _____

Notes:

This product may be covered by one or more of the following patents: (United States) 5341794, 5263471, 6688302, 7216645, 7047962 or other U.S. and foreign patents pending.


HEARTH & HOME
technologies™