

This appliance has been retired.  
For replacement parts, please refer to the individual  
service parts list located on the brand websites.

# Installation Manual

## Installation and Appliance Setup

**INSTALLER:** Leave this manual with party responsible for use and operation.  
**OWNER:** Retain this manual for future reference.

**NOTICE: DO NOT discard this manual!**

### MERIDIAN PLATINUM SERIES

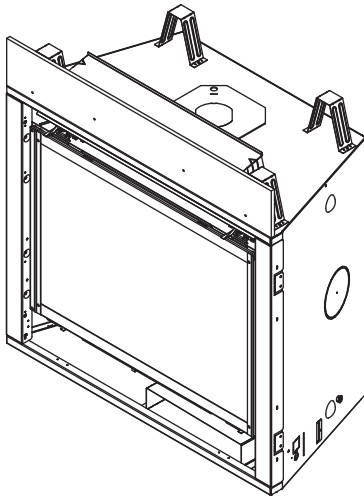


GAS-FIRED



Models:

MERIDPLA36IN  
MERIDPLA36IL  
MERIDPLA42IN  
MERIDPLA42IL



This appliance may be installed as an OEM installation in manufactured home (USA only) or mobile home and must be installed in accordance with the manufacturer's instructions and the *Manufactured Home Construction and Safety Standard, Title 24 CFR, Part 3280* in the United States, or the *Standard for Installation in Mobile Homes, CAN/CSA Z240 MH Series*, in Canada.

This appliance is only for use with the type(s) of gas indicated on the rating plate. This appliance is not convertible for use with other gases, unless a certified kit is used.

In the Commonwealth of Massachusetts installation must be performed by a licensed plumber or gas fitter.

See Table of Contents for location of additional Commonwealth of Massachusetts requirements.

### ⚠ WARNING:

#### FIRE OR EXPLOSION HAZARD

Failure to follow safety warnings exactly could result in serious injury, death, or property damage.

- **DO NOT** store or use gasoline or other flammable vapors and liquids in the vicinity of this or any other appliance.
- **What to do if you smell gas**
  - **DO NOT** try to light any appliance.
  - **DO NOT** touch any electrical switch. **DO NOT** use any phone in your building.
  - Leave the building immediately.
  - Immediately call your gas supplier from a neighbor's phone. Follow the gas supplier's instructions.
  - If you cannot reach your gas supplier, call the fire department.
- Installation and service must be performed by a qualified installer, service agency, or the gas supplier.

# ⚠ DANGER



**HOT GLASS WILL  
CAUSE BURNS.**

**DO NOT TOUCH GLASS  
UNTIL COOLED.**

**NEVER ALLOW CHILDREN  
TO TOUCH GLASS.**

A barrier designed to reduce the risk of burns from the hot viewing glass is provided with this appliance and must be installed for the protection of children and other at-risk individuals.

## ▲ Safety Alert Key:

- **DANGER!** Indicates a hazardous situation which, if not avoided will result in death or serious injury.
- **WARNING!** Indicates a hazardous situation which, if not avoided could result in death or serious injury.
- **CAUTION!** Indicates a hazardous situation which, if not avoided, could result in minor or moderate injury.
- **NOTICE:** Used to address practices not related to personal injury.

**Note:** The term “recommend” or “recommended” does not indicate a requirement. It is a best practice suggested by Hearth & Home Technologies®.

## Table of Contents

|   |    |  |    |
|---|----|--|----|
| Installation Standard Work Checklist . . . . .                  | 3  | <b>7 Venting and Chimneys</b>                            |    |
| <b>1 Product Specific and Important Safety Information</b>      |    | A. Assemble Vent Sections . . . . .                      | 37 |
| A. Appliance Certification . . . . .                            | 4  | B. Assemble Slip Sections (DVP and SLP) . . . . .        | 38 |
| B. Glass Specifications . . . . .                               | 4  | C. Secure the Vent Sections . . . . .                    | 39 |
| C. BTU Specifications . . . . .                                 | 4  | D. Disassemble Vent Sections . . . . .                   | 39 |
| D. High Altitude Installations . . . . .                        | 4  | E. Vertical Termination Requirements . . . . .           | 40 |
| E. Non-Combustible Materials Specification . . . . .            | 4  | F. Horizontal Termination Requirements . . . . .         | 41 |
| F. Combustible Materials Specification . . . . .                | 4  | <b>8 Electrical Information</b>                          |    |
| G. Electrical Codes . . . . .                                   | 4  | A. General Information . . . . .                         | 43 |
| H. California . . . . .   | 4  | B. Wiring Requirements . . . . .                         | 44 |
| I. Requirements for the Commonwealth of Massachusetts . . . . . | 5  | <b>9 Gas Information</b>                                 |    |
| <b>2 Getting Started</b>  |    | A. Fuel Conversion . . . . .                             | 46 |
| A. Design and Installation Considerations . . . . .             | 6  | B. Gas Pressure . . . . .                                | 46 |
| B. Good Faith Wall Surface . . . . .                            | 6  | C. Gas Connection . . . . .                              | 46 |
| C. Tools and Supplies Needed . . . . .                          | 6  | D. High Altitude Installations . . . . .                 | 46 |
| D. Inspect Appliance and Components . . . . .                   | 7  | E. Air Shutter Setting . . . . .                         | 47 |
| <b>3 Framing and Clearances</b>                                 |    | <b>10 Finishing</b>                                      |    |
| A. Appliance/Decorative Front Dimension Diagrams . . . . .      | 8  | A. Facing Material . . . . .                             | 48 |
| B. Clearances to Combustibles . . . . .                         | 10 | B. Mantel and Wall Projections . . . . .                 | 49 |
| C. Constructing the Appliance Chase . . . . .                   | 12 | C. Decorative Front Dimensions for Finishing . . . . .   | 50 |
| → D. Floor Protection . . . . .                                 | 12 | <b>11 Appliance Setup</b>                                |    |
| <b>4 Termination Location and Vent Information</b>              |    | A. Fixed Glass Assembly . . . . .                        | 53 |
| A. Vent Termination Minimum Clearances . . . . .                | 13 | B. Remove the Shipping Materials/Inspect Grate . . . . . | 53 |
| B. Vent Terminal Clearances . . . . .                           | 14 | C. Clean the Appliance . . . . .                         | 54 |
| C. Approved Pipe . . . . .                                      | 15 | D. Install Refractory (Required) . . . . .               | 54 |
| D. Use of Elbows . . . . .                                      | 16 | E. Install Lava Rock and Embers . . . . .                | 54 |
| E. Measuring Standards . . . . .                                | 17 | F. Install the Log Assembly . . . . .                    | 55 |
| F. Vent Diagrams . . . . .                                      | 17 | G. IntelliFire Touch® Control System Setup . . . . .     | 62 |
| <b>5 Vent Clearances and Framing</b>                            |    | <b>12 Reference Materials</b>                            |    |
| A. Pipe Clearances to Combustibles . . . . .                    | 30 | A. Vent Components Diagrams . . . . .                    | 63 |
| B. Wall Penetration Framing/Firestops . . . . .                 | 31 | B. Accessories . . . . .                                 | 74 |
| C. Ceiling Firestop/Floor Penetration Framing . . . . .         | 32 |  |    |
| D. Install Attic Insulation Shield . . . . .                    | 32 |  |    |
| <b>6 Appliance Preparation</b>                                  |    |  |    |
| A. Vent Collar Preparation . . . . .                            | 33 |  |    |
| B. Installing Optional Heat Management Systems . . . . .        | 35 |  |    |
| C. Securing and Leveling the Appliance . . . . .                | 36 |  |    |
| D. Non-Combustible Material Installation . . . . .              | 36 |  |    |

→ = Contains updated information.

# Installation Standard Work Checklist

## ATTENTION INSTALLER: Follow this Standard Work Checklist

This standard work checklist is to be used by the installer in conjunction with, not instead of, the instructions contained in this installation manual.

|  |   |
|--|---|
| <b>Customer:</b> _____   | <b>Date Installed:</b> _____            |
| <b>Lot/Address:</b> _____  | <b>Location of Fireplace:</b> _____     |
|  | <b>Installer:</b> _____                 |
| <b>Model (circle one):</b> <b>MERIDPLA36IN</b> <b>MERIDPLA36IL</b> | <b>Dealer/Distributor Phone #</b> _____ |
| <b>MERIDPLA42IN</b> <b>MERIDPLA42IL</b>                            | <b>Serial #:</b> _____                  |

**WARNING! Risk of Fire or Explosion!** Failure to install appliance according to these instructions could lead to a fire or explosion.

| <u>Appliance Install</u>                                  | YES                      | IF NO, WHY? |
|---|--------------------------|-------------|
| Verified that the chase is insulated and sealed. (Pg. 12) | <input type="checkbox"/> | _____       |
| Required non-combustible board is installed. (Pg. 36)     | <input type="checkbox"/> | _____       |
| Verified clearances to combustibles. (Pg. 10-11)          | <input type="checkbox"/> | _____       |
| Fireplace is leveled and secured. (Pg. 36)                | <input type="checkbox"/> | _____       |

| <u>Venting/Chimney Section 5 (Pg 30-32), Section 7 (Pg 37-42)</u>     | YES                      | IF NO, WHY? |
|---|--------------------------|-------------|
| Venting configuration complies to vent diagrams.                      | <input type="checkbox"/> | _____       |
| Venting installed, locked and secured in place with proper clearance. | <input type="checkbox"/> | _____       |
| Elbow heat shield installed per requirements. (Pg 19, 30)             | <input type="checkbox"/> | _____       |
| Firestops installed.  | <input type="checkbox"/> | _____       |
| Attic insulation shield installed.                                    | <input type="checkbox"/> | _____       |
| Exterior wall/Roof flashing installed and sealed.                     | <input type="checkbox"/> | _____       |
| Terminations installed and sealed.                                    | <input type="checkbox"/> | _____       |

| <u>Electrical Section 8 (Pg 43-45)</u>                    | YES                      | IF NO, WHY? |
|---|--------------------------|-------------|
| Unswitched power (110-120 VAC) provided to the appliance. | <input type="checkbox"/> | _____       |
| Switch wires properly installed.                          | <input type="checkbox"/> | _____       |

| <u>Gas Section 9 (Pg 46-47)</u>                            | YES                      | IF NO, WHY? |
|--|--------------------------|-------------|
| Proper appliance for fuel type.                            | <input type="checkbox"/> | _____       |
| Was a conversion performed?                                | <input type="checkbox"/> | _____       |
| Leak check performed and inlet pressure verified.          | <input type="checkbox"/> | _____       |
| Verified proper air shutter setting for installation type. | <input type="checkbox"/> | _____       |

| <u>Finishing Section 10 (Pg 48-52)</u>                                     | YES                      | IF NO, WHY? |
|--|--------------------------|-------------|
| Combustible materials not installed in non-combustible areas.              | <input type="checkbox"/> | _____       |
| Verified all clearances meet installation manual requirements.             | <input type="checkbox"/> | _____       |
| Mantels and wall projections comply with installation manual requirements. | <input type="checkbox"/> | _____       |

| <u>Appliance Setup Section 11 (Pg 53-62)</u>   | YES                      | IF NO, WHY? |
|--|--------------------------|-------------|
| All packaging and protective materials removed (inside & outside of appliance).  | <input type="checkbox"/> | _____       |
| Refractories, logs, lava rock, and embers installed correctly.   | <input type="checkbox"/> | _____       |
| Glass assembly installed and secured.  | <input type="checkbox"/> | _____       |
| Accessories installed properly.  | <input type="checkbox"/> | _____       |
| Decorative front properly installed.   | <input type="checkbox"/> | _____       |
| Manual bag and all of its contents are removed from inside/under the appliance and given to party responsible for use and operation. | <input type="checkbox"/> | _____       |
| Started appliance and verified no gas leaks exist.   | <input type="checkbox"/> | _____       |

- Hearth & Home Technologies recommends the following:**
- Photographing the installation and copying this checklist for your file.
  - That this checklist remain visible at all times on the appliance until the installation is complete.

**Comments:** Further description of the issues, who is responsible (Installer/ Builder/ Other Trades, etc) and corrective action needed \_\_\_\_\_

Comments Communicated to party responsible \_\_\_\_\_ by \_\_\_\_\_ on \_\_\_\_\_  
(Builder / Gen. Contractor/) (Installer) (Date)

→ = Contains updated information.

# 1 Product Specific and Important Safety Information

## A. Appliance Certification

**MODELS:** MERIDPLA36IN      MERIDPLA36IL  
                  MERIDPLA42IN      MERIDPLA42IL  
**LABORATORY:** Underwriters Laboratories, Inc. (UL)  
**TYPE:** Direct Vent Heater  
**STANDARD:** CSA / ANSI Z21.88:19 • CSA 2.33:19

This product is listed to ANSI standards for “Vented Gas Fireplace Heaters” and applicable sections of “Gas Burning Heating Appliances for Manufactured Homes and Recreational Vehicles”, and “Gas Fired Appliances for Use at High Altitudes”.

**NOTICE:** This installation must conform with local codes. In the absence of local codes you must comply with the National Fuel Gas Code, ANSI Z223.1-latest edition in the U.S.A. and the CAN/CGA B149 Installation Codes in Canada.

**NOT INTENDED FOR USE AS A PRIMARY HEAT SOURCE.**  
This appliance is tested and approved as either supplemental room heat or as a decorative appliance. It should not be factored as primary heat in residential heating calculations.

## B. Glass Specifications

This appliance is equipped with 5 mm ceramic glass. Replace glass only with 5 mm ceramic glass. Please contact your dealer for replacement glass.

## C. BTU Specifications

| Models<br>(U.S. or Canada) |             | Maximum<br>Input BTU/h | Minimum<br>Input BTU/h | Orifice<br>Size<br>(DMS) |
|----------------------------|-------------|------------------------|------------------------|--------------------------|
| MERIDPLA36IN<br>(NG)       | (0-2000 FT) | 35,000                 | 19,000                 | 33                       |
| MERIDPLA36IL<br>(Propane)  | (0-2000 FT) | 33,000                 | 19,000                 | 51                       |
| MERIDPLA42IN<br>(NG)       | (0-2000 FT) | 40,000                 | 20,000                 | 31                       |
| MERIDPLA42IL<br>(Propane)  | (0-2000 FT) | 34,000                 | 18,000                 | 50                       |

## D. High Altitude Installations

**NOTICE:** If the heating value of the gas has been reduced, these rules do not apply. Check with your local gas utility or authorities having jurisdiction.

When installing above 2000 feet elevation:

- In the USA: Reduce input rate 4% for each 1000 feet above 2000 feet.
- In CANADA: Input ratings are certified without a reduction of input rate for elevations up to 4500 feet (1370 m) above sea level. Please consult provincial and/or local authorities having jurisdiction for installations at elevations above 4500 feet (1370 m).

Check with your local gas utility to determine proper orifice size.

## E. Non-Combustible Materials Specification

Material which will not ignite and burn. Such materials are those consisting entirely of steel, iron, brick, tile, concrete, slate, glass or plasters, or any combination thereof.

Materials that are reported as passing **ASTM E 136, Standard Test Method for Behavior of Materials in a Vertical Tube Furnace at 750 °C** shall be considered non-combustible materials.

## F. Combustible Materials Specification

Materials made of or surfaced with wood, compressed paper, plant fibers, plastics, or other material that can ignite and burn, whether flame proofed or not, or plastered or unplastered shall be considered combustible materials.

## G. Electrical Codes

**NOTICE:** This appliance must be electrically wired and grounded in accordance with local codes or, in the absence of local codes, with **National Electric Code ANSI/NFPA 70-latest edition** or the **Canadian Electric Code CSA C22.1**.

- A 110-120 VAC circuit for this product must be protected with ground-fault circuit-interrupter protection, in compliance with the applicable electrical codes, when it is installed in locations such as in bathrooms or near sinks.

## H. California



**WARNING:** This product and the fuels used to operate this product (liquid propane or natural gas), and the products of combustion of such fuels, can expose you to chemicals including benzene, which is known to the State of California to cause cancer and reproductive harm. For more information go to: [www.P65Warnings.ca.gov](http://www.P65Warnings.ca.gov).



**Note:** The following requirements reference various Massachusetts and national codes not contained in this document.

## I. Requirements for the Commonwealth of Massachusetts

For all side wall horizontally vented gas fueled equipment installed in every dwelling, building or structure used in whole or in part for residential purposes, including those owned or operated by the Commonwealth and where the side wall exhaust vent termination is less than seven (7) feet above finished grade in the area of the venting, including but not limited to decks and porches, the following requirements shall be satisfied:

### Installation of Carbon Monoxide Detectors

At the time of installation of the side wall horizontal vented gas fueled equipment, the installing plumber or gas fitter shall observe that a hard wired carbon monoxide detector with an alarm and battery back-up is installed on the floor level where the gas equipment is to be installed. In addition, the installing plumber or gas fitter shall observe that a battery operated or hard wired carbon monoxide detector with an alarm is installed on each additional level of the dwelling, building or structure served by the side wall horizontal vented gas fueled equipment. It shall be the responsibility of the property owner to secure the services of qualified licensed professionals for the installation of hard wired carbon monoxide detectors.

In the event that the side wall horizontally vented gas fueled equipment is installed in a crawl space or an attic, the hard wired carbon monoxide detector with alarm and battery back-up may be installed on the next adjacent floor level.

In the event that the requirements of this subdivision can not be met at the time of completion of installation, the owner shall have a period of thirty (30) days to comply with the above requirements; provided, however, that during said thirty (30) day period, a battery operated carbon monoxide detector with an alarm shall be installed.

### Approved Carbon Monoxide Detectors

Each carbon monoxide detector as required in accordance with the above provisions shall comply with NFPA 720 and be ANSI/UL 2034 listed and IAS certified.

### Signage

A metal or plastic identification plate shall be permanently mounted to the exterior of the building at a minimum height of eight (8) feet above grade directly in line with the exhaust vent terminal for the horizontally vented gas fueled heating appliance or equipment. The sign shall read, in print size no less than one-half (1/2) in. in size, "**GAS VENT DIRECTLY BELOW. KEEP CLEAR OF ALL OBSTRUCTIONS**".

## Inspection

The state or local gas inspector of the side wall horizontally vented gas fueled equipment shall not approve the installation unless, upon inspection, the inspector observes carbon monoxide detectors and signage installed in accordance with the provisions of 248 CMR 5.08(2)(a)1 through 4.

## Exemptions

The following equipment is exempt from 248 CMR 5.08(2)(a)1 through 4:

- The equipment listed in Chapter 10 entitled "Equipment Not Required To Be Vented" in the most current edition of NFPA 54 as adopted by the Board; and
- Product Approved side wall horizontally vented gas fueled equipment installed in a room or structure separate from the dwelling, building or structure used in whole or in part for residential purposes.

## MANUFACTURER REQUIREMENTS

### Gas Equipment Venting System Provided

When the manufacturer of Product Approved side wall horizontally vented gas equipment provides a venting system design or venting system components with the equipment, the instructions provided by the manufacturer for installation of the equipment and the venting system shall include:

- Detailed instructions for the installation of the venting system design or the venting system components; and
- A complete parts list for the venting system design or venting system.

### Gas Equipment Venting System NOT Provided

When the manufacturer of a Product Approved side wall horizontally vented gas fueled equipment does not provide the parts for venting the flue gases, but identifies "special venting systems", the following requirements shall be satisfied by the manufacturer:

- The referenced "special venting system" instructions shall be included with the appliance or equipment installation instructions; and
- The "special venting systems" shall be Product Approved by the Board, and the instructions for that system shall include a parts list and detailed installation instructions.

A copy of all installation instructions for all Product Approved side wall horizontally vented gas fueled equipment, all venting instructions, all parts lists for venting instructions, and/or all venting design instructions shall remain with the appliance or equipment at the completion of the installation.

**See Gas Connection section for additional Commonwealth of Massachusetts requirements.**

## 2 Getting Started

### A. Design and Installation Considerations

Majestic direct vent gas appliances are designed to operate with all combustion air siphoned from outside of the building and all exhaust gases expelled to the outside. No additional outside air source is required.

Installation **MUST** comply with local, regional, state and national codes and regulations. Consult insurance carrier, local building inspector, fire officials or authorities having jurisdiction over restrictions, installation inspection and permits.

**Before** installing, determine the following:

- Where the appliance is to be installed.
- The vent system configuration to be used.
- Gas supply piping requirements.
- Provisions for optional heat management system.
- Electrical wiring requirements.
- Framing and finishing details.
- Whether optional accessories—devices such as a fan, wall switch, or remote control—are desired.

Improper installation, adjustment, alteration, service or maintenance can cause injury or property damage. For assistance or additional information, consult a qualified service technician, service agency or your dealer.

Installation and service of this appliance should be performed by qualified personnel. Hearth & Home Technologies recommends NFI certified professionals.



### B. Good Faith Wall Surface

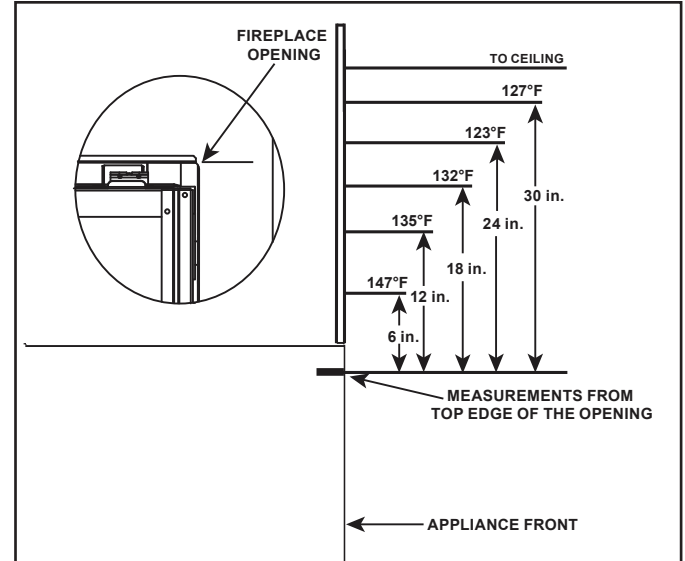


Figure 2.1 Good Faith Wall Surface Temperatures Above Appliance

If installing a television (TV) above the appliance, see Section 3 of the appliance Owner's Manual.

**NOTICE:** Temperatures listed above are taken with a temperature measuring probe as prescribed by the test standard used for appliance certification. Temperatures on walls or mantels taken with an infrared thermometer may yield increased temperatures of up to 30 degrees or more depending on the thermometer settings and material characteristics being measured. Use appropriate finishing materials that are able to withstand these conditions. For additional finishing guidelines, see Section 10.

### C. Tools and Supplies Needed

Before beginning the installation be sure that the following tools and building supplies are available.

- |   |                                   |
|---|-----------------------------------|
| Tape measure  | Framing material                  |
| Pliers  | Non-corrosive leak check solution |
| Hammer  | Phillips screwdriver              |
| Gloves  | Framing square                    |
| Voltmeter   | Electric drill and bits (1/4 in.) |
| Plumb line  | Safety glasses                    |
| Level   | Reciprocating saw                 |
| Manometer   | Flat blade screwdriver            |
| 1/2 - 3/4 in. length, #6 or #8 Self-drilling screws           |                                   |
| Caulking material (300 °F minimum continuous exposure rating) |                                   |
| One 1/4 in. female connection (for optional fan).             |                                   |

## D. Inspect Appliance and Components

- Carefully remove the appliance and components from the packaging.
- The vent system components and decorative fronts may be shipped in separate packages.
- If packaged separately, the log set and appliance grate must be installed.
- Report to your dealer any parts damaged in shipment, particularly the condition of the glass.
- **Read all of the instructions before starting the installation. Follow these instructions carefully during the installation to ensure maximum safety and benefit.**

**WARNING! Risk of Fire or Explosion!** Damaged parts could impair safe operation. **DO NOT** install damaged, incomplete or substitute components. Keep appliance dry.

Hearth & Home Technologies disclaims any responsibility for, and the warranty will be voided by, the following actions:

- Installation and use of any damaged appliance or vent system component.
- Modification of the appliance or vent system.
- Installation other than as instructed by Hearth & Home Technologies.
- Improper positioning of the gas logs or the glass assembly.
- Installation and/or use of any component part not approved by Hearth & Home Technologies.

**Any such action may cause a fire hazard.**

**WARNING! Risk of Fire, Explosion or Electric Shock!** **DO NOT** use this appliance if any part has been under water. Call a qualified service technician to inspect the appliance and to replace any part of the control system and/or gas control which has been under water.

# 3 Framing and Clearances

## A. Appliance/Decorative Front Dimension Diagrams

Dimensions are actual appliance dimensions. Use for reference only. For framing dimensions and clearances refer to Section 5.

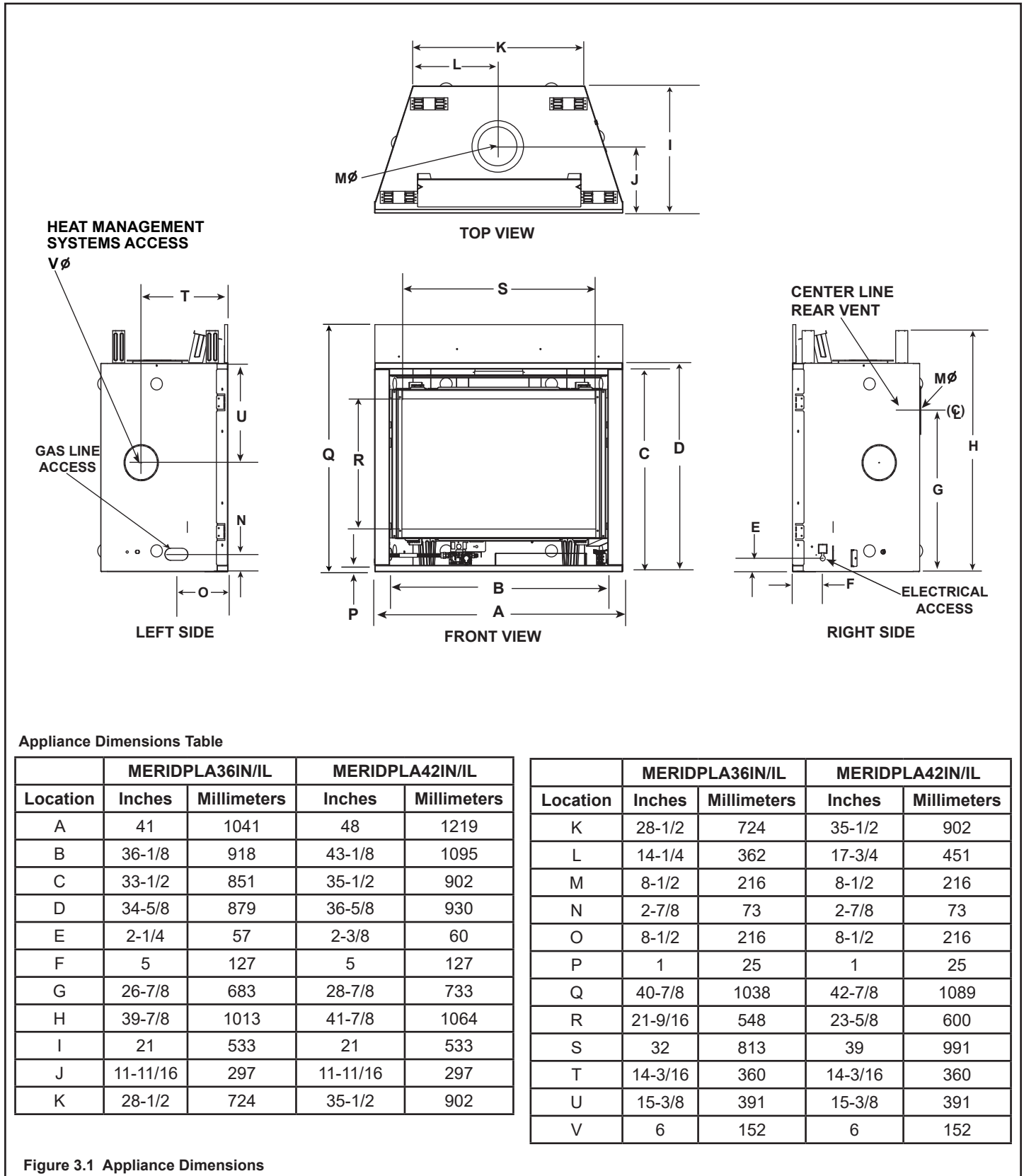
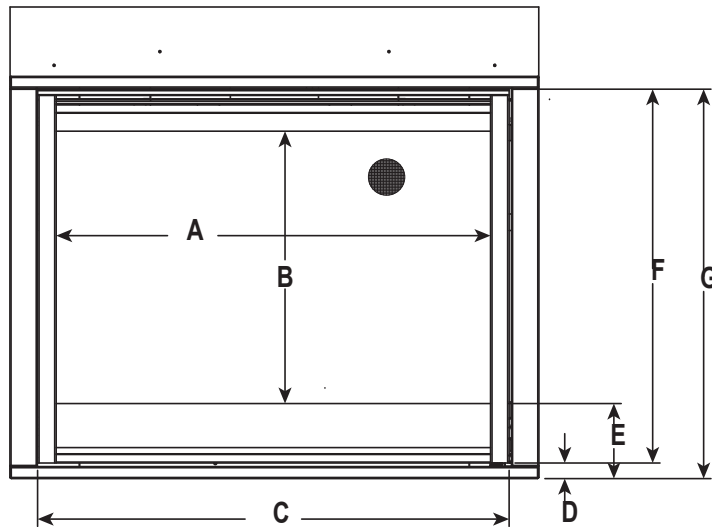


Figure 3.1 Appliance Dimensions

## DBM36BK, DBM42BK DECORATIVE FRONTS (INSIDE FIT)

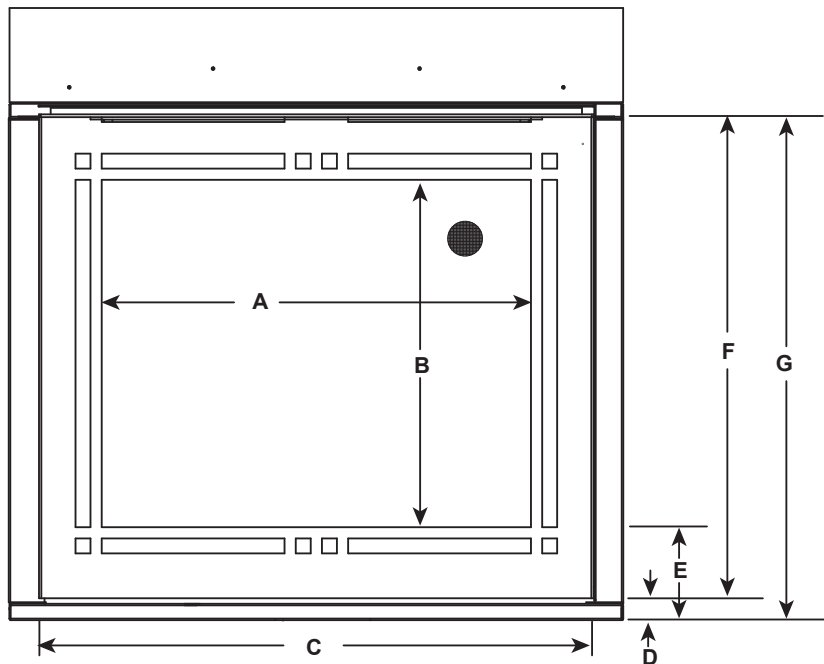
Refer to Section 10 for finishing details.



|         |                 |     | A      | B      | C        | D     | E       | F      | G      |
|---------|-----------------|-----|--------|--------|----------|-------|---------|--------|--------|
| DBM36BK | MERIDPLA36IN/IL | in. | 33-7/8 | 24-1/4 | 35-15/16 | 1-1/2 | 6-13/16 | 30-5/8 | 33-3/8 |
|         |                 | mm  | 860    | 616    | 913      | 38    | 173     | 778    | 848    |
| DBM42BK | MERIDPLA42IN/IL | in. | 40-7/8 | 26-3/8 | 42-15/16 | 1-1/2 | 6-13/16 | 32-5/8 | 35-3/8 |
|         |                 | mm  | 1038   | 670    | 1091     | 38    | 173     | 829    | 899    |

## CRD36, CRD42 DECORATIVE FRONTS (OVERLAP FIT)

Refer to Section 10 for finishing details.



|       |                 |     | A      | B       | C       | D     | E      | F      | G      |
|-------|-----------------|-----|--------|---------|---------|-------|--------|--------|--------|
| CRD36 | MERIDPLA36IN/IL | in. | 28-5/8 | 23-3/16 | 37-1/16 | 1-1/2 | 6-3/16 | 32-1/4 | 33-3/4 |
|       |                 | mm  | 727    | 589     | 941     | 38    | 157    | 819    | 857    |
| CRD42 | MERIDPLA42IN/IL | in. | 35-5/8 | 25-1/8  | 44-1/16 | 1-1/2 | 6-3/8  | 34-1/4 | 35-3/4 |
|       |                 | mm  | 905    | 638     | 1119    | 38    | 162    | 870    | 908    |

Figure 3.2 Decorative Front Dimensions



## B. Clearances to Combustibles

When selecting a location for the appliance it is important to consider the required clearances to walls (see Figure 3.3).

**WARNING! Risk of Fire or Burns! Provide adequate clearance around air openings and for service access. Due to high temperatures, the appliance should be located out of traffic and away from furniture and draperies.**

**NOTICE:** Illustrations reflect typical installations and are FOR DESIGN PURPOSES ONLY. Illustrations/diagrams are not drawn to scale. Actual installation may vary due to individual design preference.

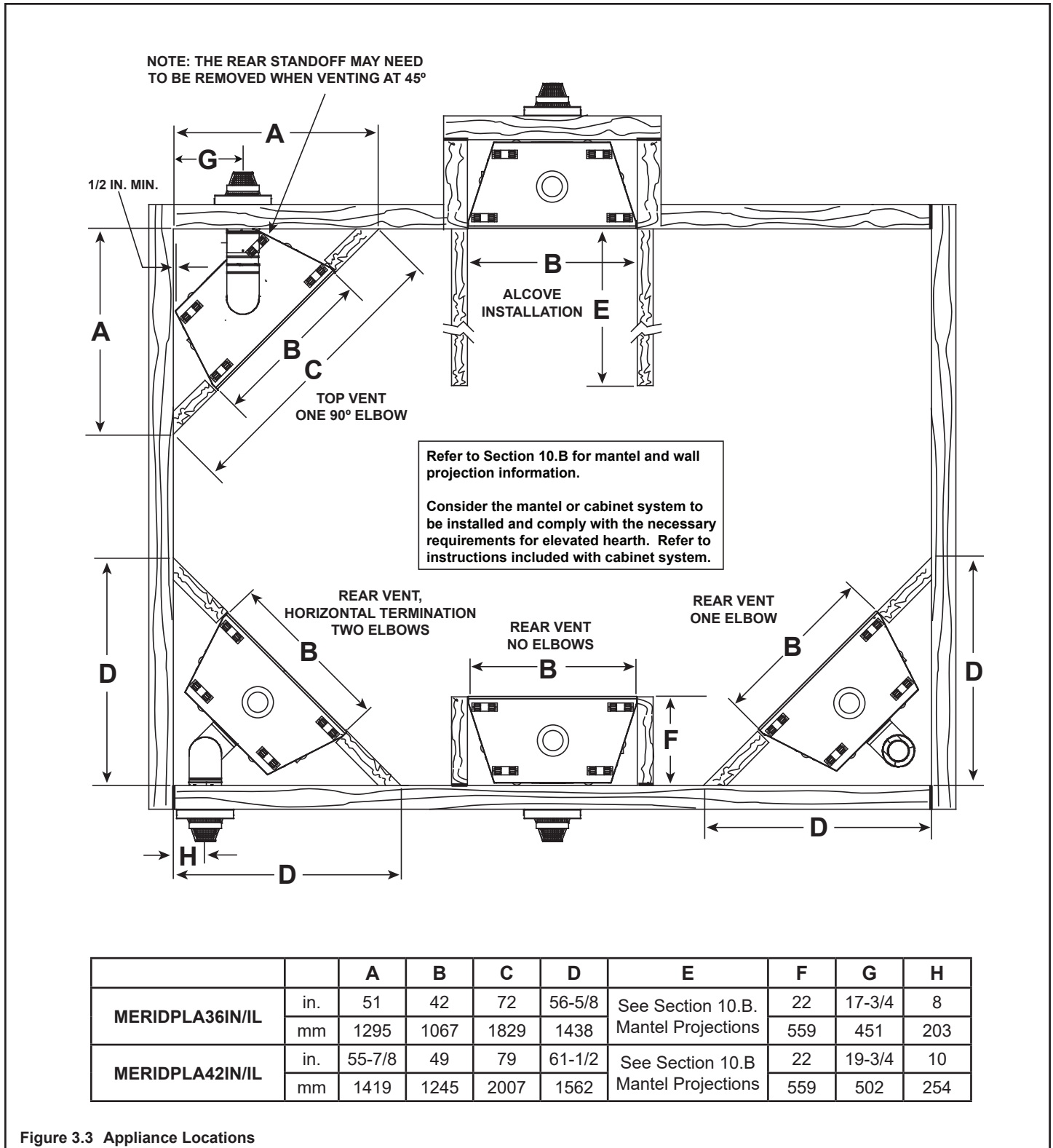
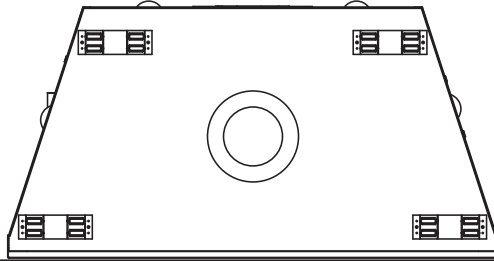
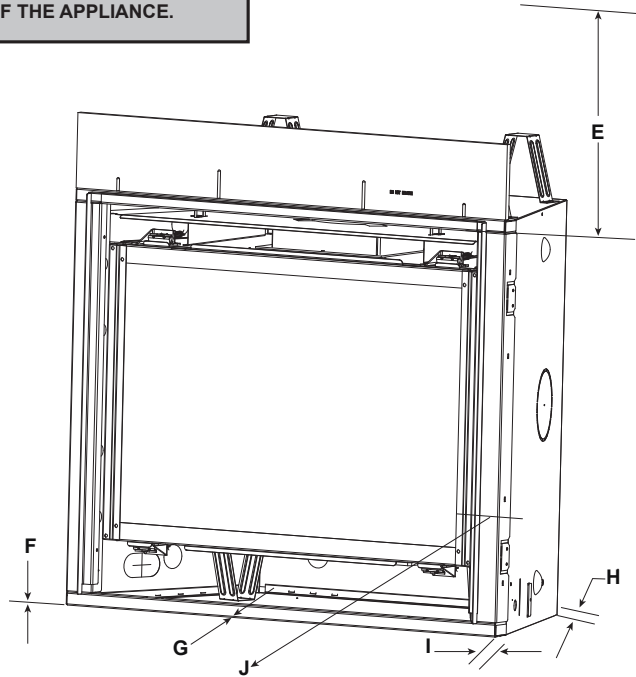
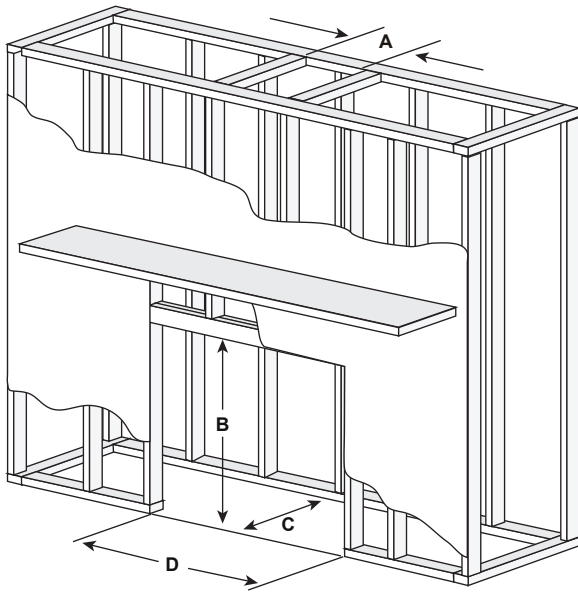


Figure 3.3 Appliance Locations



**COMBUSTIBLE FLOORING MAY BE INSTALLED NEXT TO THE FRONT OF THE APPLIANCE.**



| * MINIMUM FRAMING DIMENSIONS |     |                       |                        |                       |                       |                      |                   |                      |                  |                    |                    |
|------------------------------|-----|-----------------------|------------------------|-----------------------|-----------------------|----------------------|-------------------|----------------------|------------------|--------------------|--------------------|
| Models                       |     | A                     | B                      | C**                   | D                     | E                    | F                 | G***                 | H                | I                  | J                  |
|                              |     | Rough Opening (Width) | Rough Opening (Height) | Rough Opening (Depth) | Rough Opening (Width) | Clearance to Ceiling | Combustible Floor | Combustible Flooring | Behind Appliance | Sides of Appliance | Front of Appliance |
| MERIDPLA36IN/IL              | in. | 10                    | 40-1/8                 | 22                    | 42                    | 32                   | 0                 | 0                    | 1/2              | 1/2                | 36                 |
|                              | mm  | 254                   | 1019                   | 559                   | 1067                  | 813                  | 0                 | 0                    | 13               | 13                 | 914                |
| MERIDPLA42IN/IL              | in. | 10                    | 42-1/8                 | 22                    | 49                    | 32                   | 0                 | 0                    | 1/2              | 1/2                | 36                 |
|                              | mm  | 254                   | 1070                   | 559                   | 1245                  | 813                  | 0                 | 0                    | 13               | 13                 | 914                |

\* Adjust framing dimensions for interior sheathing (such as sheetrock).

C\*\* Add 12 inches for rear venting with one 90° elbow.

G\*\*\* For installations with vinyl flooring, see Section 3.D.

**Figure 3.4 Clearances to Combustibles**

## C. Constructing the Appliance Chase

A chase is a vertical box-like structure built to enclose the gas appliance and/or its vent system. In cooler climates the vent should be enclosed inside the chase.

**NOTICE:** Treatment of ceiling firestops and wall shield firestops and construction of the chase may vary with the type of building. These instructions are not substitutes for the requirements of local building codes. Therefore, you **MUST** check local building codes to determine the requirements to these steps.

**NOTICE:** Where required by code, install only sprinkler heads with a sprinkler activation temperature classified as Extra High.

- Sprinklers inside of chase: Keep sprinkler head away from vent and chimney.
- Heat Management applications: Maintain 36 inches of clearance to openings from which heat is discharged such as heat zone registers, etc. Refer to Section 6.B for Heat Management options allowed for this appliance.

Chases should be constructed in the manner of all outside walls of the home to prevent cold air drafting problems. The chase should not break the outside building envelope in any manner.

Walls, ceiling, base plate and cantilever floor of the chase should be insulated. Vapor and air infiltration barriers should be installed in the chase as per regional codes for the rest of the home. Additionally, in regions where cold air infiltration may be an issue, the inside surfaces may be sheetrocked and taped (or an equivalent method may be used) to achieve maximum air tightness.

To further prevent drafts, the wall shield and ceiling firestops should be caulked with caulk with a minimum of 300 °F continuous exposure rating to seal gaps. Gas line holes and other openings should be caulked with caulk with a minimum of 300 °F continuous exposure rating or stuffed with unfaced insulation. If the appliance is being installed on a cement surface, a layer of plywood may be placed underneath to prevent conducting cold up into the room.

**NOTICE:** Install appliance on hard metal or wood surfaces extending full width and depth. **DO NOT** install directly on carpeting, vinyl, tile or any combustible material other than wood.

**WARNING! Risk of Fire!** Maintain specified air space clearances to appliance and vent pipe:

- Insulation and other materials must be secured to prevent accidental contact.
- The chase must be properly blocked to prevent blown insulation or other combustibles from entering and making contact with fireplace or chimney.
- Failure to maintain airspace may cause overheating and a fire.

## D. Floor Protection

### Vinyl Flooring

Vinyl flooring is sensitive to heat. To avoid damage to the vinyl flooring, a 12 inch minimum x 12 inch minimum hearth is recommended when using vinyl flooring up to the wall. See Figure 3.5. If no hearth is used, it is recommended to provide a minimum of 30 inches of clearance in front of the appliance to the vinyl flooring OR the bottom of the appliance should be raised a minimum of 24 inches off of the floor to allow the vinyl flooring to be installed up to the wall.

**NOTICE:** Clearances that do not meet the minimum guidelines could result in damage or buckling to the vinyl flooring and is done at the installer's risk.

Hearth and Home Technologies does not recommend adhesive based vinyl flooring products due to thermal expansion during operation. Floating style flooring can be used, but will reach temperatures up to to 110 °F (based on ambient temperature of 70 °F). Consult the manufacturer's flooring specifications to ensure compatibility.

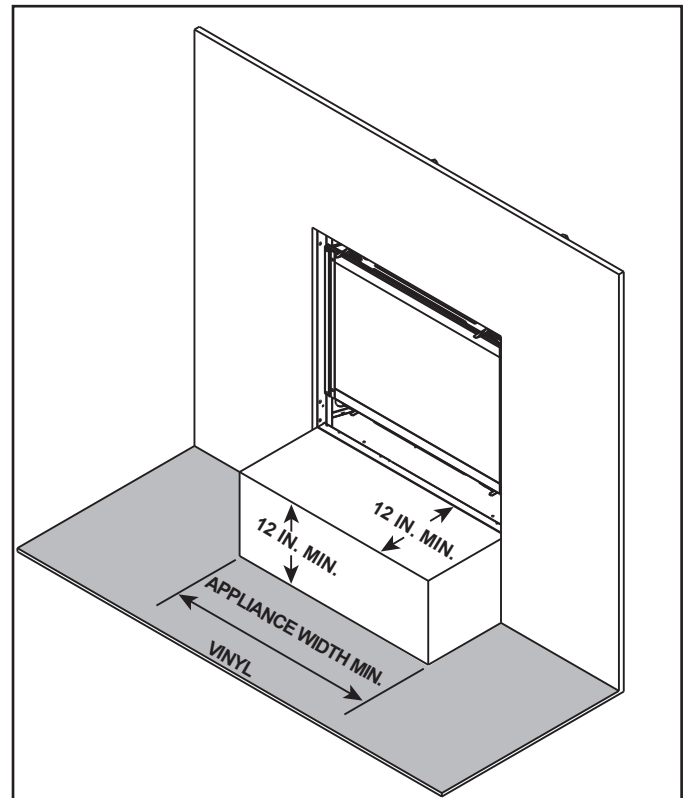


Figure 3.5 Vinyl Flooring Recommendations

# 4 Termination Location and Vent Information

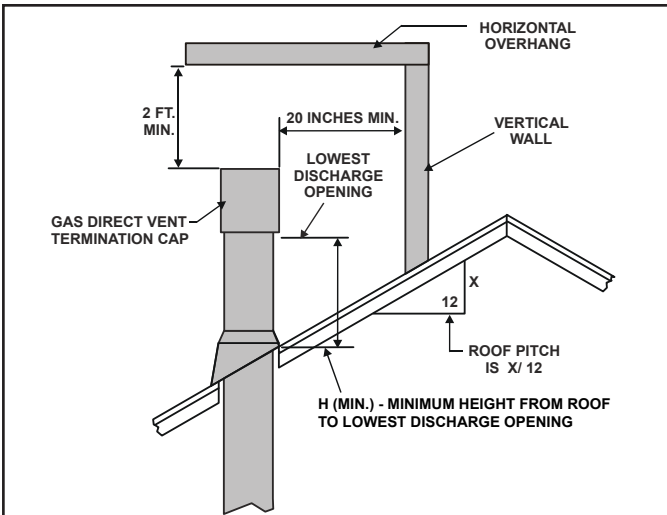
## A. Vent Termination Minimum Clearances

**WARNING**

Fire Risk.  
Maintain vent clearance to combustibles as specified.

- **DO NOT** pack air space with insulation or other materials.

Failure to keep insulation or other materials away from vent pipe could cause overheating and fire.



| Roof Pitch               | H (Min.) Ft. |
|--------------------------|--------------|
| Flat to 6/12.....        | 1.0*         |
| Over 6/12 to 7/12.....   | 1.25*        |
| Over 7/12 to 8/12.....   | 1.5*         |
| Over 8/12 to 9/12.....   | 2.0*         |
| Over 9/12 to 10/12.....  | 2.5*         |
| Over 10/12 to 11/12..... | 3.25         |
| Over 11/12 to 12/12..... | 4.0          |
| Over 12/12 to 14/12..... | 5.0          |
| Over 14/12 to 16/12..... | 6.0          |
| Over 16/12 to 18/12..... | 7.0          |
| Over 18/12 to 20/12..... | 7.5          |
| Over 20/12 to 21/12..... | 8.0          |

\* H minimum may vary depending on regional snowfall. Refer to local codes.

Figure 4.1 Minimum Height From Roof to Lowest Discharge Opening

| A   | B                        |
|---|--------------------------|
| 6 in. (minimum) up to 20 in.<br>152 mm/508 mm | 18 in. minimum<br>457 mm |
| 20 in. and over                               | 0 in. minimum            |

\* If using decorative cap cover(s), this distance may need to be increased. Refer to the installation instructions supplied with the decorative cap cover.

\*\* In a staggered installation with both gas and wood or fuel oil terminations, the wood or fuel oil termination cap must be higher than the gas termination cap.

Figure 4.2 Staggered Termination Caps

**CAUTION! Risk of Burns!** Termination caps are HOT, consider proximity to doors, traffic areas or where people may pass or gather (sidewalk, deck, patio, etc.). Listed cap shields available. Contact your dealer.

- Local codes or regulations may require different clearances.
- Hearth & Home Technologies assumes no responsibility for the improper performance of the appliance when the venting system does not meet these requirements.
- Vinyl protection kits are suggested for use with vinyl siding.
- Measure horizontal and vertical termination cap clearances as noted in Figure 4.3.

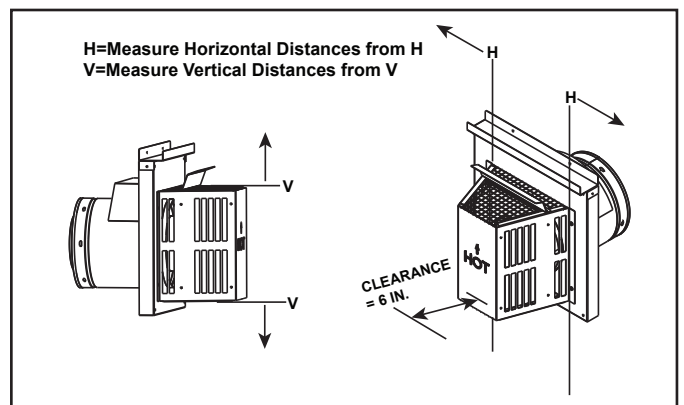
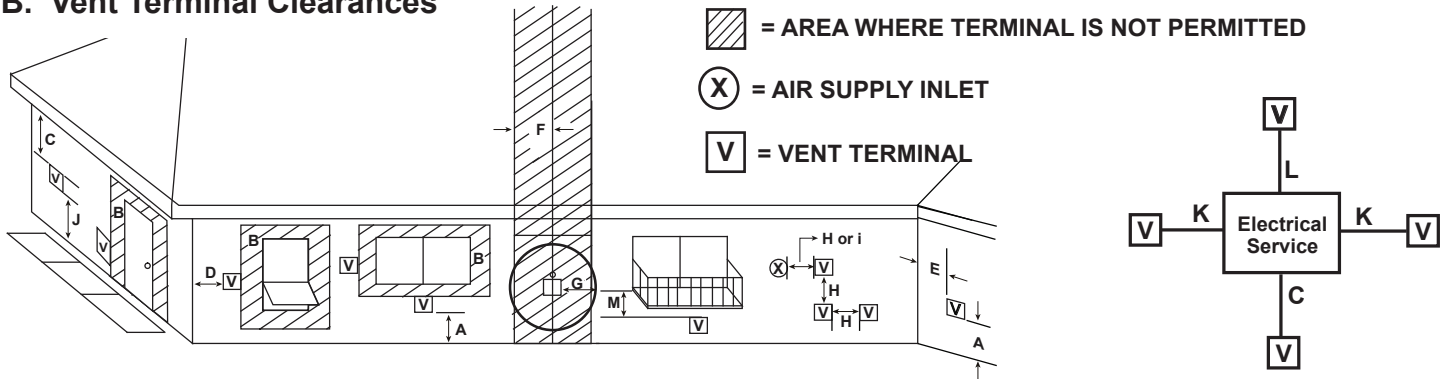


Figure 4.3

## B. Vent Terminal Clearances



**U.S.A. Installations:** In accordance with the current ANSI Z223.1/NFPA 54, National Fuel Gas Code.

**Canadian Installations:** In accordance with the current CSA B149.1, Natural Gas and Propane Installation Code.

|   |  | U.S.A.                   | CANADA                    |
|---|--|--------------------------|---------------------------|
| A | Clearance above grade, veranda, porch, deck, or balcony  | 12 in. (305 mm)          | 12 in. (305 mm)           |
| B | Clearance to window or door that may be opened, or to permanently closed window<br>U.S.A.: = 9 in. min. (229 mm min.) CANADA: = 12 in. min. (305 mm min.)                              |                          |                           |
| C | clearance below unventilated soffit  | 18 in. (457 mm)          | 18 in. (457 mm)           |
|   | clearance below ventilated soffit  | 18 in. (457 mm)          | 18 in. (457 mm)           |
|   | clearance below any vinyl soffits and electrical service   | 36 in. (914 mm)          | 36 in. (914 mm)           |
| D | clearance to outside corner  | 6 in. (152 mm)           | 6 in. (152 mm)            |
| E | clearance to inside corner   | 6 in. (152 mm)           | 6 in. (152 mm)            |
| F | not to be installed above a gas meter/regulator assembly within 3 feet horizontally from the center-line of the regulator  | 3 ft (914 mm)            | 3 ft (914 mm)             |
| G | clearance to gas service regulator vent outlet   | 3 ft (914 mm)            | 3 ft (914 mm)             |
| H | clearance to non-mechanical air supply inlet to building or the combustion air inlet to any other appliance termination (mechanical or non-mechanical)                                 | 9 in. min. (229 mm min.) | 12 in. min. (305 mm min.) |
| I | clearance to a mechanical (powered) air supply inlet<br>*** (All mechanical air intakes within 10 feet of a horizontal termination cap must be a minimum of 3 feet below termination.) | 3 ft (914 mm)***         | 6 ft (1.8 m)              |
| J | On <b>public</b> property: clearance above paved sidewalk or a paved driveway.   | 7 ft (2.1 m)             | 7 ft (2.1 m)**            |
|   | ** (A vent shall not terminate directly above a sidewalk or paved driveway which is located between two single family dwellings and serves both dwellings.)                            |                          |                           |
| K | clearance from sides of electrical service   | 6 in. (152 mm)           | 6 in. (152 mm)            |
|   | Location of the vent termination must not interfere with access to the electrical service.   |                          |                           |
| L | clearance above electrical service   | 12 in. (305 mm)          | 12 in. (305 mm)           |
|   | Location of the vent termination must not interfere with access to the electrical service.   |                          |                           |
| M | clearance under veranda, porch, deck, balcony or overhang<br>* (Permitted only if veranda, porch, deck, or balcony is fully open on a minimum of two sides beneath the floor.)         | 18 in. (457 mm)          | 12 in. (305 mm)*          |
|   | vinyl or composite overhang  | 42 in. (1067 mm)         | 42 in. (1067 mm)          |

**Figure 4.4 Minimum Clearances for Termination**



### C. Approved Pipe

This appliance is approved for use with Hearth & Home Technologies DVP or SLP venting systems. Refer to Section 12.A for vent component information and dimensions. Only use listed decorative termination caps/shrouds with Hearth & Home Technologies approved venting systems.

**DO NOT** mix pipe, fittings or joining methods from different manufacturers.

The pipe is tested to be run inside an enclosed wall. There is no requirement for inspection openings at each joint within the wall.

**WARNING! Risk of Fire or Asphyxiation.** *This appliance requires a separate vent. DO NOT vent to a pipe serving a separate solid fuel burning appliance.*

## D. Use of Elbows

Diagonal runs have both vertical and horizontal vent aspects when calculating the effects. Use the rise for the vertical aspect and the run for the horizontal aspect. See Figure 4.5.

Two 45° elbows may be used in place of one 90° elbow. On 45° runs, one foot of diagonal is equal to 8-1/2 in. (216 mm) horizontal run and 8-1/2 in. (216 mm) vertical run. A length of straight pipe is allowed between two 45° elbows. See Figure 4.5.

Figure 4.6 shows the vertical and horizontal offsets for DVP or SLP elbows.

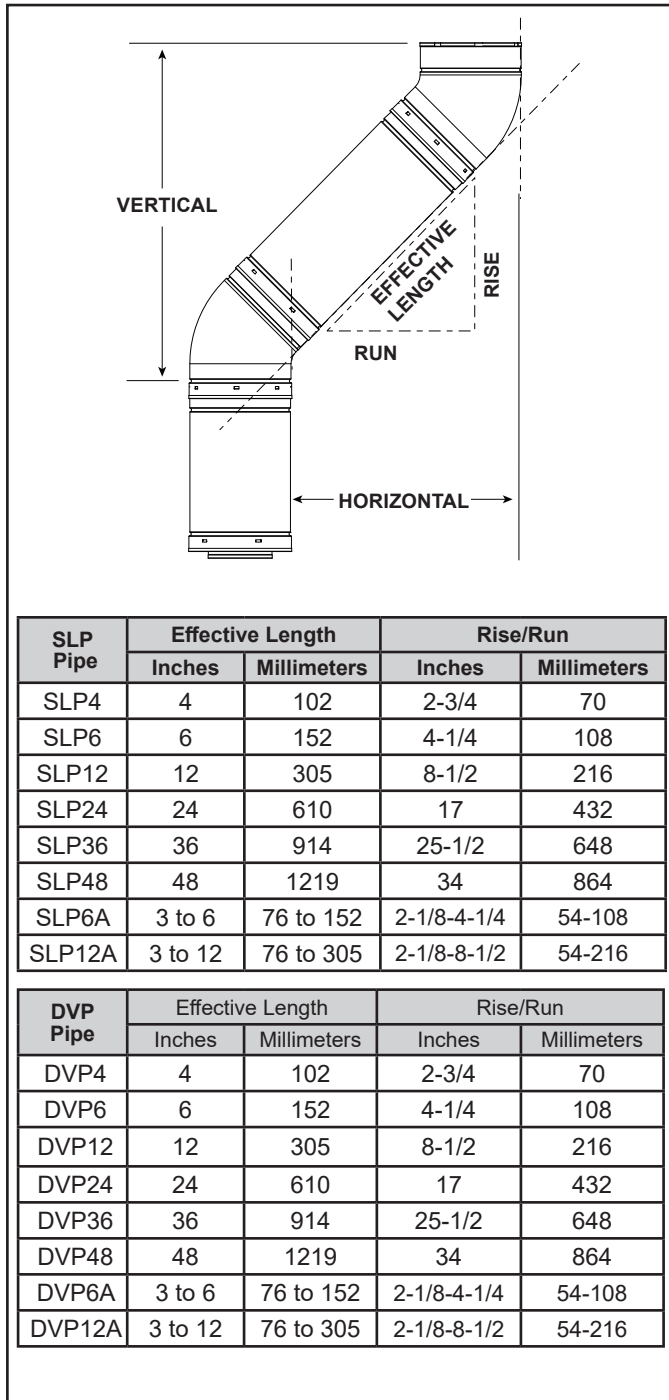


Figure 4.5

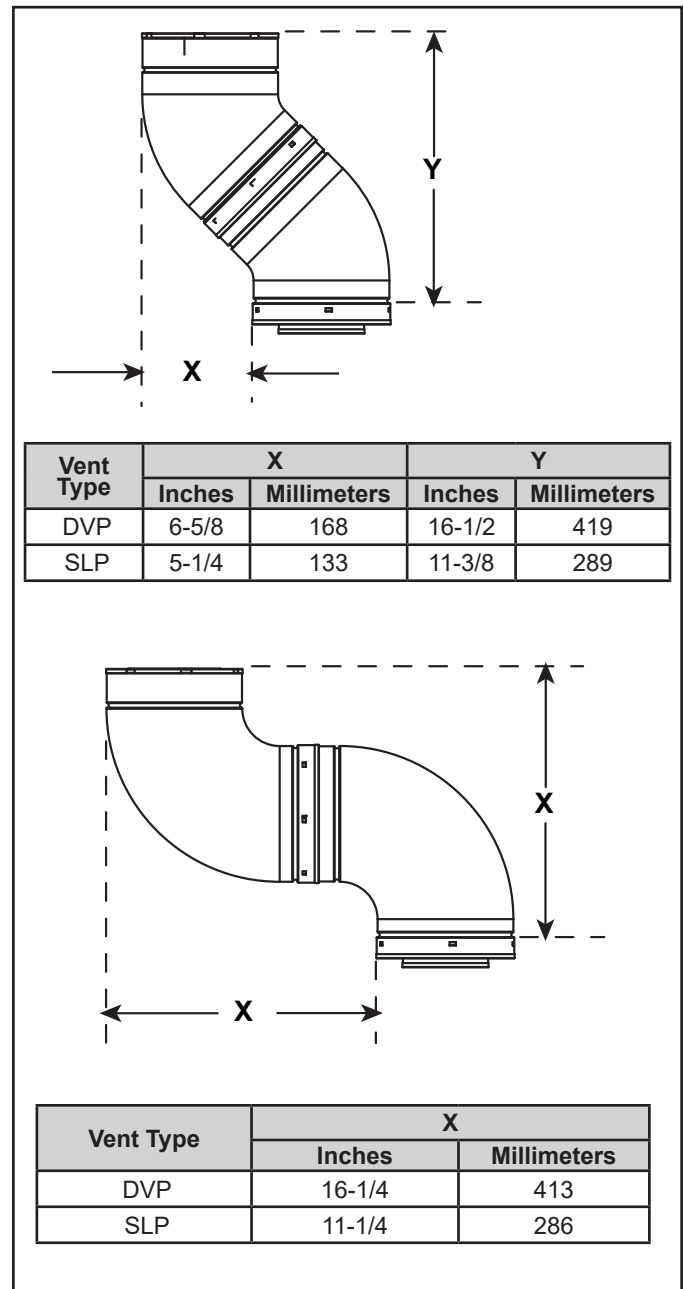


Figure 4.6 Vertical and Horizontal Offset for DVP and SLP Elbows

## E. Measuring Standards

Vertical and horizontal measurements listed in the vent diagrams were made using the following standards:

- Pipe measurements are shown using the effective length of pipe. See Section 12.A (Figure 12.1 for DVP, Figure 12.8 for SLP) for information on effective length of pipe components.
- Horizontal terminations are measured to the outside mounting surface (flange of termination cap) (see Figure 4.7).
- Vertical terminations are measured to top of last section of pipe. See Figure 4.8.
- Horizontal pipe installed level with no rise.

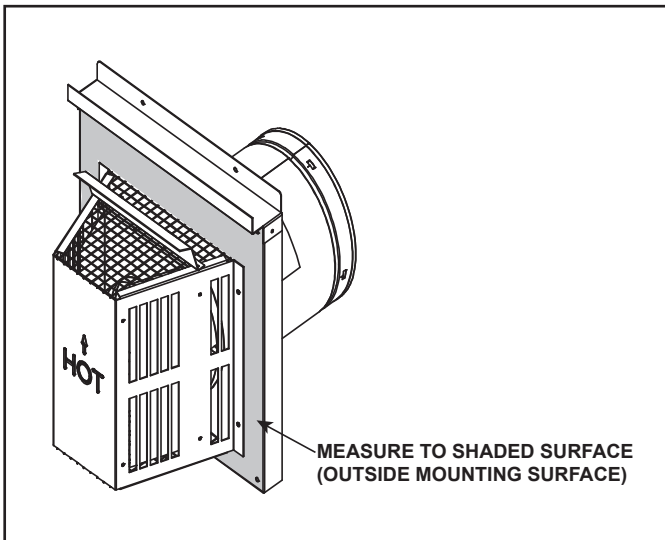


Figure 4.7 Measure to Outside Mounting Surface

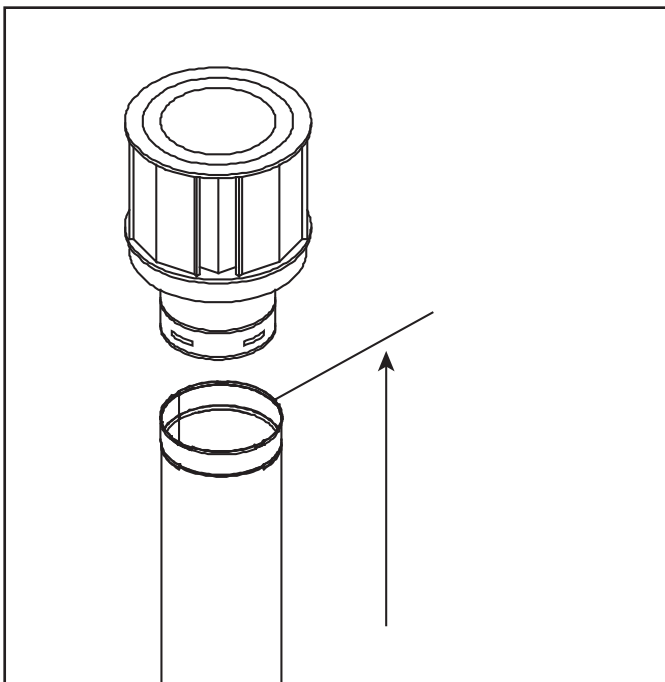


Figure 4.8 Measure to Top of Last Section of Pipe

## F. Vent Diagrams

General Rules:

- SUBTRACT 3 ft. from the total H measurement for each 90° elbow installed horizontally.
- SUBTRACT 1-1/2 ft. from the total H measurement for each 45° elbow installed horizontally.
- A maximum of three 90° elbows (or six 45° elbows) may be used in any vent configuration. Some elbows may be installed horizontally. For an example, see Figure 4.12.
- Elbows may be placed back to back anywhere in the system.
- Any 90° elbow may be replaced with two back to back 45° elbows.
- When penetrating a combustible wall, a wall shield firestop must be installed.
- When penetrating a combustible ceiling, a ceiling firestop must be installed.
- Horizontal runs of vent do not require vertical rise; horizontal runs may be level.
- Horizontal termination cap should have a 1/4 inch downward slant to allow any moisture in cap to be released. See Figure 4.9.

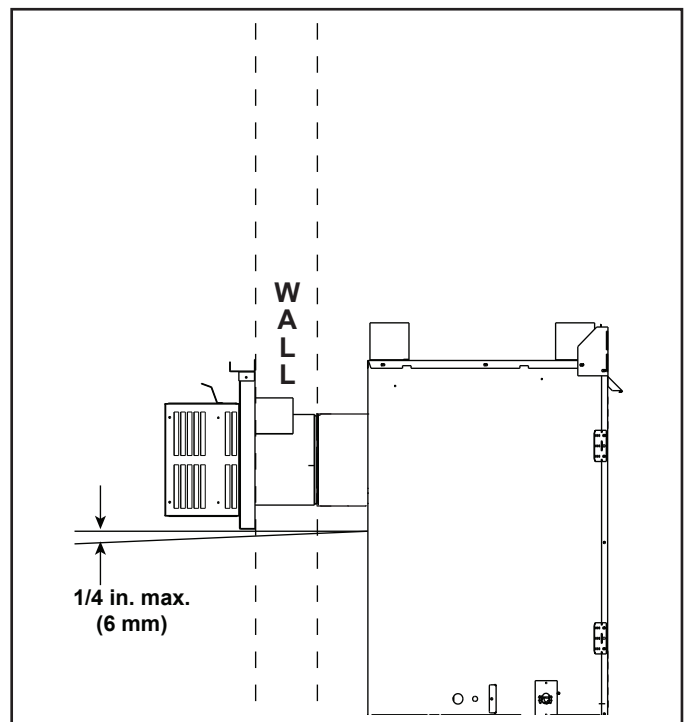


Figure 4.9

## Top Vent - Horizontal Termination

**Note:** The MERIDPLA36/MERIDPLA42 series fireplaces can adapt to SLP series vent pipe, if desired.

When venting off the top of the unit, use a DVP-2SL adapter and a minimum 48 inch vertical section of SLP series vent pipe.

A DVP-SLP24 adapter may also be used with a 24 inch vertical section of SLP series vent pipe.

**After** the 48 inch vertical section, the venting table rules must be followed. The first 48 inch **vertical** section is **NOT** counted as part of the vertical components in the table. It is still counted as part of the overall maximum run. All venting table rules for the vent run must still be followed.

**Example:** DVP pipe 1 ft. min. vertical = 6 ft. max. horizontal  
SLP pipe 5 ft. min. vertical = 6 ft. max. horizontal

### ⚠ WARNING



Fire Risk. Explosion Risk.

Do NOT pack insulation or other combustibles between ceiling firestops.

- ALWAYS maintain specified clearances around venting and firestop systems.

- Install wall shield and ceiling firestops as specified.

Failure to keep insulation or other material away from vent pipe may cause fire.



### ⚠ WARNING

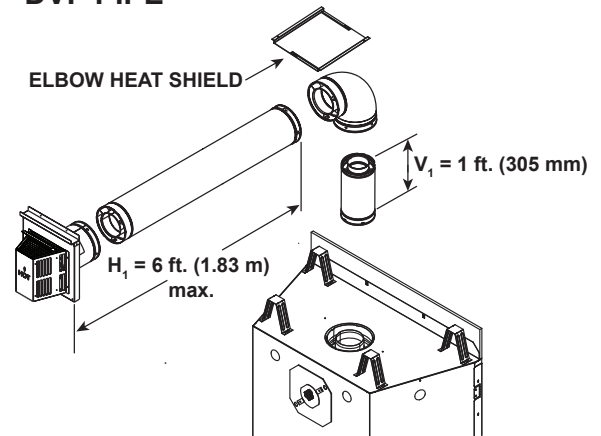


Fire Risk.

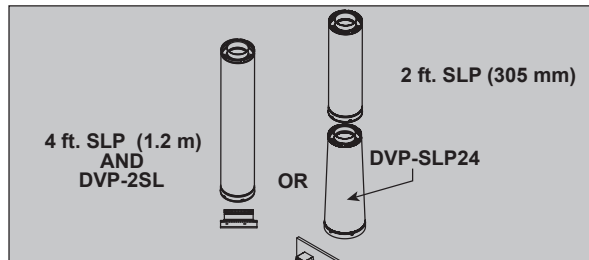
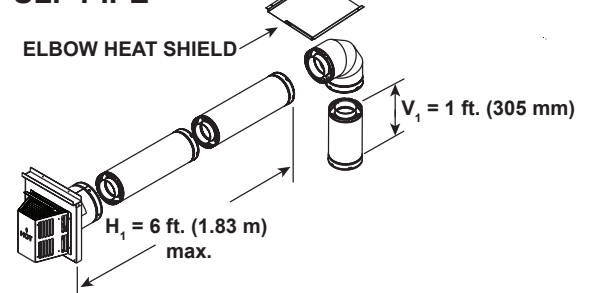
- When using DVP-HRC-SS or DVP-HRC-ZC-SS termination caps on top vented fireplaces, a 6 inch minimum vertical vent section is required before installing first elbow.

### HORIZONTAL EXAMPLE (IDENTICAL VENT RUNS USING DVP AND SLP PIPE)

#### DVP PIPE



#### SLP PIPE



### VERTICAL EXAMPLE (IDENTICAL VENT RUNS USING DVP AND SLP PIPE)

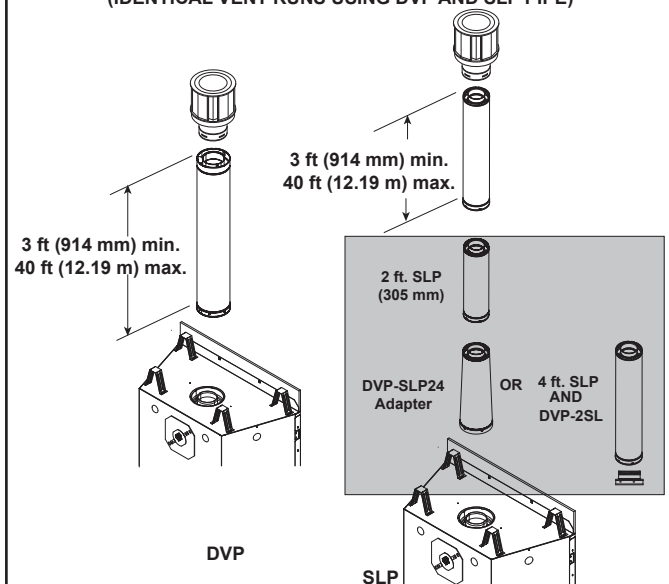


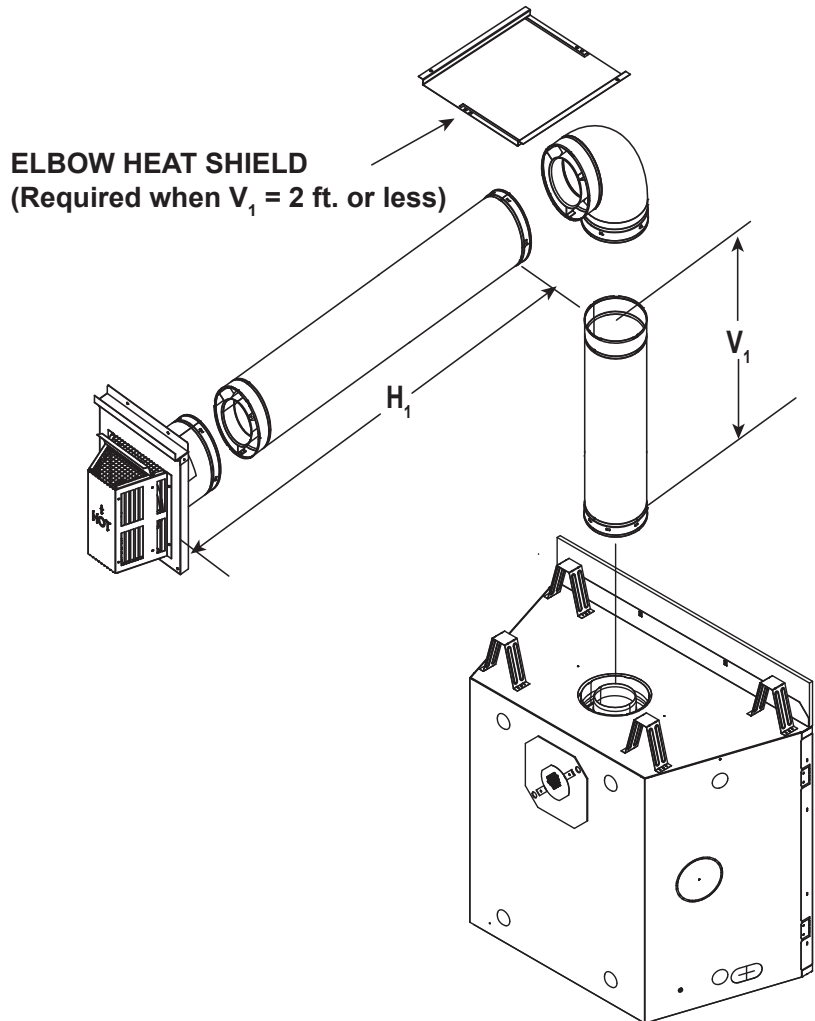
Figure 4.10 DVP-SLP24 Adapter

## Top Vent - Horizontal Termination

### One Elbow

**WARNING! Risk of Fire!** Elbow heat shield required when  $V_1 = 2$  ft. or less. Clearances to combustibles must be maintained. See Section 5.A.

**Note:** For corner installations: A 6 inch (152 mm) section of straight pipe may need to be attached to the appliance before a 90° elbow, to allow the vent pipe to clear the top standoffs.



| MERIDPLA36IN (NG)                     |        |               |        |
|---------------------------------------|--------|---------------|--------|
| $V_1$ Minimum                         |        | $H_1$ Maximum |        |
| Elbow only                            |        | 2 ft.         | 610 mm |
| 6 in.                                 | 152 mm | 4 ft.         | 1.2 m  |
| 1 ft.                                 | 305 mm | 6 ft.         | 1.8 m  |
| 1-1/2 ft.                             | 457 mm | 10 ft.        | 3.0 m  |
| 2 ft.                                 | 610 mm | 15 ft.        | 4.6 m  |
| 2-1/2 ft.                             | 762 mm | 20 ft.        | 6.1 m  |
| 3 ft.                                 | 914 mm | 25 ft.        | 7.6 m  |
| $V_1 + H_1 = 40$ ft. (12.2 m) Maximum |        |               |        |
| $H_1 = 25$ ft. (7.6 m) Maximum        |        |               |        |

| MERIDPLA42IN (NG)                     |        |               |        |
|---------------------------------------|--------|---------------|--------|
| $V_1$ Minimum                         |        | $H_1$ Maximum |        |
| Elbow Only                            |        | 2 ft.         | 610 mm |
| 1 ft.                                 | 305 mm | 3 ft.         | 914 mm |
| 2 ft.                                 | 610 mm | 6 ft.         | 1.8 m  |
| 3 ft.                                 | 914 mm | 11 ft.        | 3.4 m  |
| 4 ft.                                 | 1.2 m  | 20 ft.        | 6.1 m  |
| $V_1 + H_1 = 40$ ft. (12.2 m) Maximum |        |               |        |
| $H_1 = 20$ ft. (6.1 m) Maximum        |        |               |        |

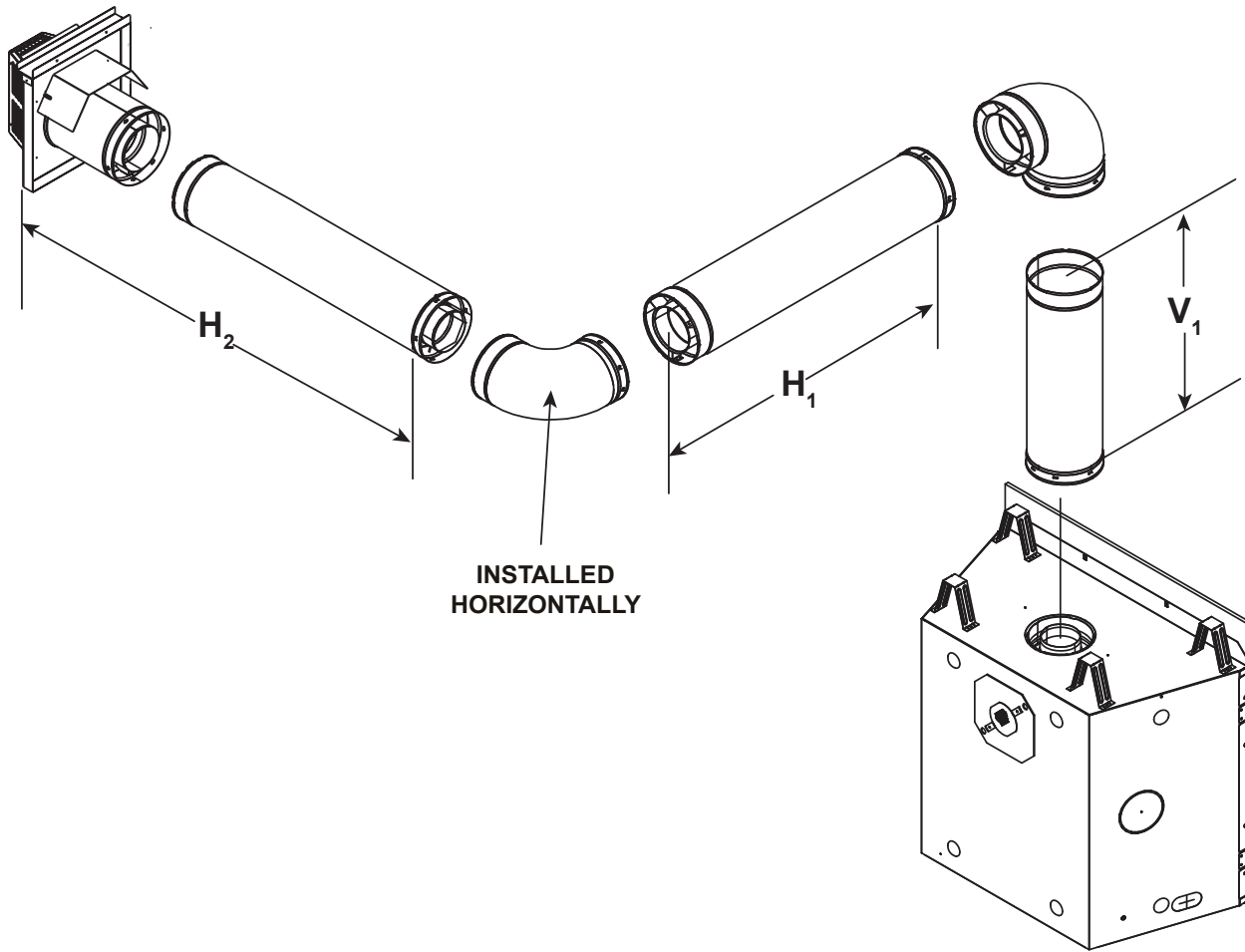
| MERIDPLA42IL (Propane)<br>MERIDPLA36IL (Propane) |        |               |        |
|--|--------|---------------|--------|
| $V_1$ Minimum                                    |        | $H_1$ Maximum |        |
| Elbow Only                                       |        | 18 in.        | 457 mm |
| 1 ft.  | 305 mm | 3 ft.         | 914 mm |
| 2 ft.  | 610 mm | 6 ft.         | 1.8 m  |
| 3 ft.  | 914 mm | 11 ft.        | 3.4 m  |
| 4 ft.  | 1.2 m  | 20 ft.        | 6.1 m  |
| $V_1 + H_1 = 40$ ft. (12.2 m) Maximum            |        |               |        |
| $H_1 = 20$ ft. (6.1 m) Maximum                   |        |               |        |

Figure 4.11



# Top Vent - Horizontal Termination - (continued)

## Two Elbows



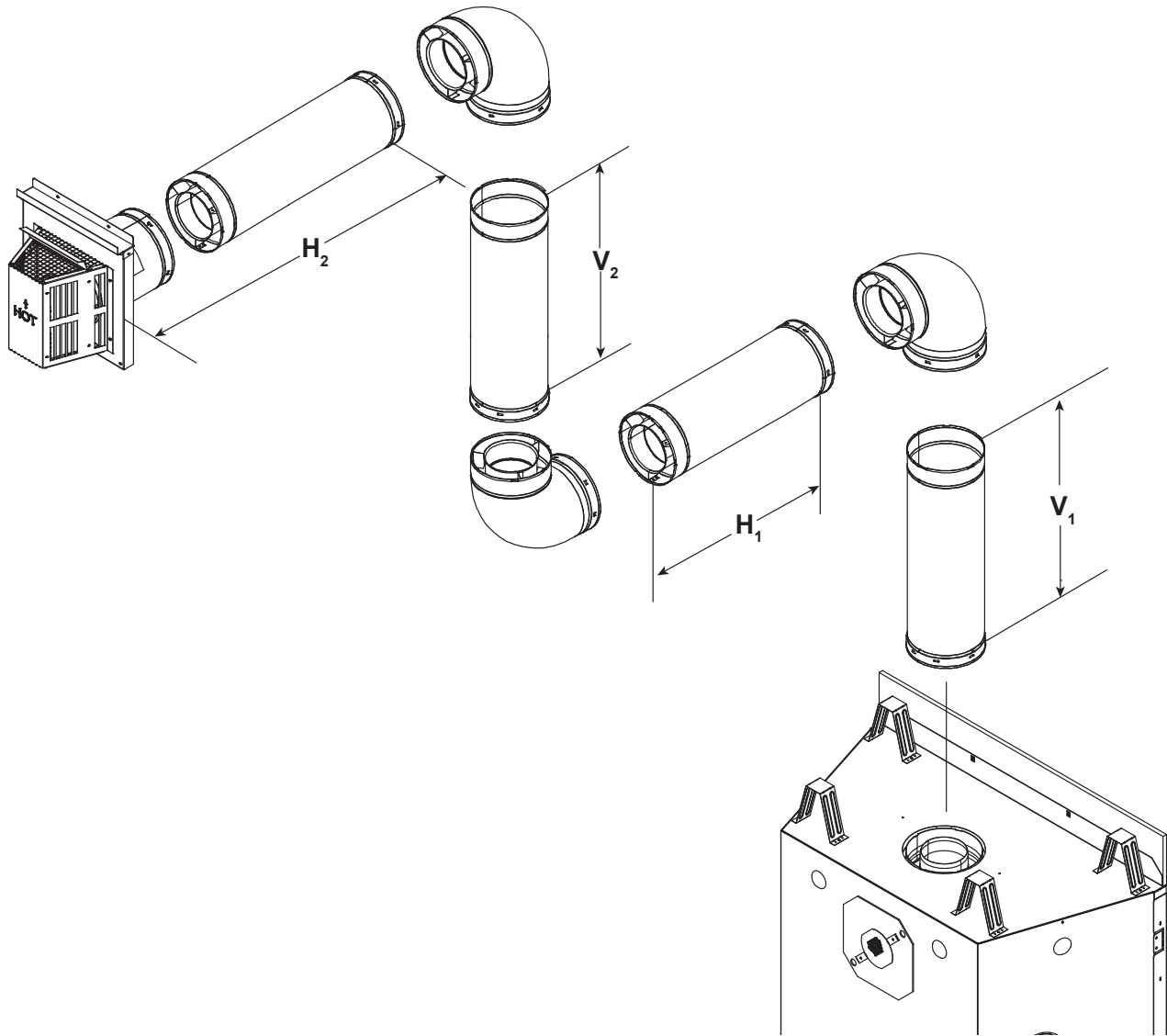
| MERIDPLA36IN/MERIDPLA36IL   |        |                     |        |
|---|--------|---------------------|--------|
| $V_1$ Minimum   |        | $H_1 + H_2$ Maximum |        |
| Elbow only  |        | Not allowed         |        |
| 6 in.   | 152 mm | Not allowed         |        |
| 1 ft.   | 305 mm | 2 ft.               | 610 mm |
| 1-1/2 ft.   | 457 mm | 4 ft.               | 1.2 m  |
| 2 ft.   | 610 mm | 11 ft.              | 3.35 m |
| 2-1/2 ft.   | 762 mm | 19 ft.              | 5.8 m  |
| 3 ft.   | 914 mm | 22 ft.              | 6.7 m  |
| $V_1 + H_1 + H_2 = 40$ ft. (12.2 m) Maximum<br>$H_1 + H_2 = 22$ ft. (6.7 m) Maximum<br>$V_1 = 1$ ft. (305 mm) Minimum |        |                     |        |

| MERIDPLA42IN/MERIDPLA42IL   |        |                     |        |
|---|--------|---------------------|--------|
| $V_1$ Minimum   |        | $H_1 + H_2$ Maximum |        |
| Elbow only  |        | Not allowed         |        |
| 6 in.   | 152 mm | Not allowed         |        |
| 1 ft.   | 305 mm | 2 ft.               | 610 mm |
| 2 ft.   | 610 mm | 4 ft.               | 1.2 m  |
| 3 ft.   | 914 mm | 6 ft.               | 1.8 m  |
| 4 ft.   | 1.2 m  | 8 ft.               | 2.4 m  |
| 6 ft.   | 1.8 m  | 12 ft.              | 3.6 m  |
| 10 ft.  | 3.0 m  | 20 ft.              | 6.1 m  |
| $V_1 + H_1 + H_2 = 40$ ft. (12.2 m) Maximum<br>$H_1 + H_2 = 20$ ft. (6.0 m) Maximum<br>$V_1 = 1$ ft. (305 mm) Minimum |        |                     |        |

Figure 4.12

# Top Vent - Horizontal Termination - (continued)

## Three Elbows



| V <sub>1</sub> Min.                                       |        | H <sub>1</sub> Max. |        | V <sub>2</sub> Min.   |        | H <sub>2</sub> Max. |        |
|---|--------|---------------------|--------|---|--------|---------------------|--------|
| Elbow only  |        | 2 ft.               | 610 mm | 0 in.   | 0 mm   | 1 ft.               | 305 mm |
| 6 in.   | 152 mm | 3 ft.               | 914 mm | 6 in.   | 152 mm | 2 ft.               | 610 mm |
| 1 ft.   | 305 mm | 6 ft.               | 1.8 m  | 1 ft.   | 305 mm | 6 ft.               | 1.8 m  |
| 2 ft.   | 610 mm | 11 ft.*             | 3.4 m* | 2 ft.   | 610 mm | 10 ft.*             | 3.1 m* |
| 3 ft.   | 914 mm | 16 ft.*             | 4.9 m* | 3 ft.   | 914 mm | 14 ft.*             | 4.3 m* |
| *H <sub>1</sub> + H <sub>2</sub> = 20 ft. (6.1 m) Maximum |        |                     |        | V <sub>1</sub> + V <sub>2</sub> + H <sub>1</sub> + H <sub>2</sub> = 40 ft. (12.2 m) Maximum |        |                     |        |

Figure 4.13

## Top Vent - Vertical Termination

### No Elbow

$V_1 = 60 \text{ ft. Max. (18.3 m)}$   
 $V_1 = 3 \text{ ft. Min. (914 mm)}$

**Note:** If installing a vertical vent/termination off the top of the appliance, the flue restrictor should be used.

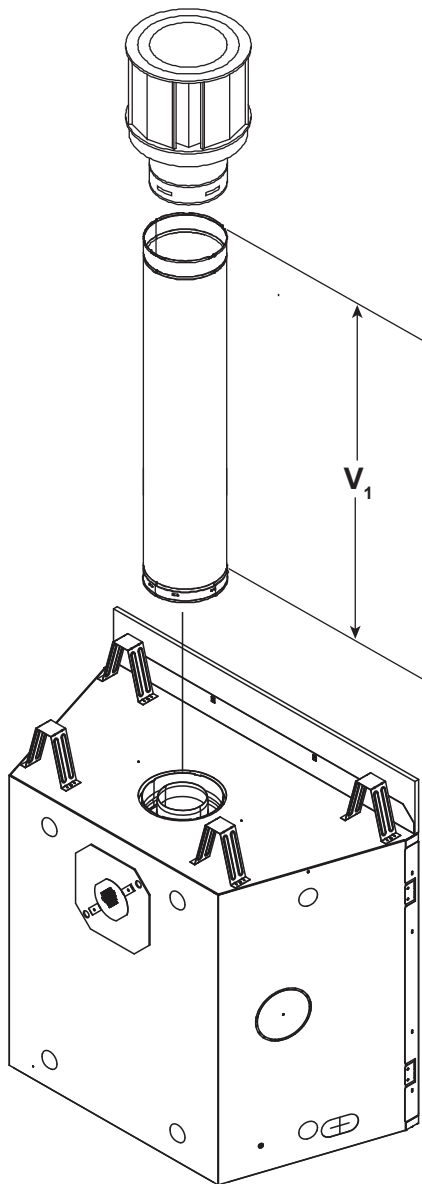


Figure 4.14

## Top Vent - Vertical Termination (continued)

### Flue Restrictor Instructions

1. Remove exhaust baffle using a 1/4 inch nut driver by removing the two screws securing it in place. See Figure 4.15.

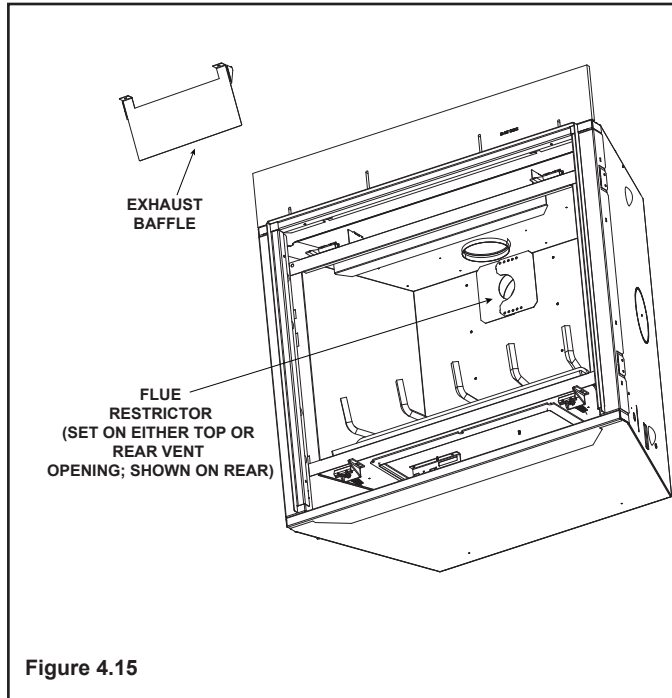


Figure 4.15

2. Match the amount of vertical you have in the system with the chart to find the appropriate position to set the flue restrictor. See Figure 4.16 and Table 4.1.
3. Center the two flue restrictor pieces on the vent at the setting selected in step 2 and secure in place by using two self-tapping screws. See Figure 4.16.
4. Reinstall the exhaust baffle.

| Vertical | TOP VENT |               | REAR VENT     |               |
|----------|----------|---------------|---------------|---------------|
|          | NG       | Propane       | NG            | Propane       |
| 10 ft.   | 1-1      | No Restrictor | No Restrictor | No Restrictor |
| 20 ft.   | 2-2      | 1-1           | 1-1           | No Restrictor |
| 30 ft.   | 3-3      | 2-2           | 2-2           | 1-1           |
| 40 ft.   | 3-3      | 3-3           | 3-3           | 2-2           |

Table 4.1

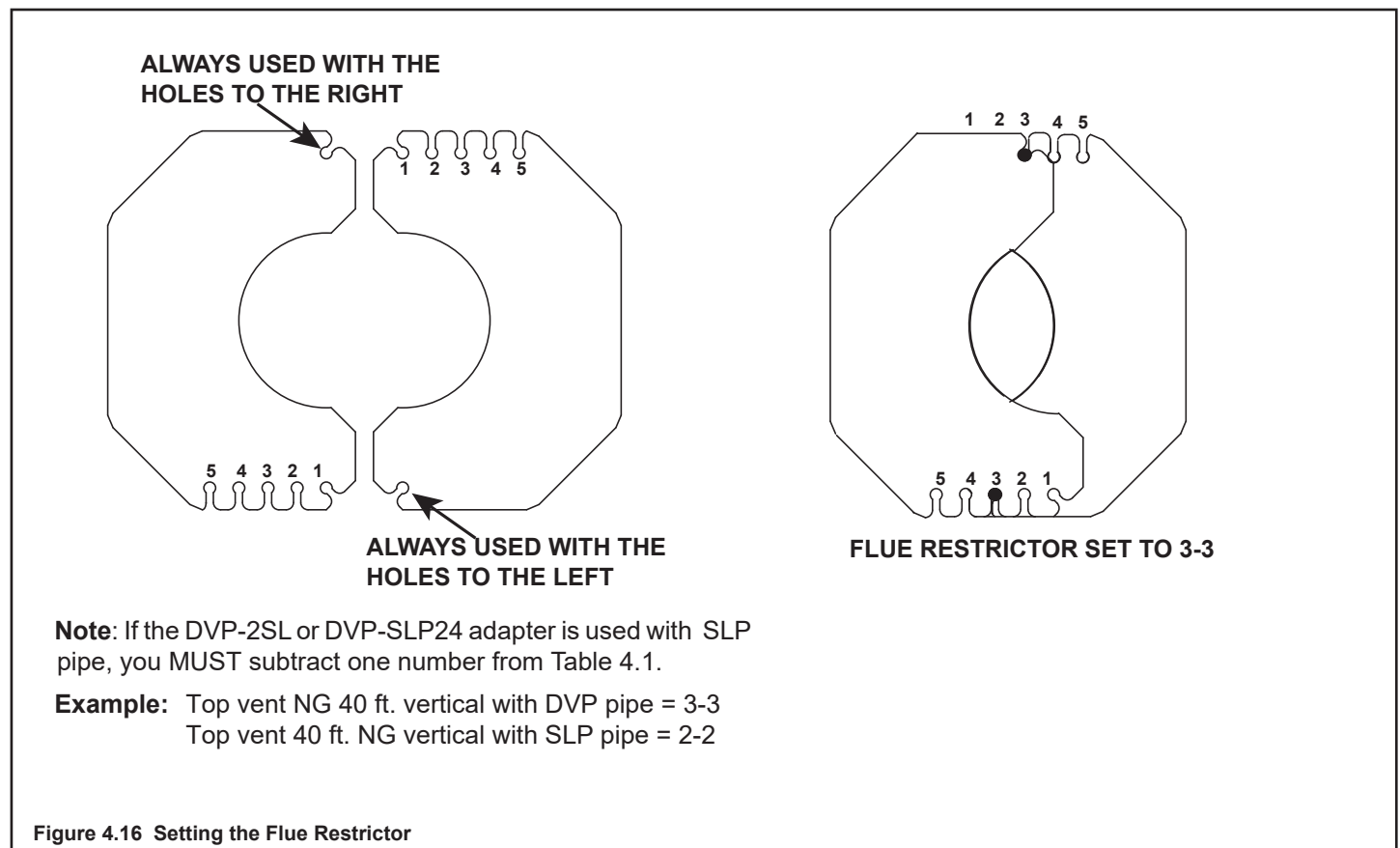


Figure 4.16 Setting the Flue Restrictor

# Top Vent - Vertical Termination - (continued)

## Two Elbows

| $V_1$      |        | $H_1$ Maximum |        | $V_2$ | $V_1 + V_2$ Min. |   |
|------------|--------|---------------|--------|-------|------------------|---|
| Elbow only |        | 2 ft.         | 610 mm | *     | *                | * |
| 6 in.      | 152 mm | 6 ft.         | 1.8 m  | *     | *                | * |
| 2 ft.      | 610 mm | 11 ft.        | 3.4 m  | *     | *                | * |
| 3 ft.      | 914 mm | 16 ft.        | 4.9 m  | *     | *                | * |
| 4 ft.      | 1.2 m  | 20 ft.        | 6.1 m  | *     | *                | * |

$V_1 + V_2 + H_1 = 40 \text{ ft. (12.2 m)}$  Maximum  
 \*No specific restrictions on this value EXCEPT  
 $V_1 + V_2 + H_1$  cannot exceed 40 ft. (12.2 m)

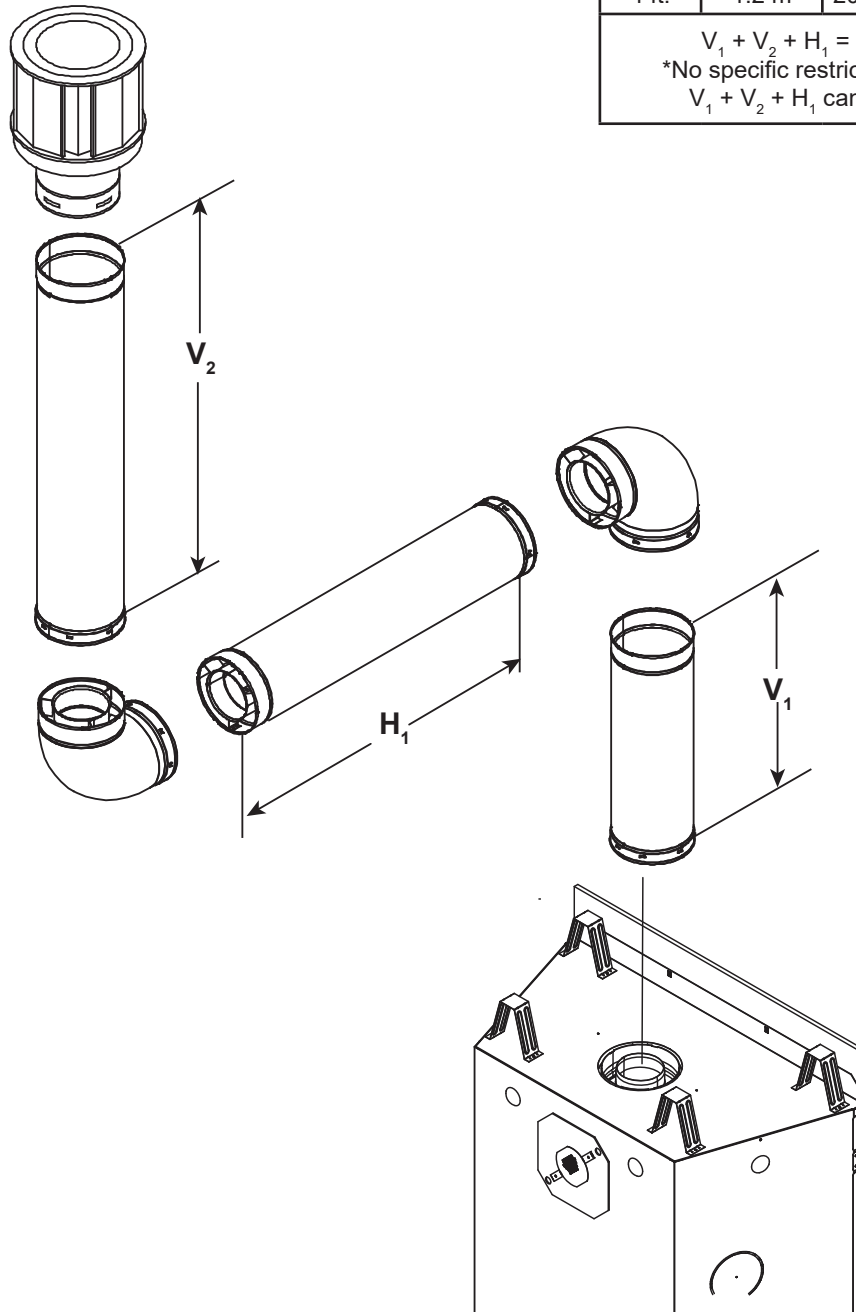


Figure 4.17



# Top Vent - Vertical Termination - (continued)

## Three Elbows

| V <sub>1</sub> |        | H <sub>1</sub> + H <sub>2</sub> |        | V <sub>2</sub> | V <sub>1</sub> + V <sub>2</sub> Minimum |   | H <sub>1</sub> + H <sub>2</sub> Maximum |        |
|----------------|--------|---------------------------------|--------|----------------|---|---|---|--------|
| Elbow only     |        | 1 ft.                           | 305 mm | *              | *                                       | * | 1 ft.                                   | 305 mm |
| 6 in.          | 152 mm | 2 ft.                           | 610 mm | *              | *                                       | * | 2 ft.                                   | 610 mm |
| 1 ft.          | 305 mm | 2 ft.                           | 610 mm | *              | *                                       | * | 2 ft.                                   | 610 mm |
| 2 ft.          | 610 mm | 4 ft.                           | 1.2 m  | *              | *                                       | * | 4 ft.                                   | 1.2 m  |
| 3 ft.          | 914 mm | 9 ft.                           | 2.7 m  | *              | *                                       | * | 9 ft.                                   | 2.7 m  |
| 4 ft.          | 1.2 m  | 18 ft.                          | 5.5 m  | *              | *                                       | * | 18 ft.                                  | 5.5 m  |

$H_1 + H_2 = 20 \text{ ft. (6.1 m) Maximum}$        $V_1 + V_2 + H_1 + H_2 = 40 \text{ ft. (12.2 m) Maximum}$   
 \*No specific restrictions on this value EXCEPT  $V_1 + V_2 + H_1 + H_2$  cannot exceed 40 ft. (12.2 m).

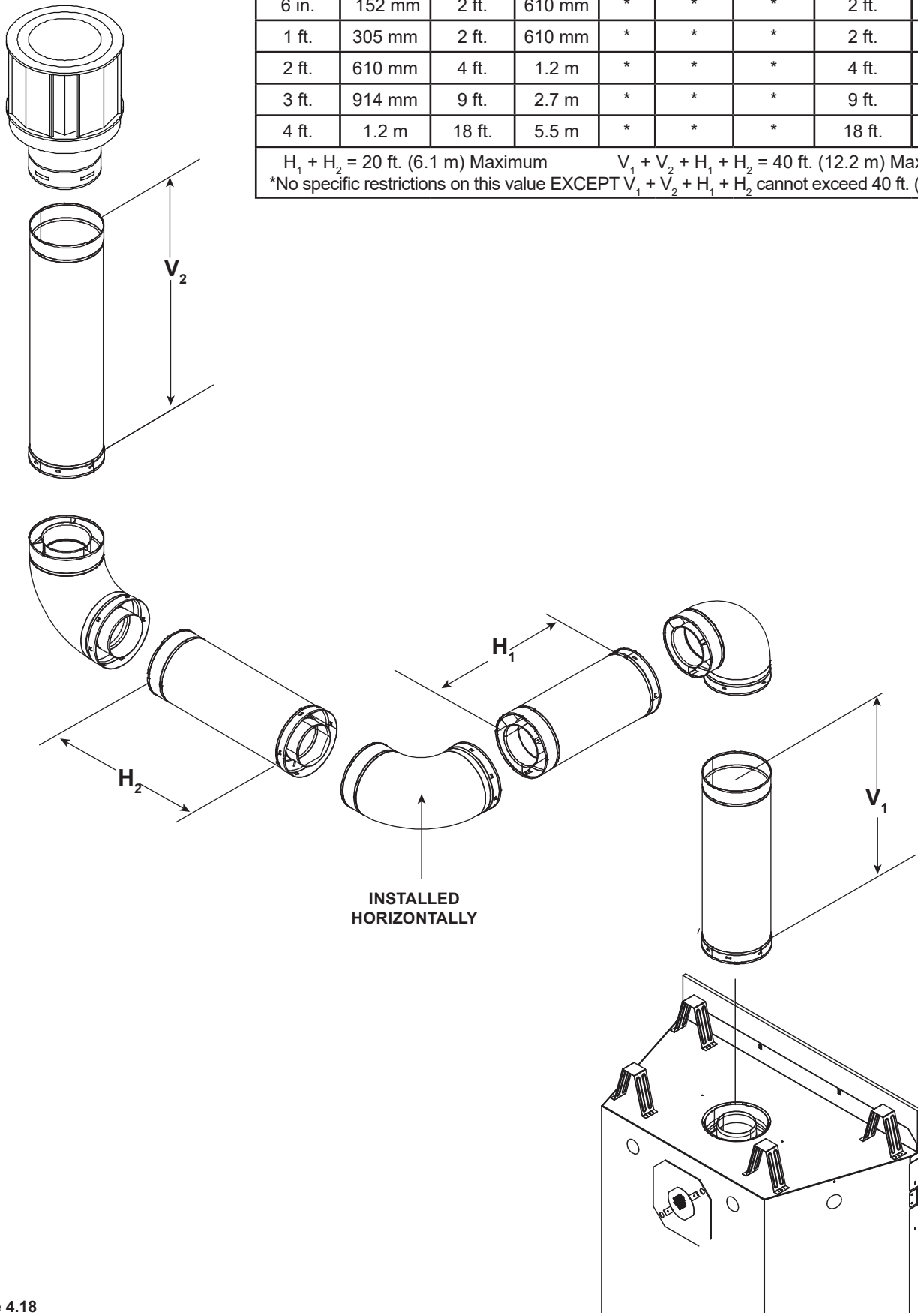


Figure 4.18

## Rear Vent - Horizontal Termination

No Elbow

$H_1 = 16 \text{ in. (406 mm) Maximum}$

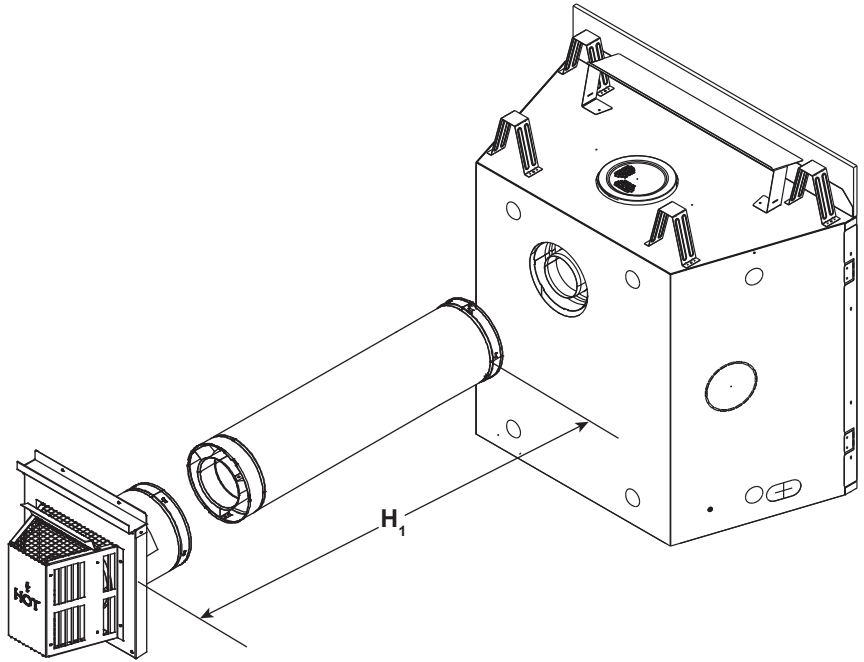


Figure 4.19

## Rear Vent - Horizontal Termination - (continued)

### Two Elbows

| H <sub>1</sub> Maximum |        | V <sub>1</sub> Minimum  |        | H <sub>2</sub> |        | H <sub>1</sub> + H <sub>2</sub> Maximum |        |
|------------------------|--------|-------------------------|--------|----------------|--------|---|--------|
| 1 ft.                  | 305 mm | Back to Back 90° Elbows |        | 1 ft.          | 305 mm | 2 ft.                                   | 610 mm |
| 2 ft.                  | 610 mm | 6 in.                   | 152 mm | 2 ft.          | 610 mm | 4 ft.                                   | 1.2 m  |
| 3 ft.                  | 914 mm | 1 ft.                   | 305 mm | 2 ft.          | 610 mm | 5 ft.                                   | 1.5 m  |
| 3 ft.                  | 914 mm | 2 ft.                   | 610 mm | 4 ft.          | 1.2 m  | 7 ft.                                   | 2.1 m  |
| 3 ft.                  | 914 mm | 3 ft.                   | 914 mm | 9 ft.          | 2.7 m  | 12 ft.                                  | 3.7 m  |
| 3 ft.                  | 914 mm | 4 ft.                   | 1.2 m  | 17 ft.         | 5.2 m  | 20 ft.*                                 | 6.1 m* |

$V_1 + H_1 + H_2 = 40 \text{ ft. (12.2 m) Maximum}$      $H_1 = 3 \text{ ft. (914 mm) Maximum}$   
 $*H_1 + H_2 = 20 \text{ ft. (6.1 m) Maximum}$

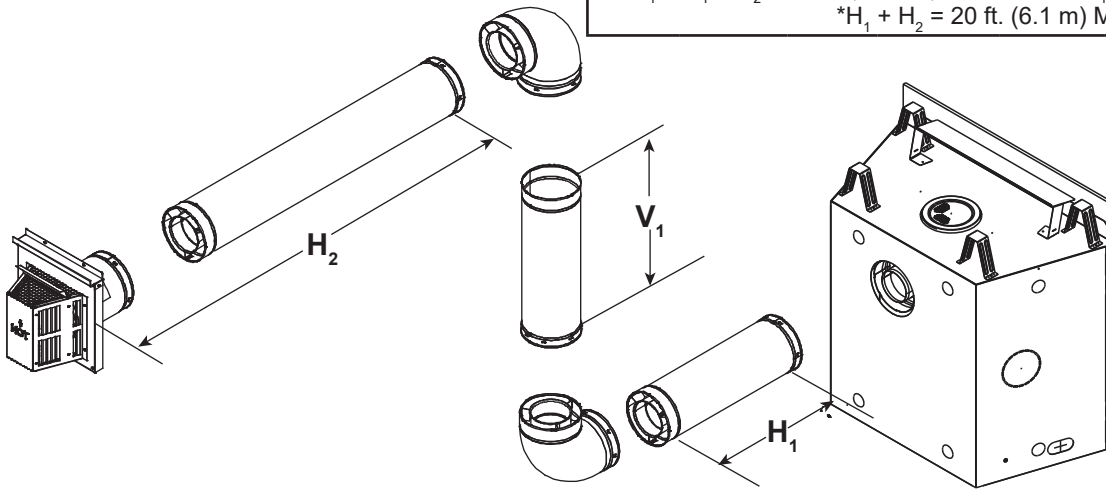


Figure 4.20

### Three Elbows

| H <sub>1</sub> Maximum |        | V <sub>1</sub> Minimum  |        | H <sub>2</sub> + H <sub>3</sub> |        | H <sub>1</sub> + H <sub>2</sub> + H <sub>3</sub> Max. |        |
|------------------------|--------|-------------------------|--------|---------------------------------|--------|---|--------|
| 6 in.                  | 152 mm | Back to Back 90° Elbows |        | 6 in.                           | 152 mm | 1 ft.   | 305 mm |
| 1 ft.                  | 305 mm | 6 in.                   | 152 mm | 1 ft.                           | 305 mm | 2 ft.   | 610 mm |
| 2 ft.                  | 610 mm | 1 ft.                   | 305 mm | 1.5 ft.                         | 457 mm | 3.5 ft.   | 1.1 m  |
| 3 ft.                  | 914 mm | 2 ft.                   | 610 mm | 2 ft.                           | 610 mm | 5 ft.   | 1.5 m  |
| 3 ft.                  | 914 mm | 3 ft.                   | 914 mm | 4 ft.                           | 1.2 m  | 7 ft.   | 2.1 m  |
| 3 ft.                  | 914 mm | 4 ft.                   | 1.2 m  | 9 ft.                           | 2.7 m  | 12 ft.  | 3.7 m  |
| 3 ft.                  | 914 mm | 5 ft.                   | 1.5 m  | 12 ft.                          | 3.7 m  | 15 ft.  | 4.6 m  |

$V_1 + H_1 + H_2 + H_3 = 40 \text{ ft. (12.2 m) Maximum}$      $H_1 = 3 \text{ ft. (914 mm) Maximum}$   
 $H_1 + H_2 + H_3 = 20 \text{ ft. (6.1 m) Maximum}$

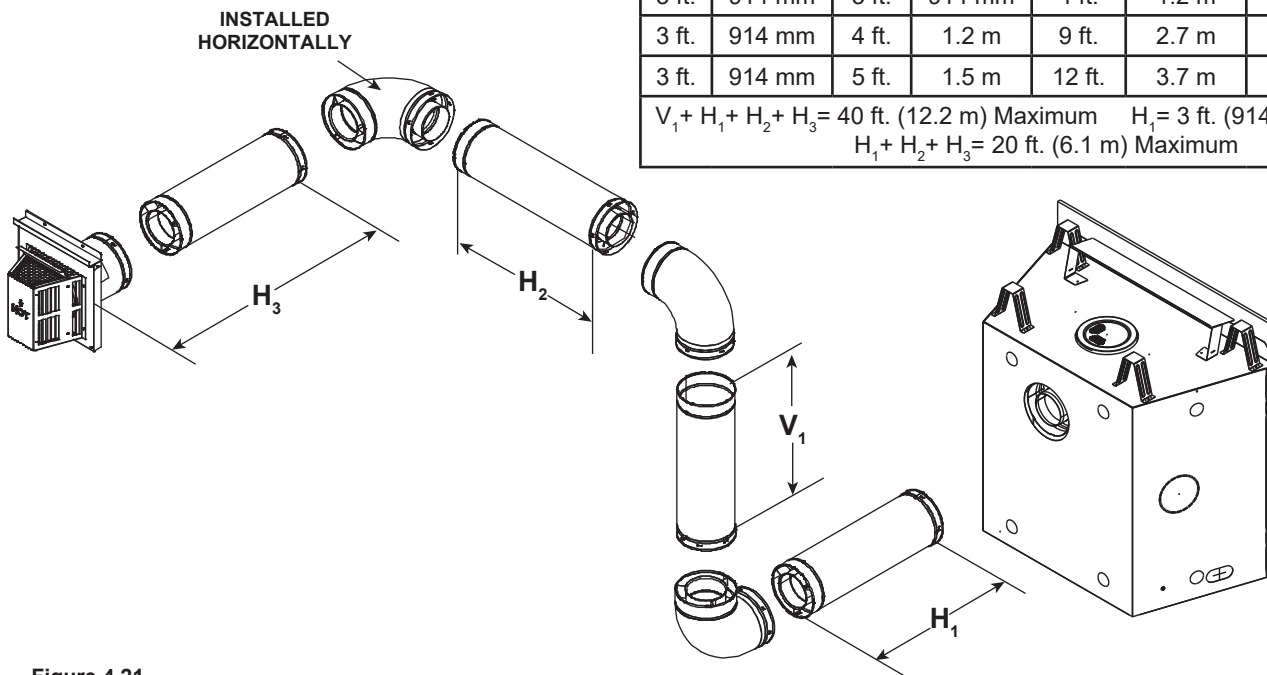
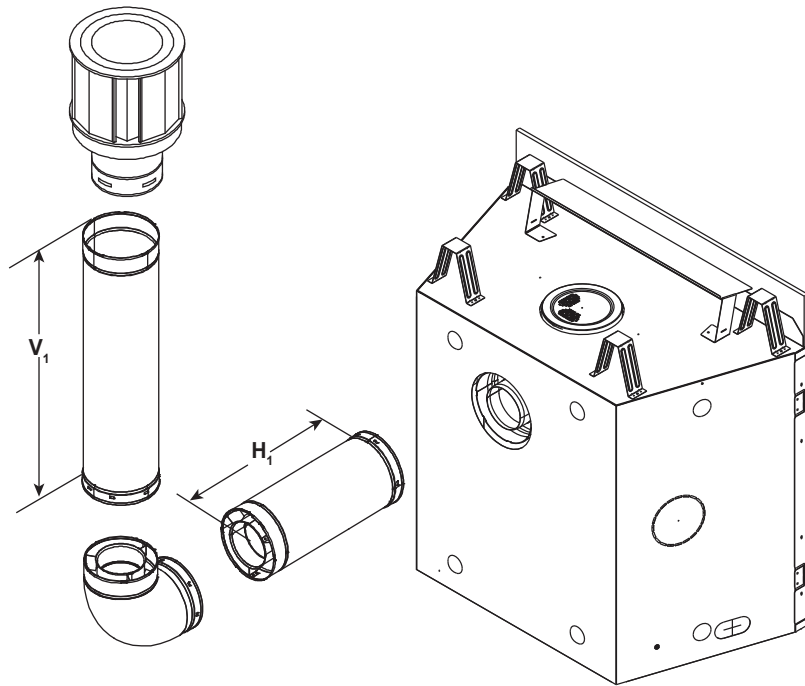


Figure 4.21

## Rear Vent - Vertical Termination

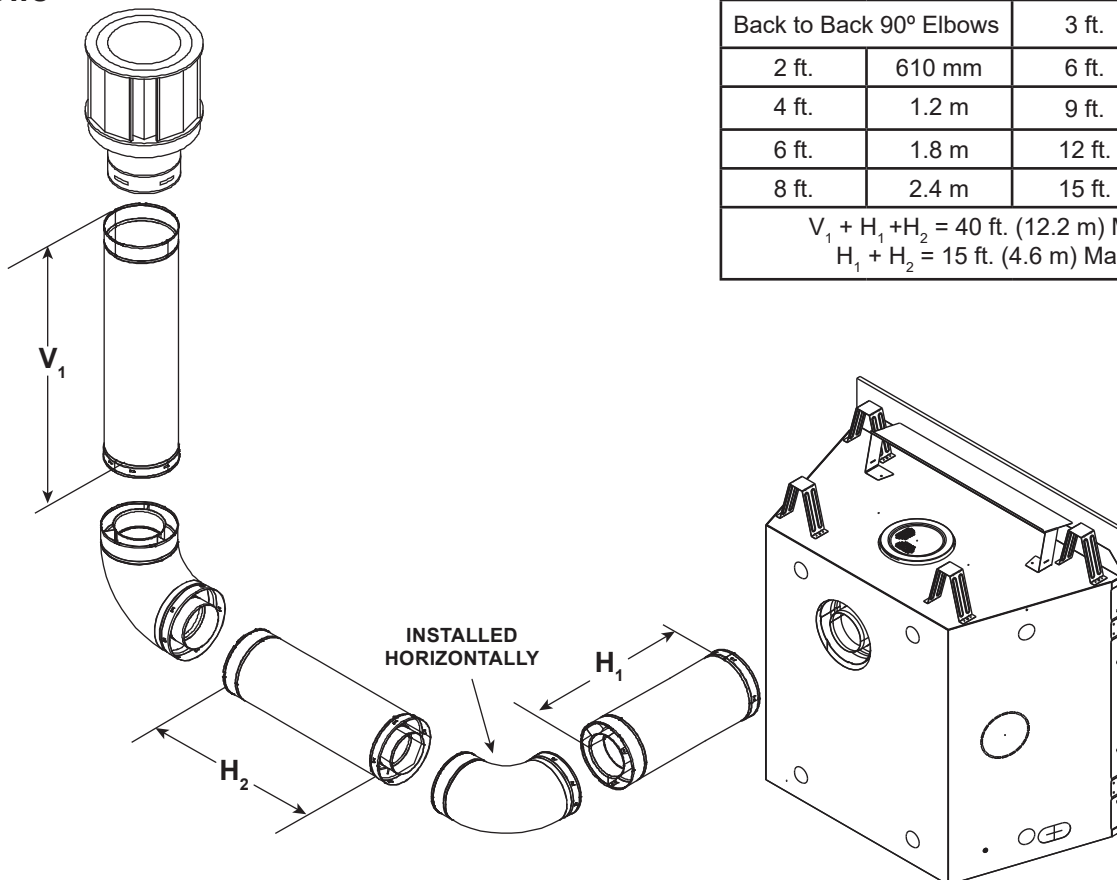
### One Elbow



| V <sub>1</sub> Minimum                                    |        | H <sub>1</sub> Maximum |        |
|---|--------|------------------------|--------|
| 6 in.   | 152 mm | 2 ft.                  | 610 mm |
| 1 ft.   | 305 mm | 3 ft.                  | 914 mm |
| 2 ft.   | 610 mm | 5 ft.                  | 1.5 m  |
| 3 ft.   | 914 mm | 7 ft.                  | 2.1 m  |
| 4 ft.   | 1.2 m  | 8 ft.                  | 2.4 m  |
| 5 ft.   | 1.5 m  | 8 ft.                  | 2.4 m  |
| V <sub>1</sub> + H <sub>1</sub> = 40 ft. (12.2 m) Maximum |        |                        |        |
| H <sub>1</sub> = 8 ft. (2.4 m) Maximum                    |        |                        |        |

Figure 4.22

### Two Elbows

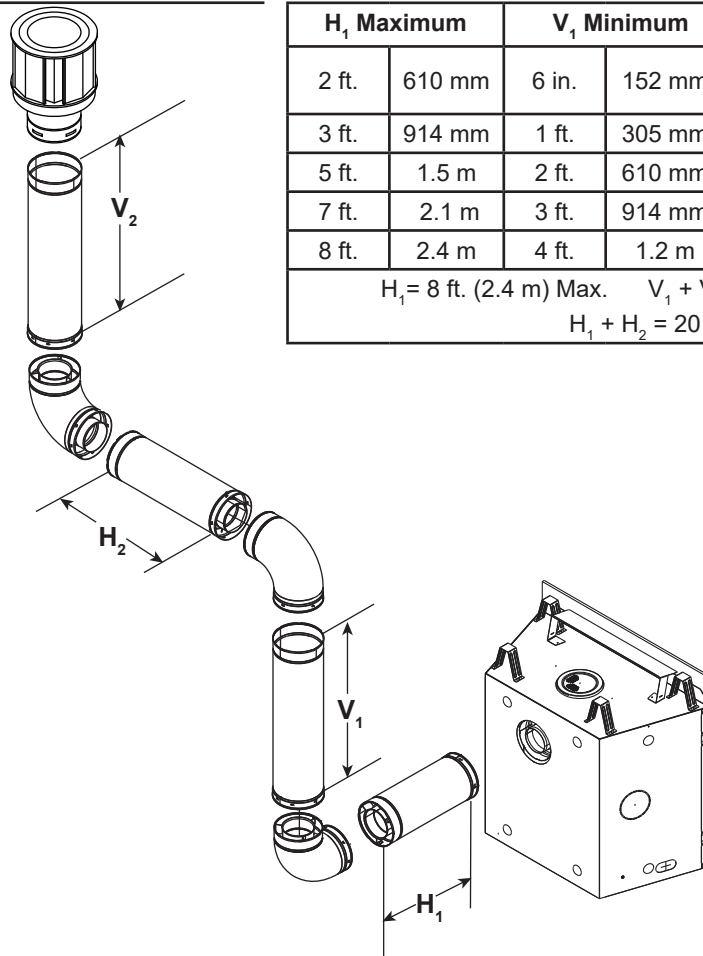


| V <sub>1</sub> Minimum   |        | H <sub>1</sub> + H <sub>2</sub> Maximum |        |
|--|--------|---|--------|
| Back to Back 90° Elbows  |        | 3 ft.                                   | 914 mm |
| 2 ft.  | 610 mm | 6 ft.                                   | 1.8 m  |
| 4 ft.  | 1.2 m  | 9 ft.                                   | 2.7 m  |
| 6 ft.  | 1.8 m  | 12 ft.                                  | 3.7 m  |
| 8 ft.  | 2.4 m  | 15 ft.                                  | 4.6 m  |
| V <sub>1</sub> + H <sub>1</sub> + H <sub>2</sub> = 40 ft. (12.2 m) Maximum |        |   |        |
| H <sub>1</sub> + H <sub>2</sub> = 15 ft. (4.6 m) Maximum                   |        |   |        |

Figure 4.23

## Rear Vent - Vertical Termination - (continued)

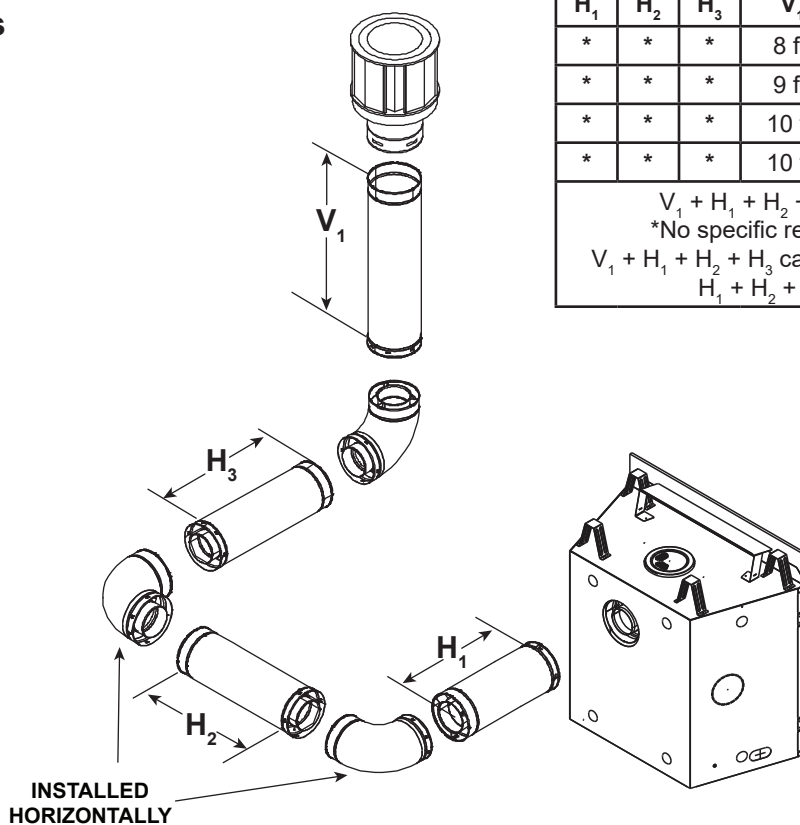
### Three Elbows



| H <sub>1</sub> Maximum   |        | V <sub>1</sub> Minimum |        | H <sub>2</sub> |        | H <sub>1</sub> + H <sub>2</sub> Maximum |       |
|--|--------|------------------------|--------|----------------|--------|---|-------|
| 2 ft.  | 610 mm | 6 in.                  | 152 mm | 2 ft.          | 610 mm | 4 ft.                                   | 1.2 m |
| 3 ft.  | 914 mm | 1 ft.                  | 305 mm | 4 ft.          | 1.2 m  | 7 ft.                                   | 2.1 m |
| 5 ft.  | 1.5 m  | 2 ft.                  | 610 mm | 6 ft.          | 1.8 m  | 11 ft.                                  | 3.4 m |
| 7 ft.  | 2.1 m  | 3 ft.                  | 914 mm | 8 ft.          | 2.4 m  | 15 ft.                                  | 4.6 m |
| 8 ft.  | 2.4 m  | 4 ft.                  | 1.2 m  | 10 ft.         | 3.1 m  | 18 ft.                                  | 5.5 m |
| H <sub>1</sub> = 8 ft. (2.4 m) Max.    V <sub>1</sub> + V <sub>2</sub> + H <sub>1</sub> + H <sub>2</sub> = 40 ft. (12.2 m) Max.<br>H <sub>1</sub> + H <sub>2</sub> = 20 ft. (6.1 m) Max. |        |                        |        |                |        |   |       |

Figure 4.24

### Three Elbows



| H <sub>1</sub>   | H <sub>2</sub> | H <sub>3</sub> | V <sub>1</sub> Minimum |       | H <sub>1</sub> + H <sub>2</sub> + H <sub>3</sub> Maximum |       |
|--|----------------|----------------|------------------------|-------|--|-------|
| *  | *              | *              | 8 ft.                  | 2.4 m | 6 ft.  | 1.8 m |
| *  | *              | *              | 9 ft.                  | 2.7 m | 7 ft.  | 2.1 m |
| *  | *              | *              | 10 ft.                 | 3.1 m | 8 ft.  | 2.4 m |
| *  | *              | *              | 10 ft.                 | 3.1 m | 8 ft.  | 2.4 m |
| V <sub>1</sub> + H <sub>1</sub> + H <sub>2</sub> + H <sub>3</sub> = 40 ft. (12.2 m) Maximum<br>*No specific restrictions on this value EXCEPT<br>V <sub>1</sub> + H <sub>1</sub> + H <sub>2</sub> + H <sub>3</sub> cannot exceed 40 ft. (12.2 m) Maximum<br>H <sub>1</sub> + H <sub>2</sub> + H <sub>3</sub> = 8 ft. (2.4 m) Maximum |                |                |                        |       |  |       |

Figure 4.25

# 5 Vent Clearances and Framing

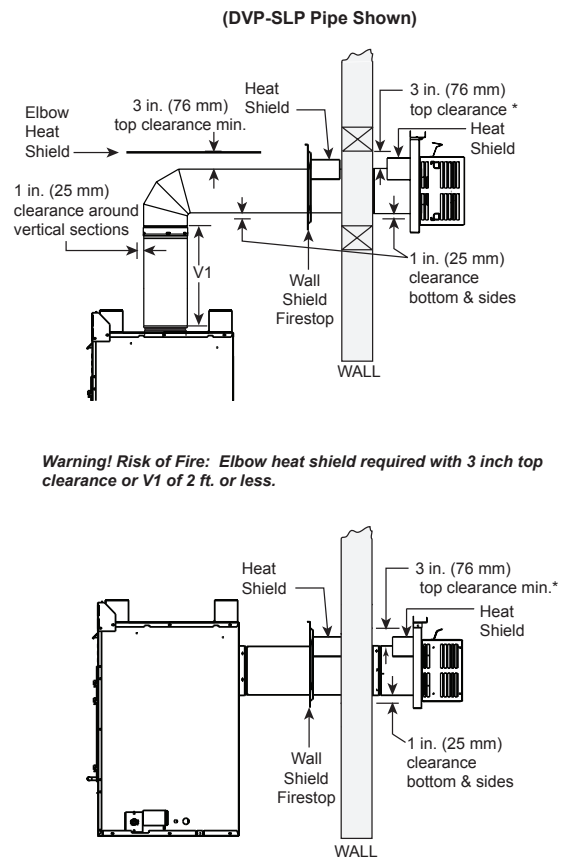
## A. Pipe Clearances to Combustibles

**WARNING! Risk of Fire! Maintain air space clearance to vent. DO NOT pack insulation or other combustibles:**

- Between ceiling firestops
- Between wall shield firestops
- Around vent system

Failure to keep insulation or other material away from vent pipe could cause overheating and fire.

Note: Heat shields MUST overlap by a minimum of 1-1/2 in. (38 mm).  
 • **DVP heat shield** - designed to be used on a wall 4 in. to 7-1/4 in. (102 mm to 184 mm) thick.  
 • If wall thickness is less than 4 in. the existing heat shields must be field trimmed. If wall thickness is greater than 7-1/4 in. a DVP-HSM-B will be required.  
 • **SLP heat shield** - designed to be used on a wall 4-3/8 in. to 7-5/8 in. (111 mm to 194 mm) thick.  
 • If wall thickness is less than 4-3/8 the existing heat shields must be field trimmed. If wall thickness is greater than 7-5/8 in. a DVP-HSM-B will be required.

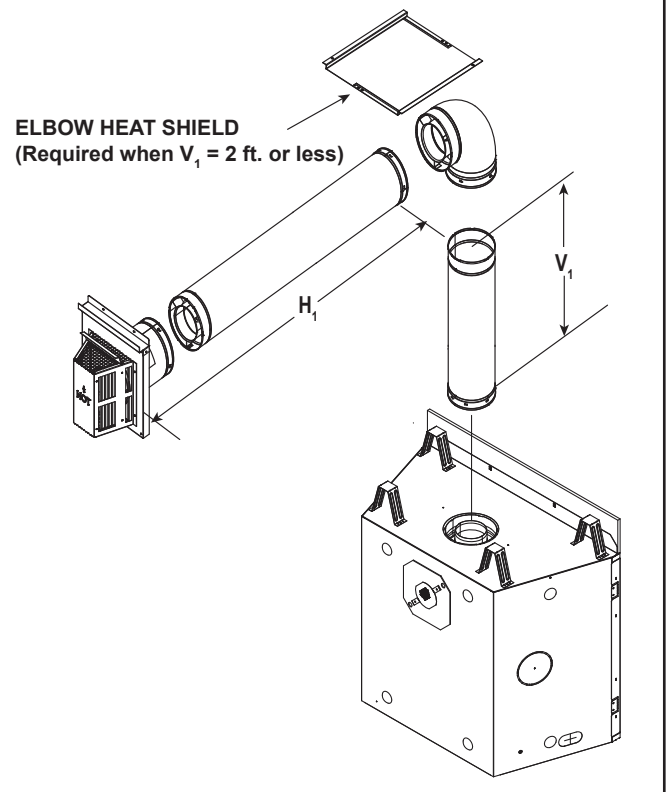


**Warning! Risk of Fire: Elbow heat shield required with 3 inch top clearance or V1 of 2 ft. or less.**

\* When using SLP pipe, minimum clearances from the vent pipe to combustible materials at inside wall firestops are:  
 Top: 2-1/2 in. (64 mm)  
 Bottom: 1/2 in. (13 mm)  
 Sides: 1 in. (25 mm)

**Figure 5.1 Horizontal Venting Clearances To Combustible Materials**

**WARNING! Risk of Fire! Elbow heat shield required when  $V_1 = 2$  ft. or less. Clearances to combustibles must be maintained. See Section 5.A.**



**Figure 5.2 Elbow Heat Shield Requirements**

## B. Wall Penetration Framing/Firestops

### Combustible Wall Penetration

Whenever a combustible wall is penetrated, you must frame a hole for the wall shield firestop(s). The wall shield firestop maintains minimum clearances and prevents cold air infiltration.

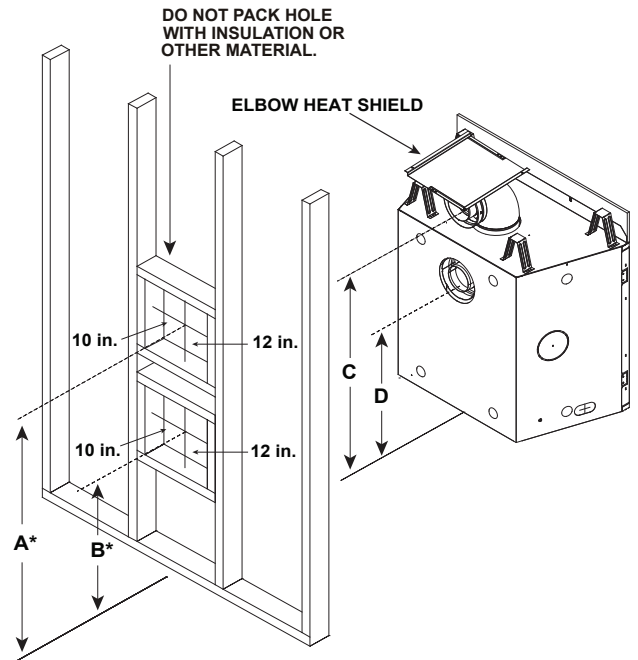
- The opening must be framed on all four sides using the same size framing materials as those used in the wall construction.
- SLP pipe - A wall shield firestop must be placed on each side of an interior wall. A minimum 1-1/2 in. (38 mm) overlap of attached heat shields must be maintained.
- DVP pipe - A wall shield firestop is required on one side only on interior walls. If your local inspector requires a wall shield firestop on both sides, then both wall shield firestops must have a heat shield (refer to Section 12.A.) attached to them.
- See Section 7.F for information for regarding the installation of a horizontal termination cap.

### Non-Combustible Wall Penetration

If the hole being penetrated is surrounded by non-combustible materials such as concrete, a hole with diameter one inch greater than the pipe is acceptable.

Whenever a non-combustible wall is penetrated, the wall shield firestop is only required on one side and no heat shield is necessary.

**WARNING! Risk of Fire!** Elbow heat shield required when  $V_1 = 2$  ft. or less. Clearances to combustibles must be maintained. See Section 5.A.



|                 |     | A*     | B*     | C      | D      |
|-----------------|-----|--------|--------|--------|--------|
| MERIDPLA36IN/IL | in. | 42-3/4 | 27-7/8 | 41-3/4 | 26-7/8 |
|                 | mm  | 1086   | 708    | 1060   | 683    |
| MERIDPLA42IN/IL | in. | 45-1/8 | 29-7/8 | 44-1/8 | 28-7/8 |
|                 | mm  | 1146   | 759    | 1121   | 733    |

\* Shows center of vent framing hole for top or rear venting. The center of the hole is one (1) in. (25 mm) above the center of the horizontal vent pipe.

Figure 5.3 Wall Penetration

### C. Ceiling Firestop/Floor Penetration Framing

A ceiling firestop **MUST** be used between floors and attics.

- **DVP pipe only** - Frame an opening 10 in. by 10 in. (254 mm by 254 mm) whenever the vent penetrates a ceiling/floor (see Figure 5.4).
- **SLP pipe only** - Frame opening 9 in. x 9 in. (229 mm x 229 mm) whenever the vent penetrates a ceiling/floor (see Figure 5.4).
- Frame the area with the same sized lumber as used in ceiling/floor joist.
- The ceiling firestop may be installed above or below the ceiling joists when installed with an attic insulation shield. It must be under joists between floors that are not insulated. Refer to Figure 5.5.
- Secure in place with nails or screws.

**WARNING! Risk of Fire! DO NOT pack insulation around the vent. Insulation must be kept back from the pipe to prevent overheating.**

### D. Install Attic Insulation Shield

**WARNING! Fire Risk. DO NOT allow loose materials or insulation to touch vent. Hearth & Home Technologies requires the use of an attic shield.**

The International Fuel Gas Code requires an attic shield constructed of 26 gauge minimum steel that extends at least 2 in. (51 mm) above insulation.

- Attic insulation shields must meet specified clearances to combustible materials and be secured in place.
- An attic insulation shield kit is available from Hearth & Home Technologies. Contact your dealer to order. Install attic insulation shield according to instructions included with kit.

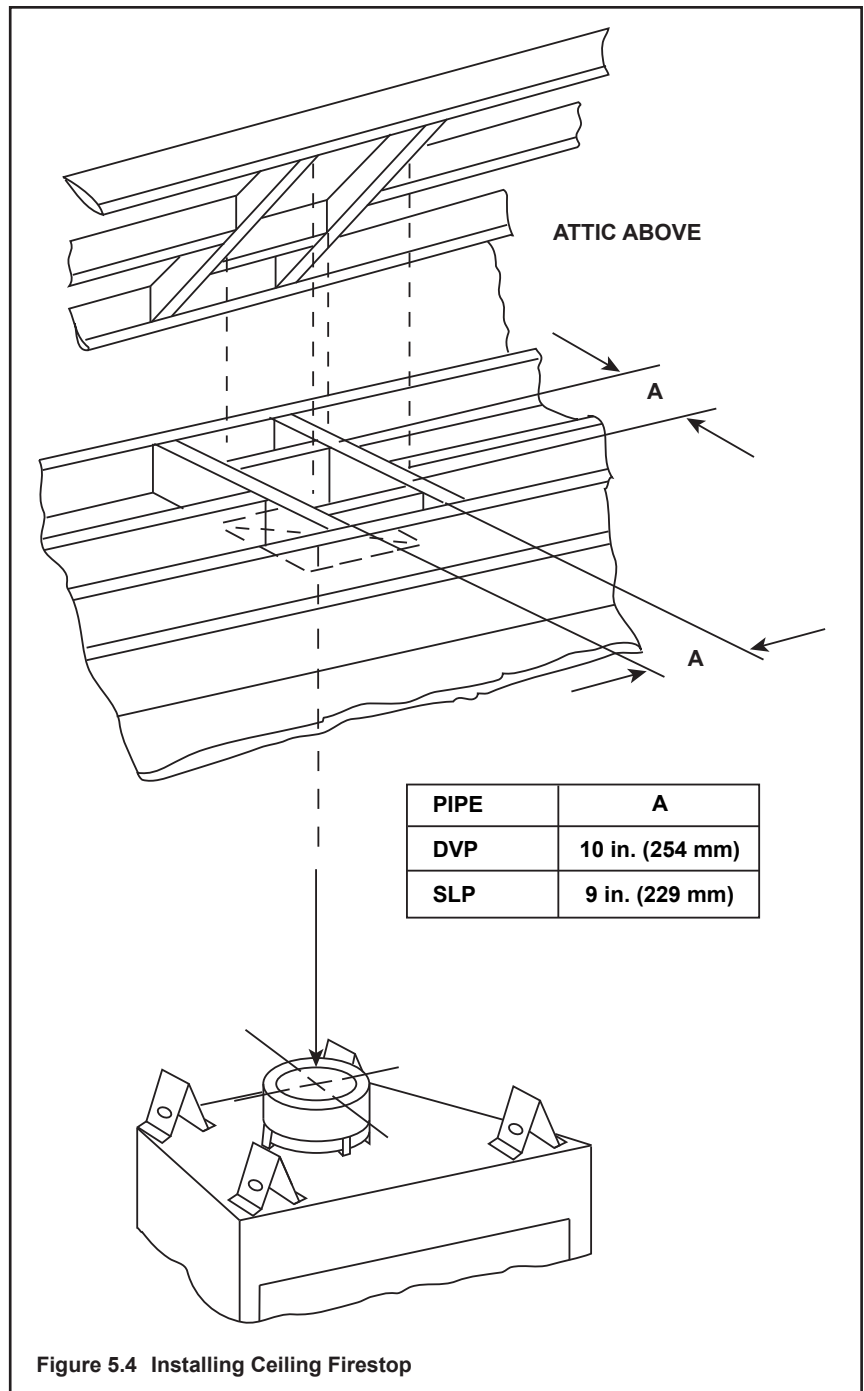


Figure 5.4 Installing Ceiling Firestop

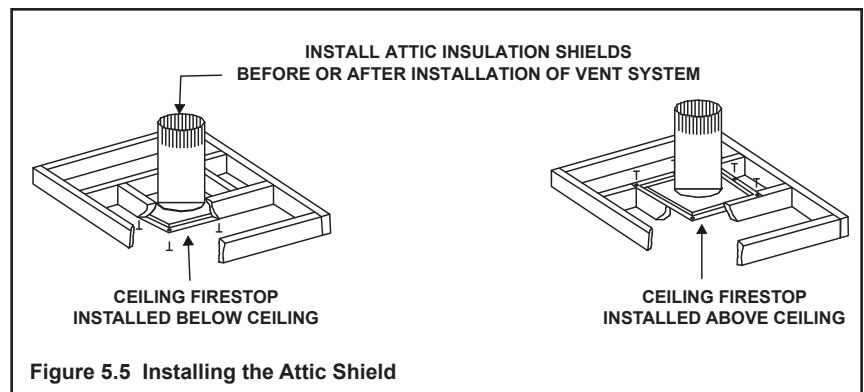


Figure 5.5 Installing the Attic Shield



# 6 Appliance Preparation

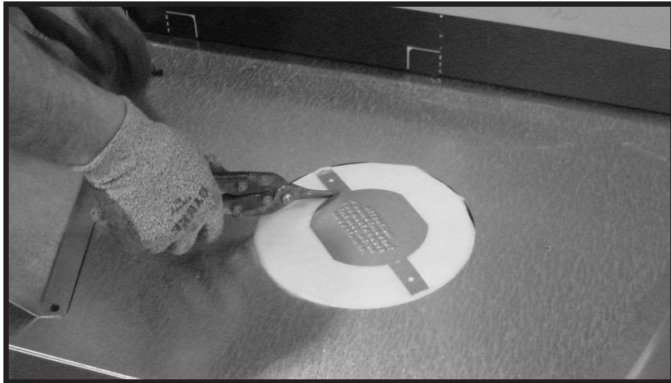
## A. Vent Collar Preparation

**CAUTION! Risk of Cuts, Abrasions or Flying Debris.** Wear protective gloves and safety glasses during installation. Sheet metal edges are sharp.

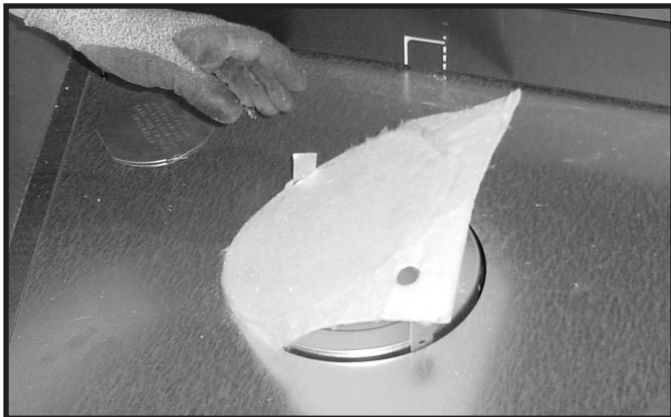
**NOTICE:** Once appliance is set up for top or rear venting, it CANNOT be changed at a later time.

### Top Vent

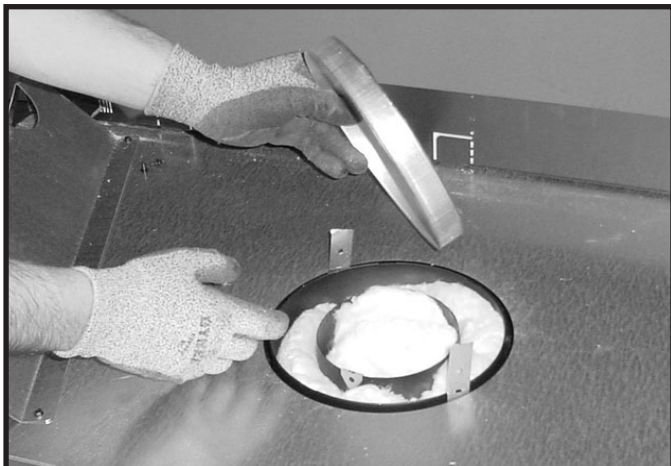
**Note:** Instructions for rear vented models on next page.



**Figure 6.1 (Generic Fireplace Shown)** Cut the seal cap across the strap across the rectangles next to the disk.



**Figure 6.2 (Generic Fireplace Shown)** Remove the white gasket material covering the seal cap.

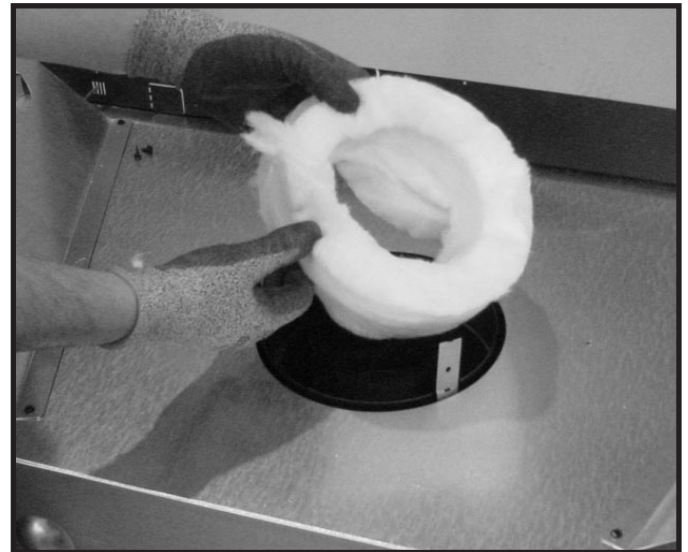


**Figure 6.3 (Generic Fireplace Shown)** Remove the seal cap.

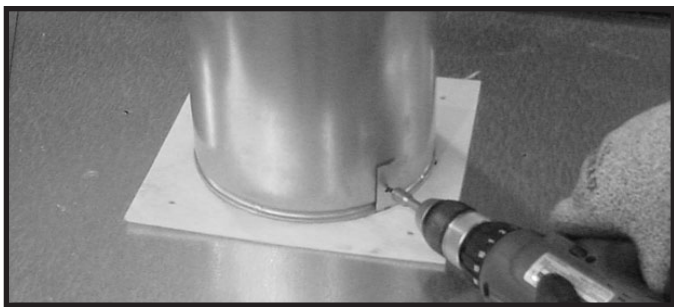
**NOTICE:** Once the seal cap has been removed it CANNOT be reattached.



**Figure 6.4 (Generic Fireplace Shown)** Remove the insulation basket and white insulation from the center vent pipe.



**Figure 6.5 (Generic Fireplace Shown)** Remove the insulation from the outer vent pipe.



**Figure 6.6 (Generic Fireplace Shown)** To attach the first section of vent pipe, make sure to use the fiberglass gasket in the manual bag to seal between the first vent component and the outer fireplace wrap. Use 2 self tapping screws to secure the gasket to the outer wrap.

Secure the first section of venting to the fireplace by screwing through the two straps left over from cutting the seal cap strap in step 2.

### Rear Vent

**CAUTION! Risk of Cuts, Abrasions or Flying Debris.** Wear protective gloves and safety glasses during installation. Sheet metal edges are sharp.

**NOTICE:** Once appliance is set up for top or rear venting, it CANNOT be changed at a later time.

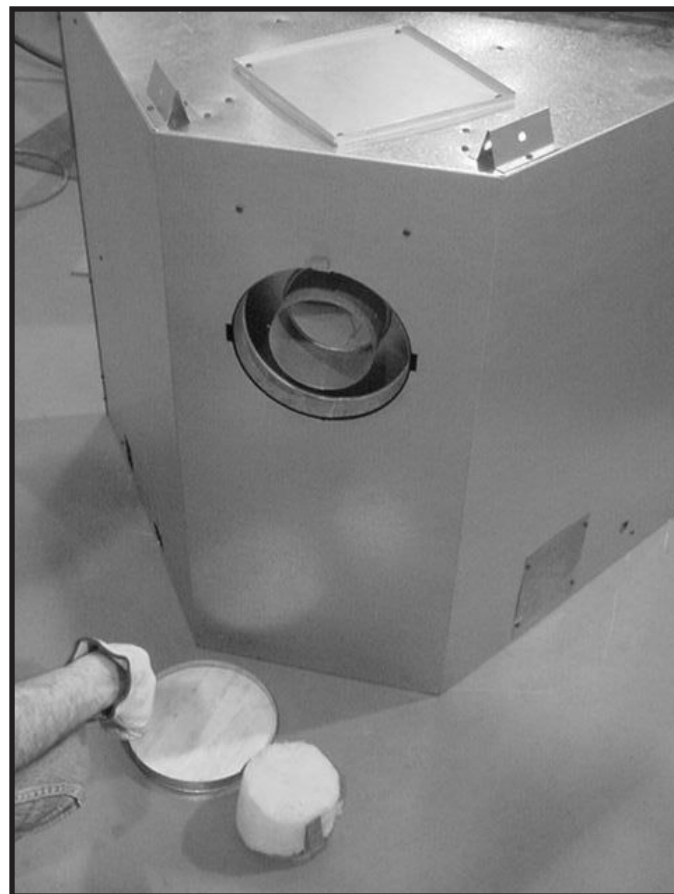


**Figure 6.7 (Generic Fireplace Shown)** Cut the metal retaining band and fold the sides out.

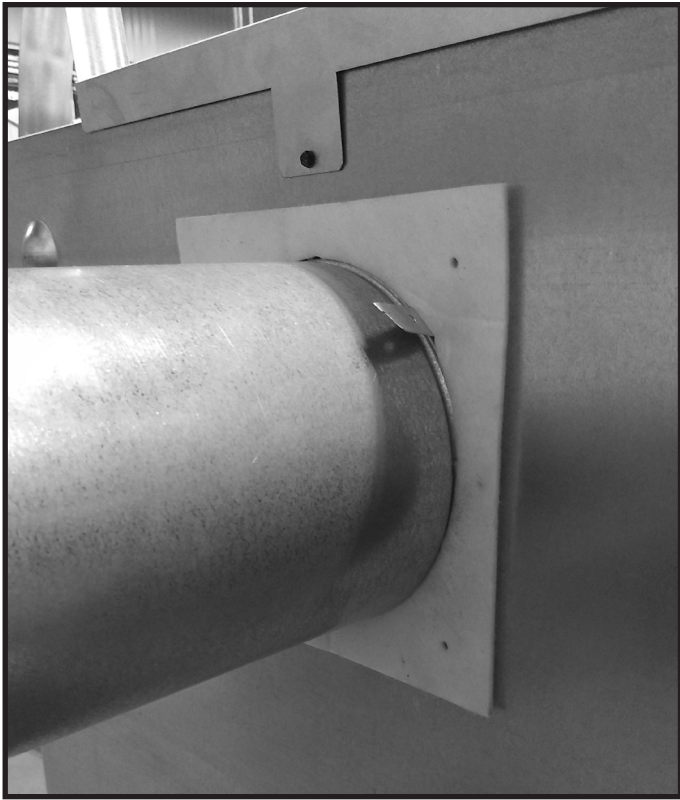


**Figure 6.8 (Generic Fireplace Shown)** Fold the center parts of the retaining band out and use to remove the seal cap.

**NOTICE:** Once the seal cap has been removed it CANNOT be reattached.



**Figure 6.9 (Generic Fireplace Shown)** Discard the vent cap, remove and discard the insulation basket.



**Figure 6.10 (Generic Fireplace Shown)** Attach the first vent section (it will snap into place). Slide the insulation gasket (shipped in the manual bag) onto the vent section, up against the appliance and over the tabs.

## B. Installing Optional Heat Management Systems

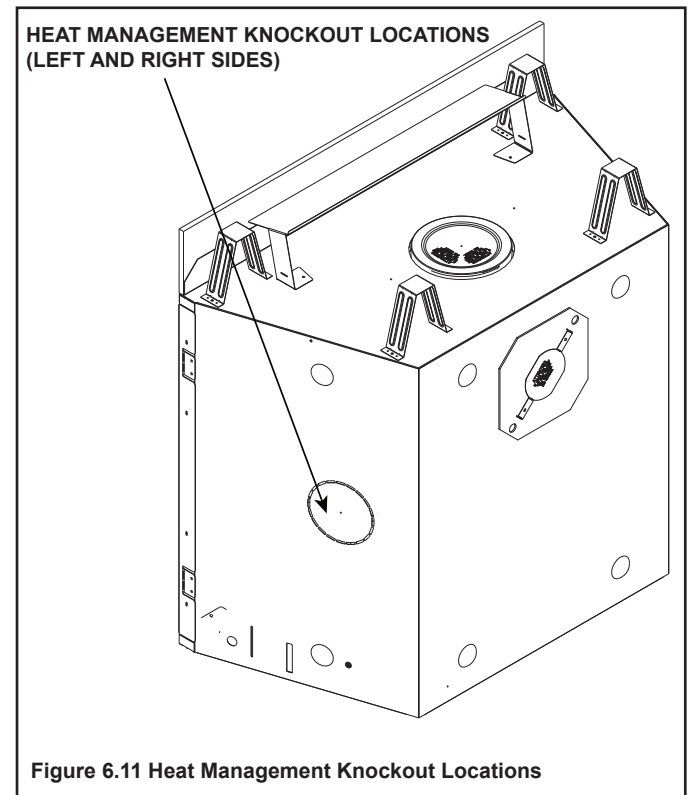
**NOTICE:** Additional clearances are required for heat management systems installations. Provisions must be made in advance to ensure fit within the framing.

- Locate the heat management ports on the left and right sides of the appliance. Either one or two Heat-Zone® -Gas Kits may be installed. Remove the knockout from the fireplace and discard it. See Figure 6.11.
- Center the duct collar around the exposed hole and attach it to the fireplace with 3 screws.

**Note:** Do this BEFORE final positioning of fireplace.

- Determine the location for the air register/fan housing assembly.

Reference the appropriate instructions included with the kit for the remaining installation steps.



**Figure 6.11 Heat Management Knockout Locations**



## C. Securing and Leveling the Appliance

**WARNING! Risk of Fire! Prevent contact with:**

- Sagging or loose insulation
- Insulation backing or plastic
- Framing and other combustible materials

Block openings into the chase to prevent entry of blown-in insulation. Make sure insulation and other materials are secured.

**DO NOT** notch the framing around the appliance standoffs.

Failure to maintain air space clearance could cause overheating and fire.

The diagram shows how to properly square and position, and secure the appliance. See Figures 6.12 and 6.13. Nailing tabs are provided to secure the appliance to the framing members.

- Bend out nailing tabs on each side.
- Place the appliance into position.
- Keep nailing tabs flush with the framing.
- Level the appliance from side to side and front to back.
- Shim the appliance as necessary. It is acceptable to use wood shims underneath the appliance.
- Secure the appliance to the framing by using nails or screws through the nailing tabs.
- Optional: Secure the appliance to the floor by inserting two screws through the pilot holes at the bottom of the appliance.

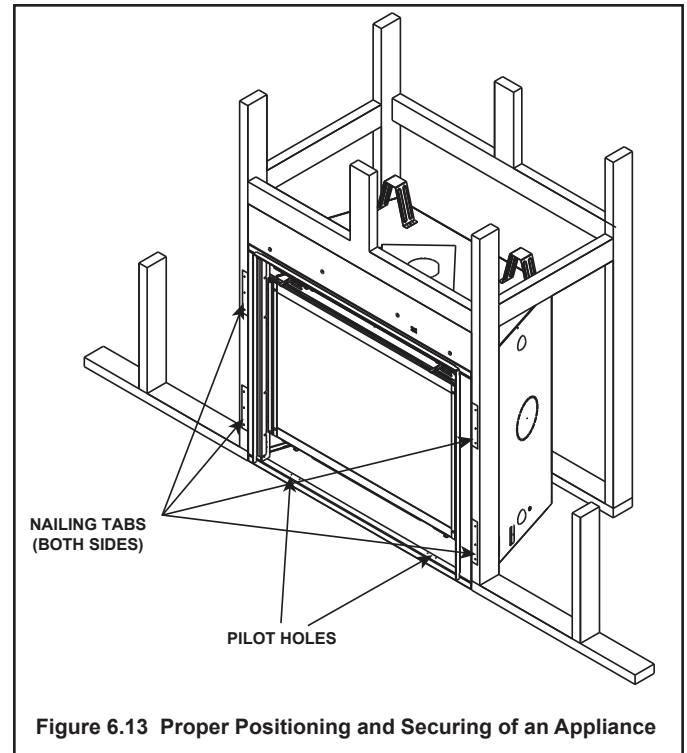


Figure 6.13 Proper Positioning and Securing of an Appliance

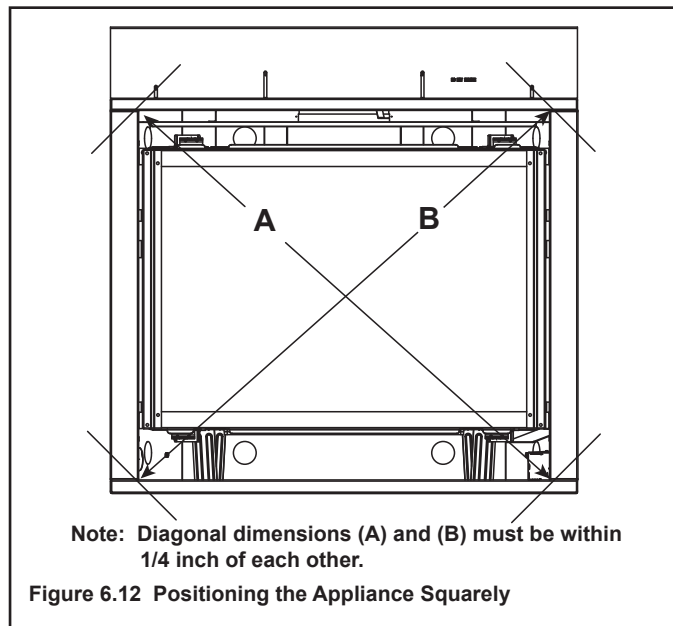


Figure 6.12 Positioning the Appliance Squarely

## D. Non-Combustible Material Installation

The factory-installed non-combustible board spans the distance from the top of the fireplace to the center of the framing header. This board must be used. See Figure 6.14.

**WARNING! Risk of Fire! DO NOT** remove factory-installed non-combustible material.

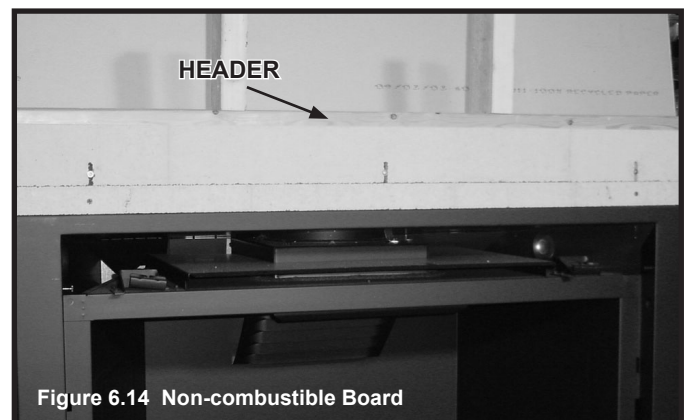


Figure 6.14 Non-combustible Board

# 7 Venting and Chimneys

## A. Assemble Vent Sections (DVP Pipe Only)

### Attach Vent to the Firebox Assembly

**Note:** The end of the pipe sections with the lanced tabs will face toward the appliance.

Attach the first pipe section to the starting collar:

- Lanced pipe end of the starting collar.
- Inner pipe over inner collar.
- Push the pipe section until all lanced tabs snap in place.
- Lightly tug on pipe to confirm it has locked.

### Required Commercial, Multi-family (Multi-level exceeding two stories), or High-Rise Applications

All outer pipe joints must be sealed with 100% silicone (300 °F minimum continuous exposure rating), including the slip section that connects directly to the horizontal termination cap.

- Apply a bead of silicone sealant (300 °F minimum continuous exposure rating) inside the female outer pipe joint prior to joining sections. See Figure 7.1. **OR**

Apply a bead of silicone sealant (300 °F minimum continuous exposure rating) to the outside of connecting joint after joining sections **OR**

Apply aluminum foil tape (300 °F minimum continuous exposure rating) to the outside of connecting joint after joining sections. On horizontal pipe runs, it is recommended that the tape seam is positioned on the bottom side of the vent pipe.

- Only outer pipes need to be sealed. All unit collar, pipe, slip section, elbow and cap outer flues shall be sealed in this manner, unless otherwise stated.

**WARNING! Risk of Fire or Explosion! DO NOT break silicone seals on slip sections. Use care when removing termination cap from slip pipe. If slip section seals are broken during removal of the termination cap, vent could leak.**

### Assemble Pipe Sections

Per Figure 7.2:

- Start the inner pipe on the lanced end of section A into the flared end of section B.
- Start the outer pipe of section A over the outer pipe of section B.
- Once both vents sections are started, push firmly until all lanced tabs lock into place.
- Lightly tug on the pipe to confirm the tabs have locked.

It is acceptable to use screws no longer than 1/2 in. (13 mm) to hold outer pipe sections together. If predrilling holes, **DO NOT** penetrate inner pipe.

For 90° and 45° elbows that are changing the vent direction

from horizontal to vertical, one screw minimum should be put in the outer flue at the horizontal elbow joint to prevent the elbow from rotating. Use screws no longer than 1/2 in. (13 mm). If predrilling screw holes, **DO NOT** penetrate inner pipe.



Figure 7.1 High Temperature Silicone Sealant

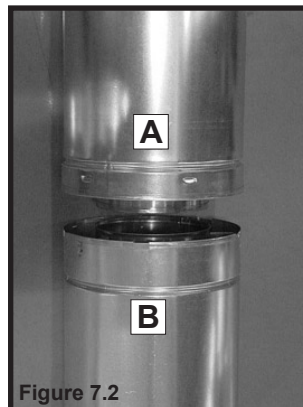


Figure 7.2

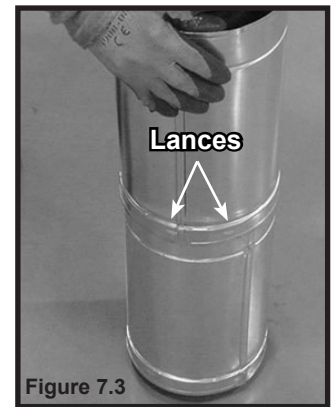
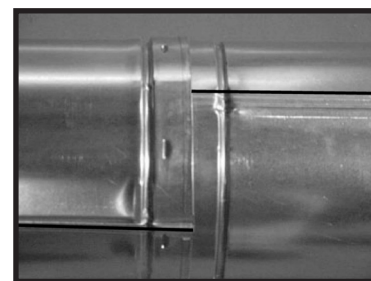
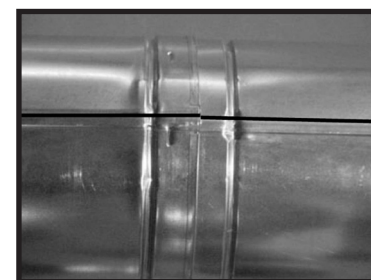


Figure 7.3

**Note:** Make sure that the seams are not aligned to prevent unintentional disconnection.



**CORRECT**



**INCORRECT**

Figure 7.4 Seams

## Assemble Vent Sections

### (SLP Only)

To attach the first vent component to the starting collars of the appliance:

- Attach a DVP-SLP24 adapter to the starting collar of the appliance.
- Lock the vent components into place by sliding the pipe section onto the collar.
- Align the seam of the pipe and seam of collar to allow engagement. Rotate the vent component to lock into place. Use this procedure for all vent components. See Figure 7.5.
- Slide the gasket over the first vent section and place it flush to the appliance. This will prevent cold air infiltration. Caulk with a minimum of 300 °F continuous exposure rating may be used to hold the part in place.
- Continue adding vent components, locking each succeeding component into place.
- Ensure that each succeeding vent component is securely fitted and locked into the preceding component.

It is acceptable to use screws no longer than 1/2 in. (13 mm) to hold outer pipe sections together. If predrilling holes, **DO NOT** penetrate inner pipe.

### Required Commercial, Multi-family (Multi-level exceeding two stories), or High-Rise Applications

All outer pipe joints must be sealed with high temperature silicone (300 °F minimum continuous exposure rating), including the slip section that connects directly to the horizontal termination cap.

- Apply a bead of silicone sealant (300 °F minimum continuous exposure rating) inside the female outer pipe joint prior to joining sections. See Figure 7.1. **OR**

Apply a bead of silicone sealant (300 °F minimum continuous exposure rating) to the outside of connecting joint after joining sections **OR**

Apply aluminum foil tape (300 °F minimum continuous exposure rating) to the outside of connecting joint after joining sections. On horizontal pipe runs, it is recommended that the tape seam is positioned on the bottom side of the vent pipe.

- Only outer pipes need to be sealed. All unit collar, pipe, slip section, elbow and cap outer flues shall be sealed in this manner, unless otherwise stated.

**WARNING! Risk of Fire or Explosion! DO NOT break silicone seals on slip sections. Use care when removing termination cap from slip pipe. If slip section seals are broken during removal of the termination cap, vent could leak.**

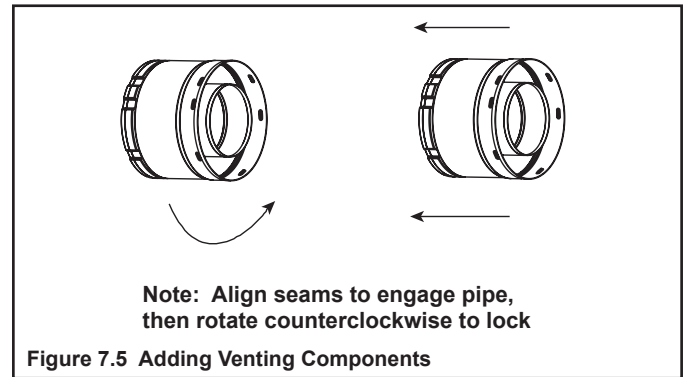


Figure 7.5 Adding Venting Components

### B. Assemble Slip Sections (DVP and SLP)

- Slide the inner flue of the slip section into the inner flue of the pipe section and the outer flue of the slip section over the outer flue of the pipe section. See Figure 7.6.
- Slide together to the desired length.

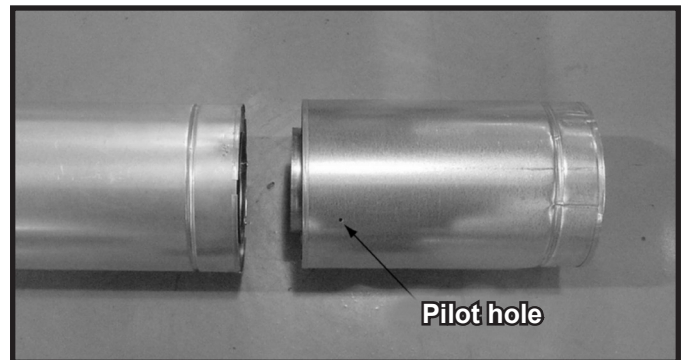


Figure 7.6 Slip Section Pilot Holes

- Maintain a 1-1/2 in. (38 mm) overlap between the slip section and the pipe section.
- Secure the pipe and slip section with two screws no longer than 1/2 in. (13 mm), using the pilot holes in the slip section. See Figure 7.7.

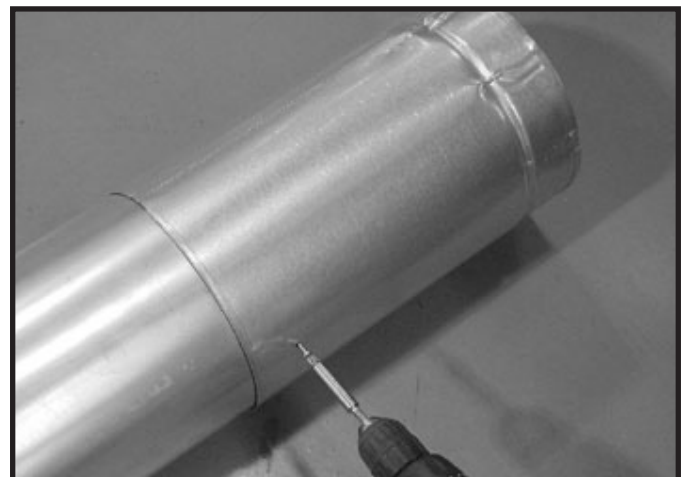


Figure 7.7 Screws into Slip Section

- Continue adding pipe as necessary following instructions in "Assembling Pipe Sections."

**NOTICE:** If slip section is too long, the inner and outer flues of the slip section can be cut to the desired length.

**NOTICE:** When installing a vent system with an HRC termination cap, all pipe system joints shall be sealed using a high temperature silicone sealant (300 °F minimum continuous exposure rating).

- Apply a bead of silicone sealant (300 °F minimum continuous exposure rating) inside the female outer pipe joint prior to joining sections.
- Only outer pipes are sealed, sealing the inner flue is not required.
- All unit collar, pipe, slip section, elbow and cap outer flues shall be sealed.

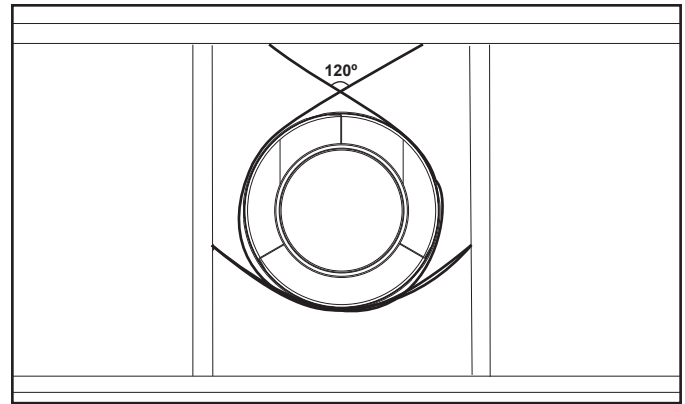


Figure 7.9 Securing Horizontal Pipe Sections

### C. Secure the Vent Sections

- Vertical runs originating off the top of the appliance, with no offsets, must be supported every 8 ft. (2.44 m) after the maximum allowed 25 ft. (7.62 m) of unsupported rise.
- Vertical runs originating off the rear of the appliance, or after any elbow, must be supported every 8 ft. (2.44 m).
- Horizontal runs must be supported every 5 feet (1.52 m).
- Vent supports or plumbers strap (spaced 120° apart) may be used to support vent sections. See Figures 7.8 and 7.9.
- Wall shield firestops may be used to provide horizontal support to vent sections.
- SLP ceiling firestops have tabs that may be used to provide vertical support.

**WARNING! Risk of Fire, Explosion or Asphyxiation!** Improper support could allow vent to sag and separate. Use vent run supports and connect vent sections per installation instructions. **DO NOT** allow vent to sag below connection point to appliance.

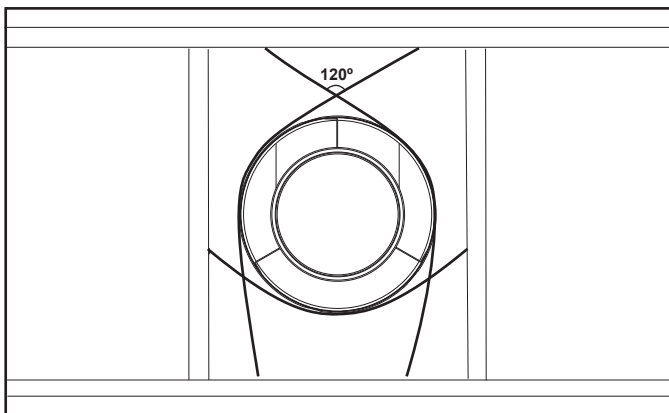


Figure 7.8 Securing Vertical Pipe Sections

### D. Disassemble Vent Sections

- Rotate either section (see Figure 7.10) so the seams on both pipe sections are aligned as shown in Figure 7.11.
- Pull carefully to separate the pieces of pipe.

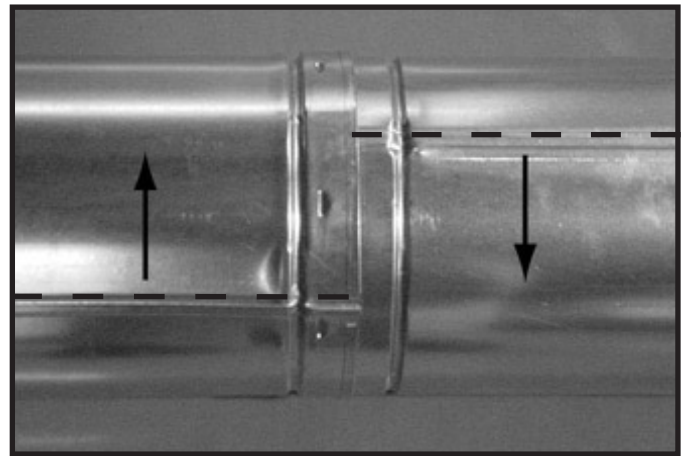


Figure 7.10 Rotate Seams for Disassembly

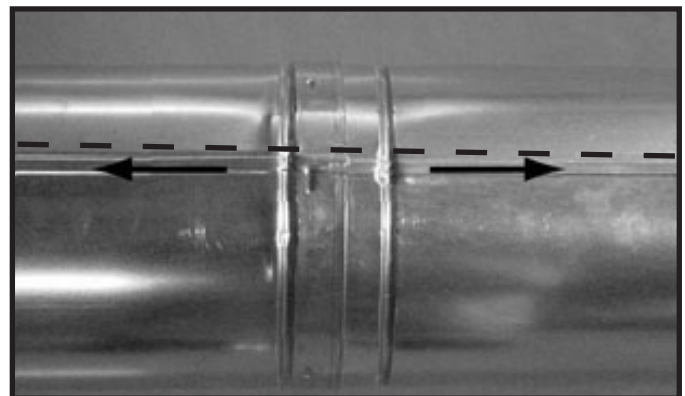


Figure 7.11 Align and Disassemble Vent Sections



## E. Vertical Termination Requirements

### Install Metal Roof Flashing

- See minimum vent heights for various pitched roofs (Figure 7.12) to determine the length of pipe to extend through the roof.
- Slide the roof flashing over the pipe sections extending through the roof as shown in Figure 7.13.

**Note:** When installing a silicone or EPDM pipe flashing boot on a metal roof, it is recommended to put a bead of 100% silicone sealant where the boot contacts the vent pipe to prevent the entry of water. Follow the manufacturer's recommendations when installing the boot. Climate regions with frequent temperatures below - 50 °F (-45.6 °C) should use a silicone flashing boot.

**NOTICE:** Failure to properly caulk the roof flashing and pipe seams could permit entry of water.

- Caulk the gap between the roof flashing and the outside diameter of the pipe.
- Caulk the perimeter of the flashing where it contacts the roof surface. See Figure 7.13.
- Caulk the overlap seam of any exposed pipe sections that are located above the roof line.

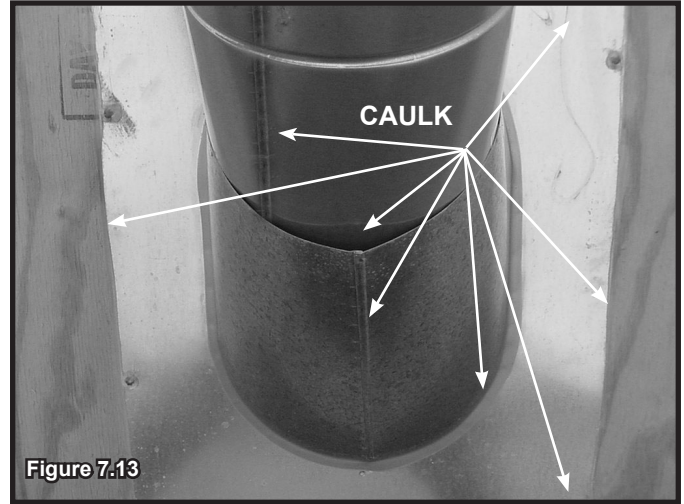


Figure 7.13

### Assemble and Install Storm Collar

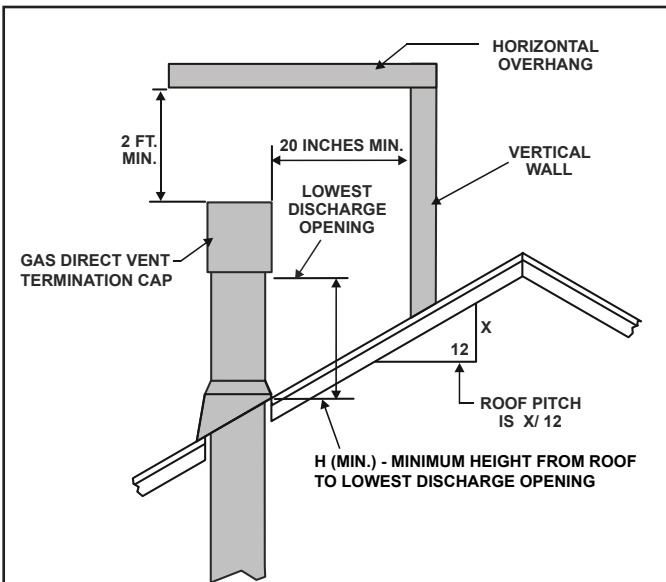
**CAUTION! Risk of Cuts, Abrasions or Flying Debris.** Wear protective gloves and safety glasses during installation. Sheet metal edges are sharp.

- Slide the storm collar onto the exposed pipe section and align brackets.
- Insert a bolt (provided) through the brackets and install nut. Do not completely tighten.



Figure 7.14 Insert Bolt into Brackets

- Slide the assembled storm collar down the pipe section until it rests on the roof flashing (see Figure 7.14).
- Tighten nut and make sure the collar is tight against the pipe section.
- Caulk around the top of the storm collar. See Figure 7.15.



| <u>Roof Pitch</u>        | <u>H (Min.) Ft.</u> |
|--------------------------|---------------------|
| Flat to 6/12.....        | 1.0*                |
| Over 6/12 to 7/12.....   | 1.25*               |
| Over 7/12 to 8/12.....   | 1.5*                |
| Over 8/12 to 9/12.....   | 2.0*                |
| Over 9/12 to 10/12.....  | 2.5*                |
| Over 10/12 to 11/12..... | 3.25                |
| Over 11/12 to 12/12..... | 4.0                 |
| Over 12/12 to 14/12..... | 5.0                 |
| Over 14/12 to 16/12..... | 6.0                 |
| Over 16/12 to 18/12..... | 7.0                 |
| Over 18/12 to 20/12..... | 7.5                 |
| Over 20/12 to 21/12..... | 8.0                 |

\* H minimum may vary depending on regional snowfall. Refer to local codes.

Figure 7.12 Minimum Height From Roof to Lowest Discharge Opening



## Install Vertical Termination Cap

- Attach the vertical termination cap by sliding the inner collar of the cap into the inner flue of the pipe section while placing the outer collar of the cap over the outer flue of the pipe section.
- Secure the cap by driving three self-tapping screws (supplied) through the pilot holes in the outer collar of the cap into the outer flue of the pipe (see Figure 7.15).

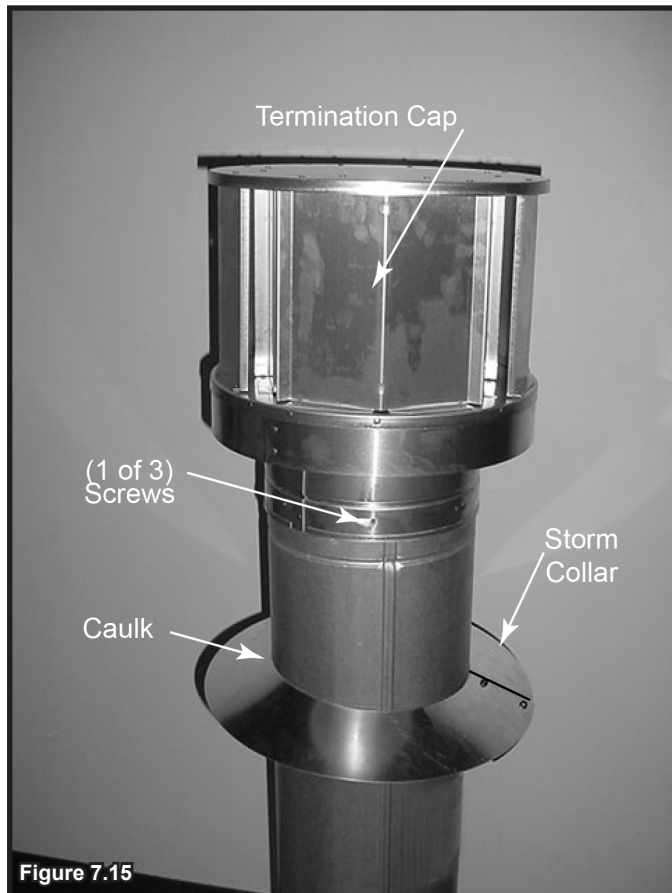


Figure 7.15

## F. Horizontal Termination Requirements

### Heat Shield Requirements for Horizontal Termination

**WARNING! Risk of Fire!** To prevent overheating and fire, heat shields must extend through the entire wall thickness.

- **DO NOT** remove the heat shields attached to the wall shield firestop and the horizontal termination cap (shown in Figure 7.16).
- Heat shields must overlap 1-1/2 in. (38 mm) minimum.

There are two sections of the heat shield. One section is factory-attached to the wall shield firestop. The other section is factory-attached to the cap. See Figure 7.16.

If the wall thickness does not allow the required 1-1/2 in. (38 mm) heat shield overlap when installed, an extended heat shield must be used.

- If the wall thickness is less than 4 in./102 mm (DVP) or 4-3/8 in./ 111 mm (SLP), the heat shields on the cap and wall shield firestop must be trimmed. A minimum 1-1/2 in. (38 mm) overlap **MUST** be maintained.
- Use an extended heat shield if the finished wall thickness is greater than 7-1/4 in. (184 mm).
- The extended heat shield may need to be cut to length maintaining sufficient length for a 1-1/2 in. (38 mm) overlap between heat shields.
- Attach the extended heat shield to either of the existing heat shields using the screws supplied with the extended heat shield. Refer to vent components diagrams in the back of this manual.
- Rest the small leg on the extended heat shield on top of the pipe section to properly space it from the pipe section.

**Important Notice:** Heat shields may not be field constructed.

## Install Horizontal Termination Cap (DVP and SLP Pipe)

**WARNING! Risk of Fire!** The telescoping flue section of the termination cap **MUST** be used when connecting vent.

- 1-1/2 (38 mm) minimum overlap of flue telescoping section is required.

Failure to maintain overlap could cause overheating and fire.

- Vent termination must not be recessed in the wall. Siding may be brought to the edge of the cap base.
- Flash and seal as appropriate for siding material at outside edges of cap.
- When installing a horizontal termination cap, follow the cap location guidelines as prescribed by current **ANSI Z223.1** and **CAN/CGA-B149** installation codes and refer to Section 4 of this manual.

**CAUTION! Risk of Burns!** Local codes may require installation of a cap shield to prevent anything or anyone from touching the hot cap.

**NOTICE:** For certain exposures which require superior resistance to wind-driven rain penetration, a flashing kit and HRC caps are available. When penetrating a brick wall, a brick extension kit is available for framing the brick.

**Note:** When using termination caps with factory-supplied heat shield attached, no additional wall shield firestop is required on the exterior side of a combustible wall.

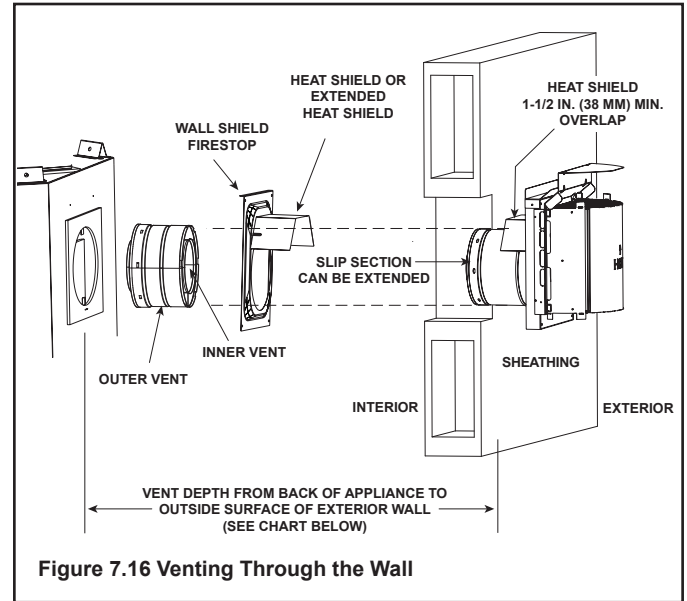


Figure 7.16 Venting Through the Wall

**Cap Specification Chart**  
(depth without using additional pipe sections)

|  | DVP-TRAPK1                | DVP-TRAP1                 | DVP-TRAPK2                | DVP-TRAP2                 |
|--|---------------------------|---------------------------|---------------------------|---------------------------|
|  | Top Vent<br>Depth         | Rear Vent<br>Depth        | Top Vent<br>Depth         | Rear Vent<br>Depth        |
| MERIDPLA36IN<br>MERIDPLA36IL<br>MERIDPLA42IN<br>MERIDPLA36IL | 2-3/4 in. to<br>4-5/8 in. | 3-1/8 in. to<br>5 in.     | 5-1/8 in. to<br>9-1/8 in. | 5-1/2 in. to<br>9-1/2 in. |
|  | DVP-HPC1                  | DVP-HPC1                  | DVP-HPC2                  | DVP-HPC2                  |
|  | Top Vent<br>Depth         | Rear Vent<br>Depth        | Top Vent<br>Depth         | Rear Vent<br>Depth        |
|  | 2-3/4 in. to<br>4-7/8 in. | 3-1/8 in. to<br>5-1/4 in. | 4-7/8 in. to<br>9 in.     | 5-1/4 in. to<br>9-3/8 in. |

DVP-TRAP1 can adjust 1-1/2 in. (3-1/8 to 4-5/8 in.)

DVP-TRAP2 can adjust 4 in. (5-3/8 to 9-3/8)

DVP-HPC1 can adjust 2-1/8 in. (4-1/4 to 6-3/8)

DVP-HPC2 can adjust 4-1/8 in. (6-3/8 to 10-1/2)

# 8 Electrical Information

## A. General Information

**WARNING! Risk of Shock or Explosion! DO NOT** wire 110-120 VAC to the valve or to the appliance wall switch. Incorrect wiring will damage controls.

**NOTICE:** This appliance must be electrically wired and grounded in accordance with local codes or, in the absence of local codes, with **National Electric Code ANSI/NFPA 70-latest edition or the Canadian Electric Code CSA C22.1.**

- Wire the appliance junction box to unswitched 110-120 VAC. This is required for proper operation of the appliance.
- A 110-120 VAC circuit for this product must be protected with ground-fault circuit-interrupter protection, in compliance with the applicable electrical codes, when it is installed in locations such as in bathrooms or near sinks.
- Low voltage and 110-120 VAC voltage cannot be shared within the same wall box.
- In some instances, the spark ignition of the fireplace may cause intermittent, non-damaging, interference during the lighting sequence with a TV plugged into the same circuit. It is recommended that the fireplace and TV use different circuits to mitigate the interference potential. If interference is occurring on the same circuit, the use of surge protectors may help alleviate the interference.

## Junction Box Installation

If the box is being wired from the **INSIDE** of the appliance:

- Remove the screw attaching the junction box/receptacle to the outer shell, rotate the junction box inward to disengage it from the outer shell (see Figure 8.1).
- Pull the electrical wires from outside the appliance through the opening into the valve compartment and secure wires with a Romex connector. See Figure 8.1.
- Make all necessary wire connections to the junction box/receptacle and reattach the junction box/receptacle to the outer shell.

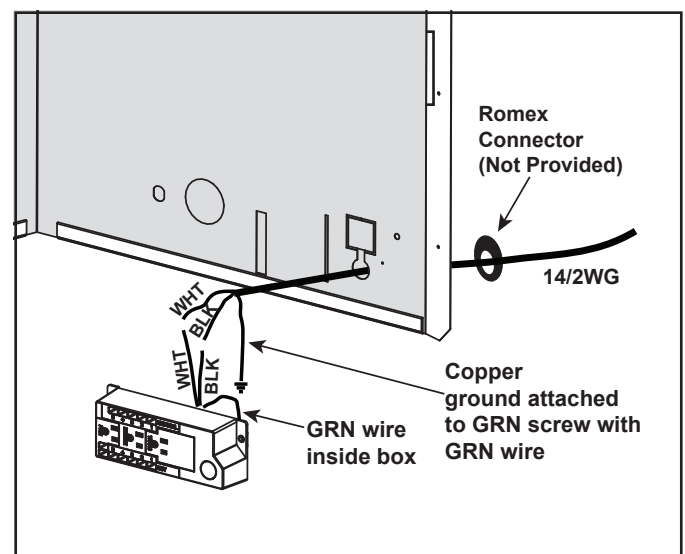


Figure 8.1 Junction Box Detail

## Accessories Requirements

- This appliance may be used with a wall switch, wall mounted thermostat and/or a remote control.

Wiring for optional Hearth & Home Technologies approved accessories should be done now to avoid reconstruction. Follow instructions that come with those accessories.

- Hearth & Home Technologies recommends that IntelliFire Touch® wireless controls be used for their features and functionality with the IntelliFire Touch ignition system.

## Electrical Service and Repair

**WARNING! Risk of Shock! Label all wires prior to disconnection when servicing controls. Wiring errors could cause improper and dangerous operation. Verify proper operation after servicing.**

**WARNING! Risk of Shock! Replace damaged wire with type 105° C rated wire. Wire must have high temperature insulation.**

## B. Wiring Requirements

### IntelliFire Touch® Ignition System Wiring

- Wire the appliance junction box to 110-120 VAC for proper operation of the appliance.

**WARNING! Risk of Shock or Explosion! DO NOT** wire IPI controlled appliance junction box to a switched circuit. Incorrect wiring will override IPI safety lockout.

- Refer to Figure 8.2 IntelliFire Touch (IPI) Wiring Diagram.
- This appliance is equipped with an IntelliFire® control valve which operates on a 6 volt system.

**NOTICE:** Batteries should only be used as a power source in the event of an emergency power outage. Batteries should not be used as a primary long-term power source. Battery polarity must be correct when installing batteries.

Do not store batteries in the battery pack when the appliance is powered by the 6 volt transformer connected to permanent electrical service.

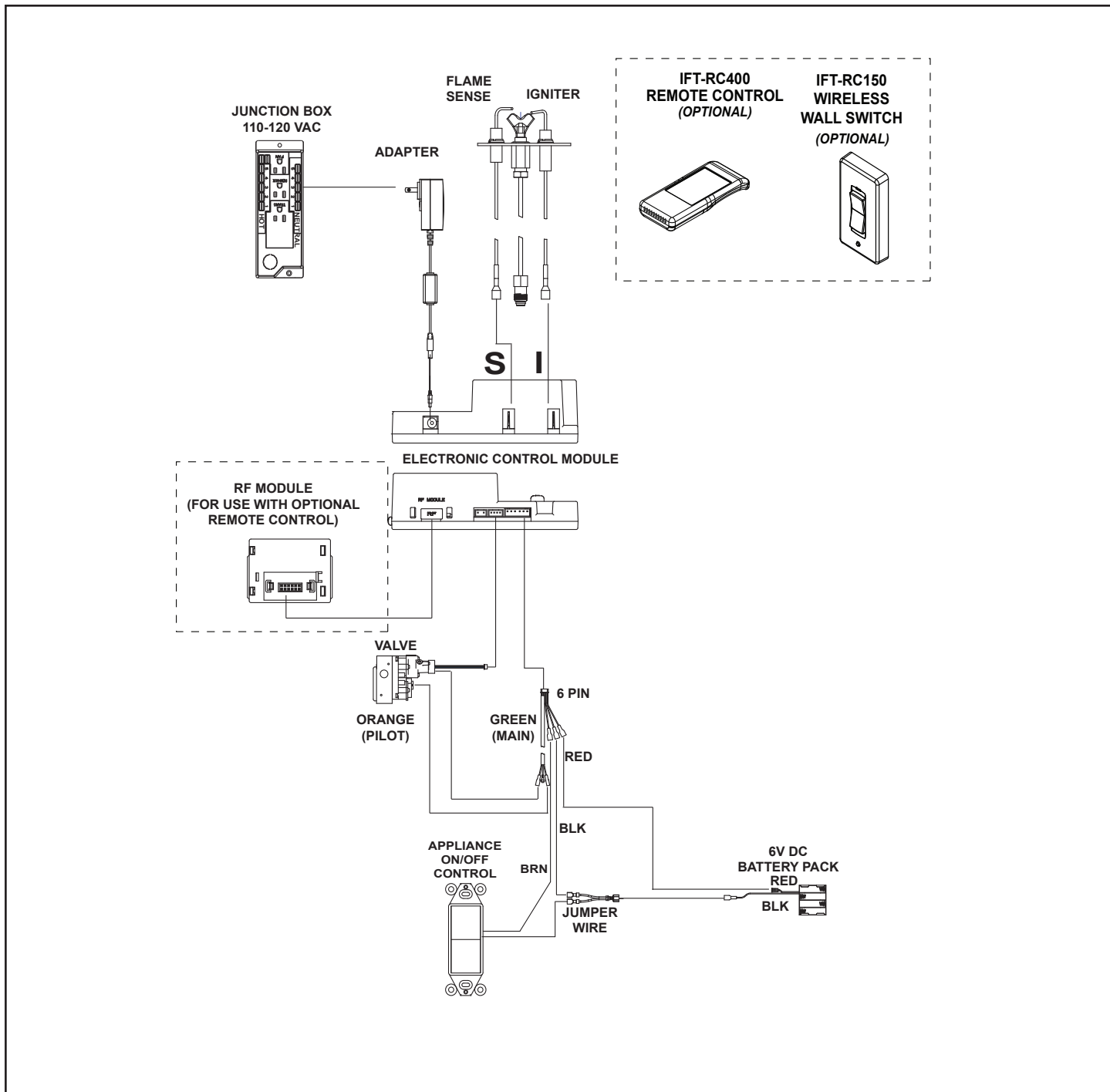
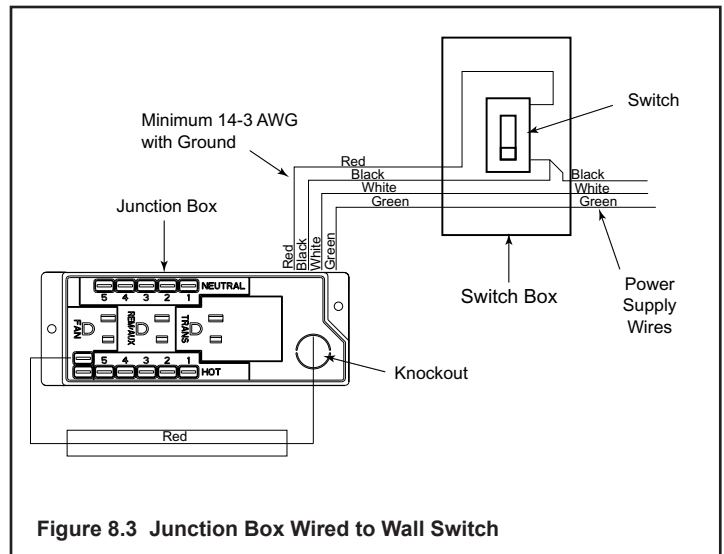


Figure 8.2 IntelliFire Touch Ignition System Wiring Diagram

## Wall Switch Installation for Fan (Optional)

If the box is being wired to a wall mounted switch for use with a fan (See Figure 8.3):

- The power supply for the appliance must be brought into a switch box.
- The power can then be supplied from the switch box to the appliance using a minimum of 14-3 with ground wire.
- At the switch box connect the black (hot) wire and red (switch leg) wire to the wall switch as shown.
- At the appliance connect the black (hot), white (neutral) and green (ground) wires to the junction box as shown.
- Add a 1/4 in. insulated female connector to the red (switch leg) wire, route it through the knockout in the face of the junction box, and connect to the top fan switch connector (1/4 in. male) as shown.



# 9 Gas Information

## A. Fuel Conversion

- Make sure the appliance is compatible with available gas types.
- Conversions must be made by a qualified service technician using Hearth & Home Technologies specified and approved parts.

## B. Gas Pressure


- Optimum appliance performance requires proper input pressures.
- Gas line sizing requirements will be determined in ANSI Z223.1 National Fuel Gas Code in the USA and CAN/CGA B149 in Canada.
- Pressure requirements are:

| Gas Pressure           | Natural Gas   | Propane       |
|------------------------|---------------|---------------|
| Minimum inlet pressure | 5.0 in. w.c.  | 11.0 in. w.c. |
| Maximum inlet pressure | 10.0 in. w.c. | 13.0 in. w.c. |
| Manifold pressure      | 3.5 in. w.c.  | 10.0 in. w.c. |

**WARNING! Risk of Fire or Explosion!** High pressure will damage valve. Low pressure could cause explosion.

- Verify inlet pressures. Verify minimum pressures when other household gas appliances are operating.
- Install regulator upstream of valve if line pressure is greater than 1/2 psig.

**⚠ WARNING**



Fire Risk.  
Explosion Hazard.  
High pressure will damage valve.

- Disconnect gas supply piping BEFORE pressure testing gas line at test pressures above 1/2 psig.
- Close the manual shutoff valve BEFORE pressure testing gas line at test pressures equal to or less than 1/2 psig.

**Note:** Have the gas supply line installed in accordance with local codes, if any. If not, follow ANSI Z223.1. Installation should be done by a qualified installer approved and/or licensed as required by the locality. (In the Commonwealth of Massachusetts installation must be performed by a licensed plumber or gas fitter).

**Note:** A listed (and Commonwealth of Massachusetts approved) 1/2 in. (13 mm) T-handle manual shut-off valve and flexible gas connector are connected to the 1/2 in. (13 mm) control valve inlet.

- **If substituting for these components, please consult local codes for compliance.**

## C. Gas Connection

- Refer to Appliance Dimension diagram in Section 3 for location of gas line access in appliance.
- Gas line may be run through knockout(s) provided.
- The gap between supply piping and gas access hole may be caulked with caulk with a minimum of 300 °F continuous exposure rating or stuffed with non-combustible, unfaced insulation to prevent cold air infiltration.
- Ensure that gas line does not come in contact with outer wrap of the appliance. Follow local codes.
- Pipe incoming gas line into valve compartment.
- Connect incoming gas line to the 1/2 in. (13 mm) connection on manual shutoff valve.

**WARNING! Risk of Fire or Explosion!** Support control when attaching pipe to prevent bending gas line.

- A small amount of air will be in the gas supply lines.

**WARNING! Risk of Fire or Explosion!** Gas build-up during line purge could ignite.

- Purge should be performed by qualified service technician.
- Ensure adequate ventilation.
- Ensure there are no ignition sources such as sparks or open flames.

Light the appliance. It will take a short time for air to purge from lines. When purging is complete the appliance will light and operate normally.

**WARNING! Risk of Fire, Explosion or Asphyxiation!** Check all fittings and connections with a non-corrosive commercially available leak-check solution. **DO NOT** use open flame. Fittings and connections could have loosened during shipping and handling.

**WARNING! Risk of Fire! DO NOT** change valve settings. This valve has been preset at the factory.

## D. High Altitude Installations

**NOTICE:** If the heating value of the gas has been reduced, these rules do not apply. Check with your local gas utility or authorities having jurisdiction.

When installing above 2000 feet elevation:

- In the USA: Reduce input rate 4% for each 1000 feet above 2000 feet.
- In CANADA: Input ratings are certified without a reduction of input rate for elevations up to 4500 feet (1370 m) above sea level. Please consult provincial and/or local authorities having jurisdiction for installations at elevations above 4500 feet (1370 m).

Check with your local gas utility to determine proper orifice size.

## E. Air Shutter Setting

Air shutter settings should be adjusted by a qualified service technician at the time of installation. The air shutter is set at the factory for minimum vertical vent run. Adjust air shutter for longer vertical runs. See Figure 9.1.

- Loosen the wing nut.
- Move the wing nut to the right to open the air shutter.
- Move the wing nut to the left to close the air shutter.
- Tighten the wing nut.

**NOTICE:** If sooting occurs, provide more air by opening the air shutter.

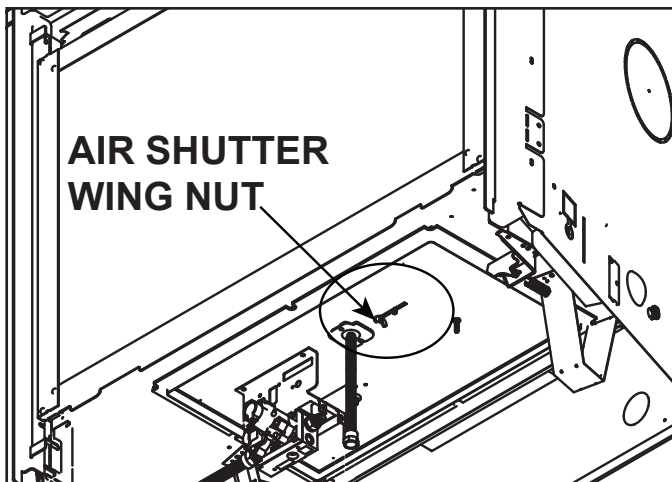


Figure 9.1 Air Shutter

### Air Shutter Settings

| MODEL        | GAS TYPE | MIN. VENT RUN | MAX. VENT RUN |
|--------------|----------|---------------|---------------|
| MERIDPLA36IN | NG       | 1/4 in.       | Full Open     |
| MERIDPLA36IL | PROPANE  | 3/8 in.       | Full Open     |
| MERIDPLA42IN | NG       | 1/4 in.       | Full Open     |
| MERIDPLA42IL | PROPANE  | 3/8 in.       | Full Open     |

Minimum and maximum shutter settings are set up to appear like Figure 4.18.

- Minimum vent run consists of enough horizontal vent pipe to exit 2 X 6 wall construction (approximately 8 inches).
- Maximum vent run consists of “H Maximum” on Figure 4.18.

**Note:** All vent runs may need to be evaluated for ideal shutter settings. Shutter distances may vary due to vent run, fuel quality, and elevation.



# 10 Finishing

## A. Facing Material

- Metal front faces may be covered with non-combustible materials only.
- Facing and/or finishing materials must not interfere with air flow through or removal of decorative fronts or access for service.
- Facing and/or finishing materials must never overhang into the glass opening.
- Observe all clearances when applying combustible materials.
- Seal joints between the finished wall and appliance top and sides using a 300 °F minimum sealant. Refer to Figure 10.1 and Figure 10.2.

**WARNING! Risk of Fire! DO NOT** apply combustible materials beyond the minimum clearances. Comply with all minimum clearances to combustibles as specified in this manual. Overlapping materials could ignite and will interfere with air flow through decorative fronts.

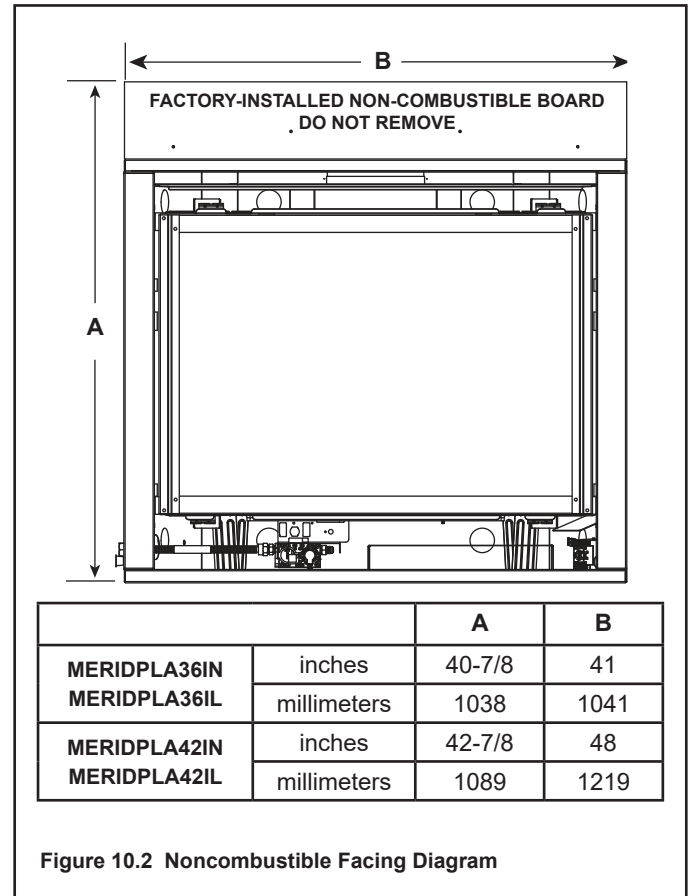


Figure 10.2 Noncombustible Facing Diagram

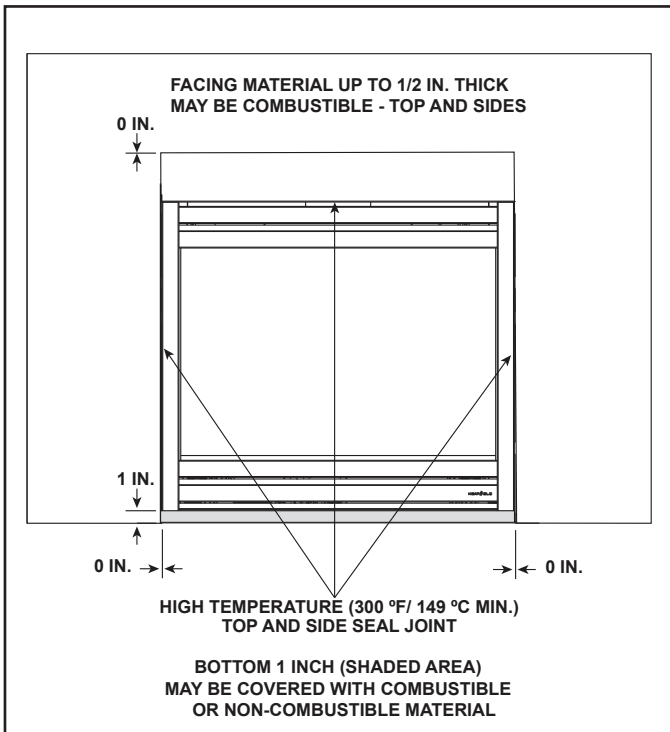


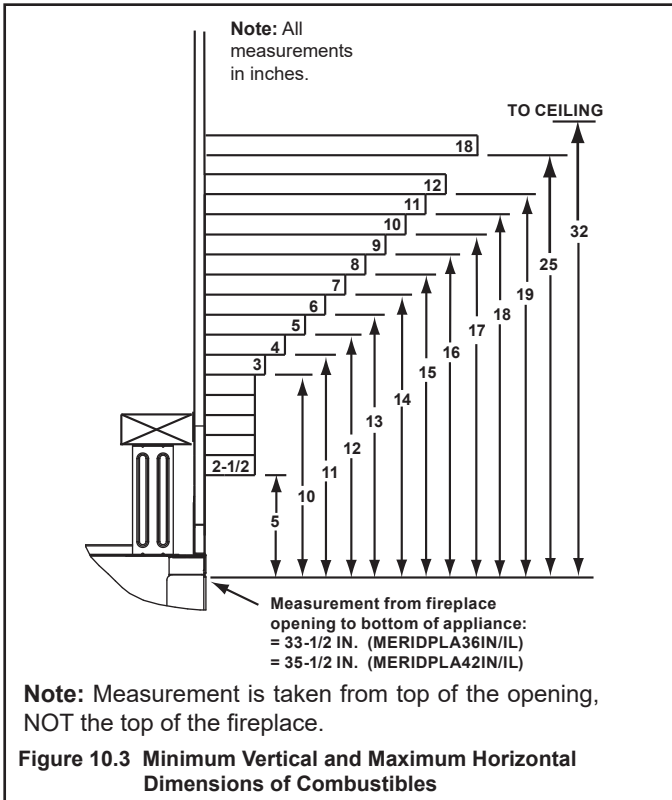
Figure 10.1 Facing Materials



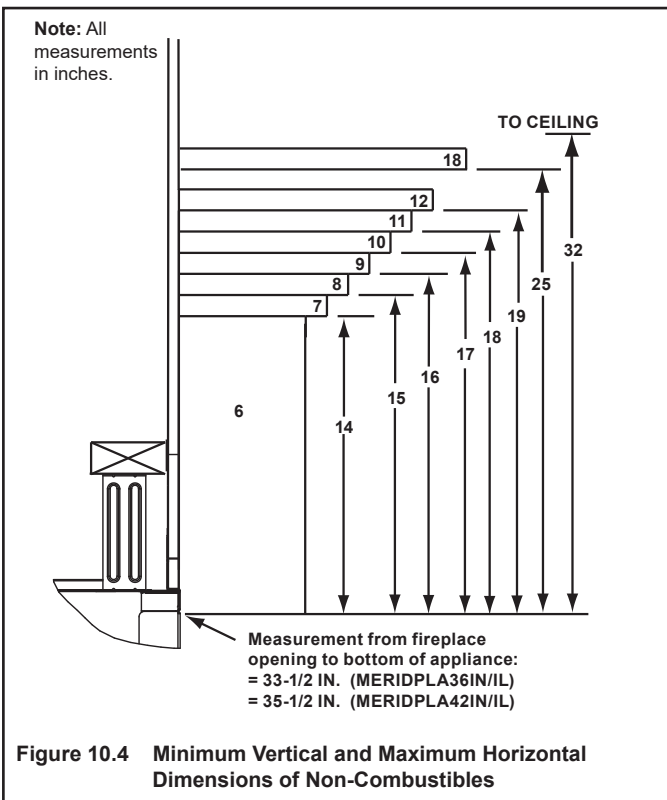
## B. Mantel and Wall Projections

**WARNING! Risk of Fire!** Comply with all minimum clearances as specified. Framing closer than the minimums listed must be constructed entirely of noncombustible materials (i.e., steel studs, concrete board, etc.)

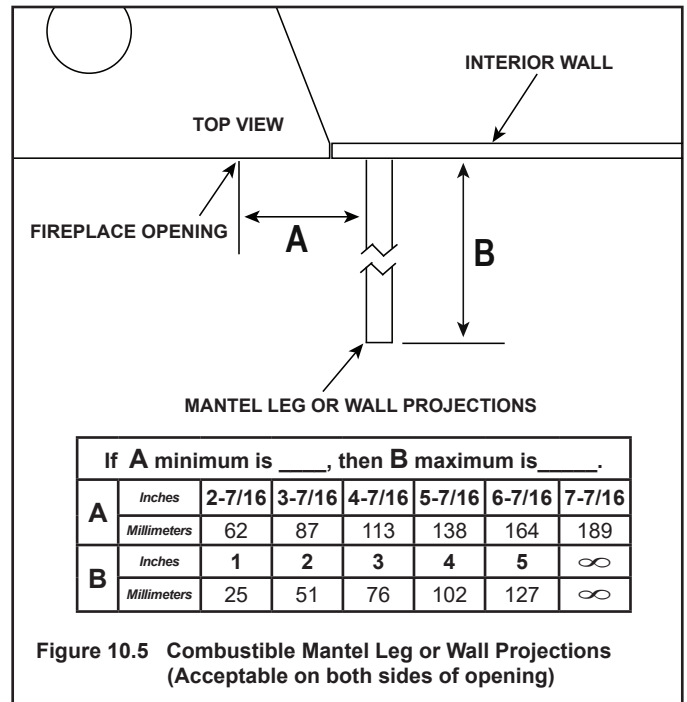
### Mantels - Combustible or Painted Surfaces



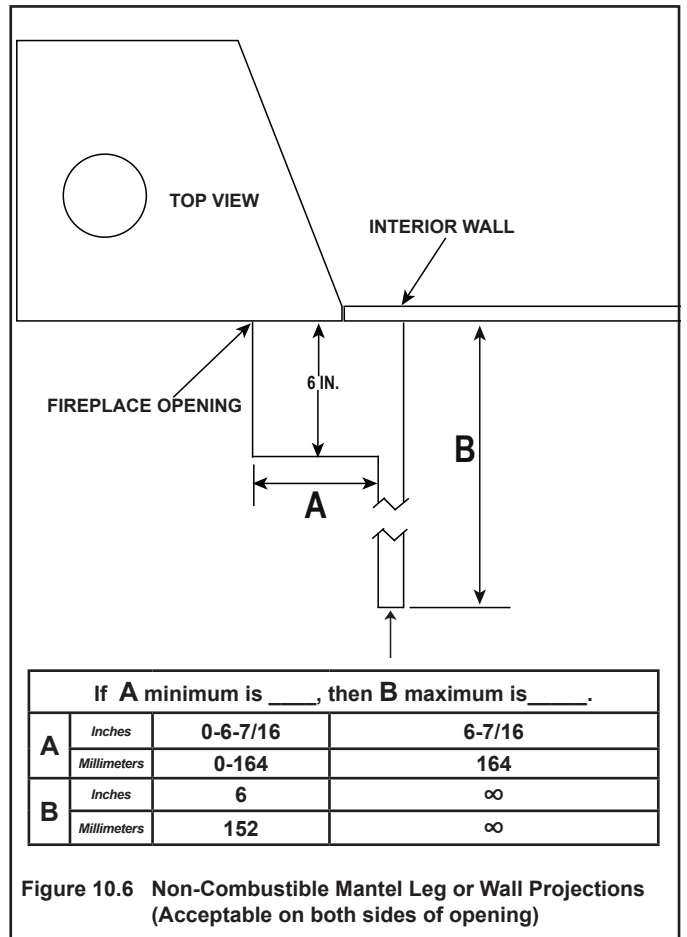
### Non-combustible Mantels



### Mantel Legs or Wall Projections - Combustible



### Non-Combustible Mantel Legs or Wall Projections



## C. Decorative Front Dimensions for Finishing

**WARNING! Risk of Burns!** A decorative front is required for this model. **DO NOT** operate this appliance without a decorative front in place.

Only decorative fronts certified for use with this appliance model may be used. Contact your dealer for a list of decorative fronts that may be used. Once you have determined what kind of decorative front and finishing material is going to be used on the fireplace, you may use the table below which shows the decorative front models and the finishing material thickness allowed.

| DECORATIVE FRONT   | FIT     | FINISH MATERIAL THICKNESS | SEE FIGURE |
|--------------------|---------|---------------------------|------------|
| DBM36BK<br>DBM42BK | Inside  | 0-6 inches                | 10.9       |
| CRD36<br>CRD42     | Overlap | 1 inch or less            | 10.7       |
|                    | Inside  | 1-6 inches                | 10.8       |

**Note:** Finishing strips may be used to aid in positioning of non-combustible facing materials for some of the facing and decorative front combinations specified in the table above. They must be removed following finishing work. See figure 10.7.

## CRD36, CRD42

### Overlap Fit (0-1 Inch Thick Finishing Method)

#### Non-Combustible Finish Materials

Remove Finishing Strips. See Figure 10.10.

**NOTICE:** Remove finishing strips before firing appliance.

**WARNING! Risk of Fire! DO NOT** apply finishing material beyond the finishing strips. Appliance will overheat if finishing material extends into appliance opening.

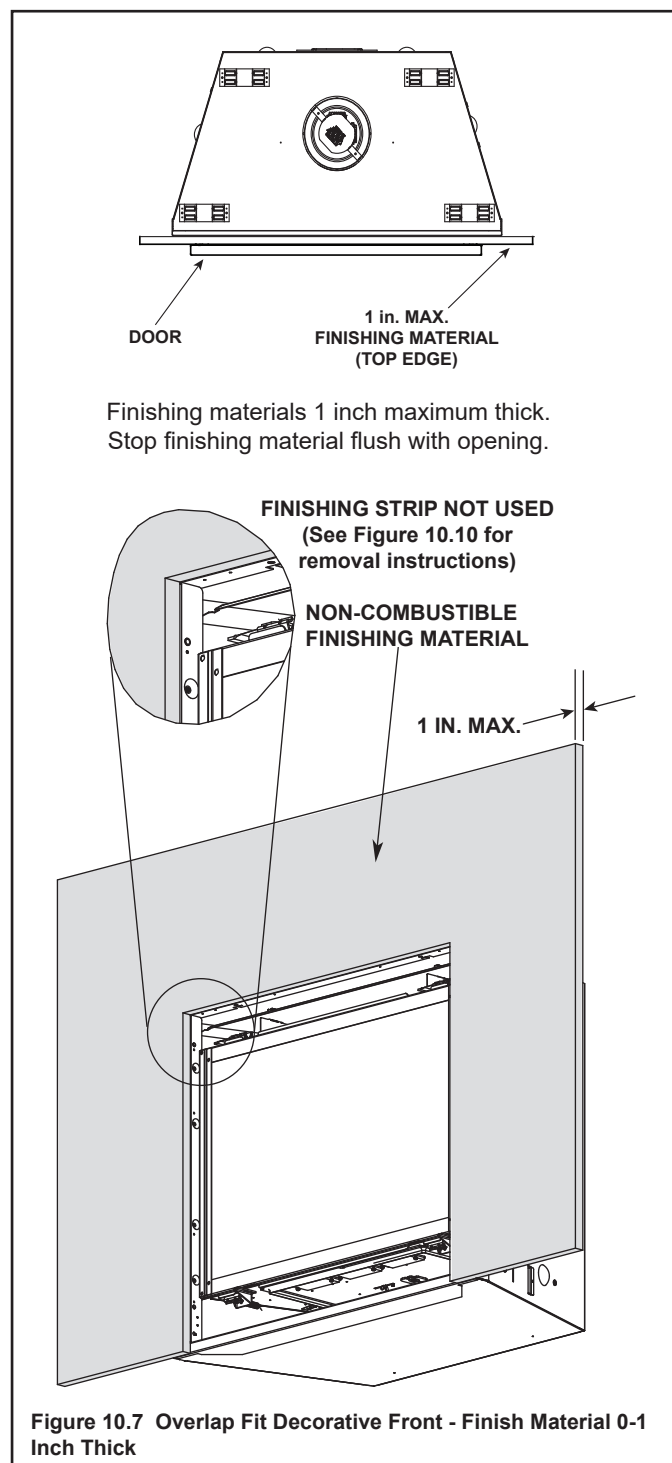


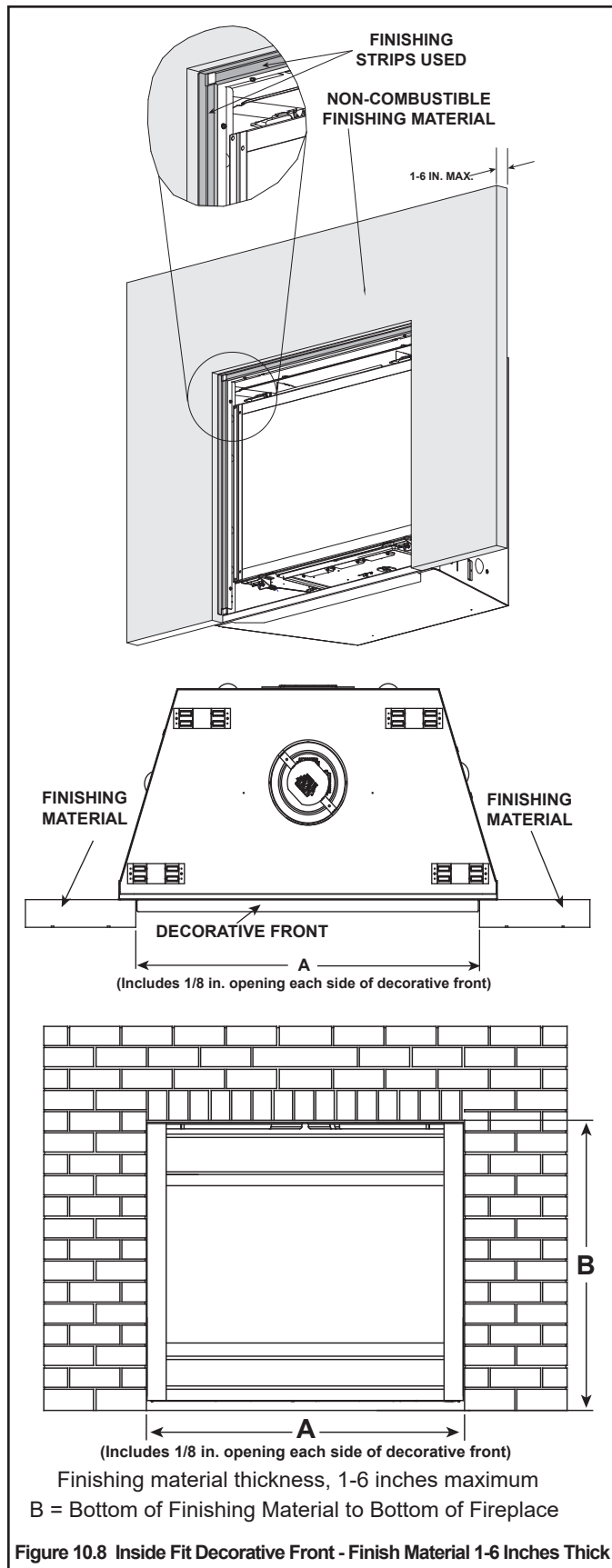
Figure 10.7 Overlap Fit Decorative Front - Finish Material 0-1 Inch Thick

**CRD36, CRD42**

**Inside Fit (1-6 Inches Thick Finishing Method)**

**Non-Combustible Finish Materials**

*NOTICE: Remove finishing strips before firing appliance.*

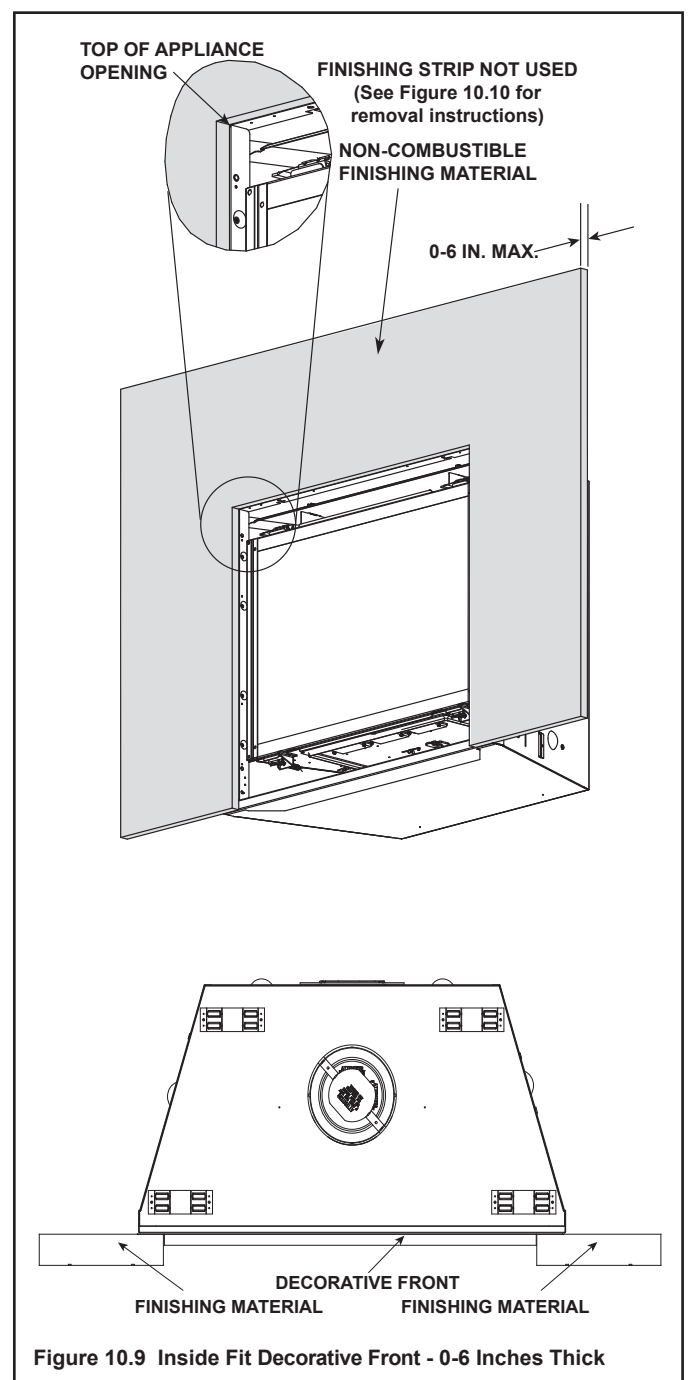


**DBM36, DBM42**

**Inside Fit (0-6 Inches Thick Finishing Method)**

**Non-Combustible Finish Materials**

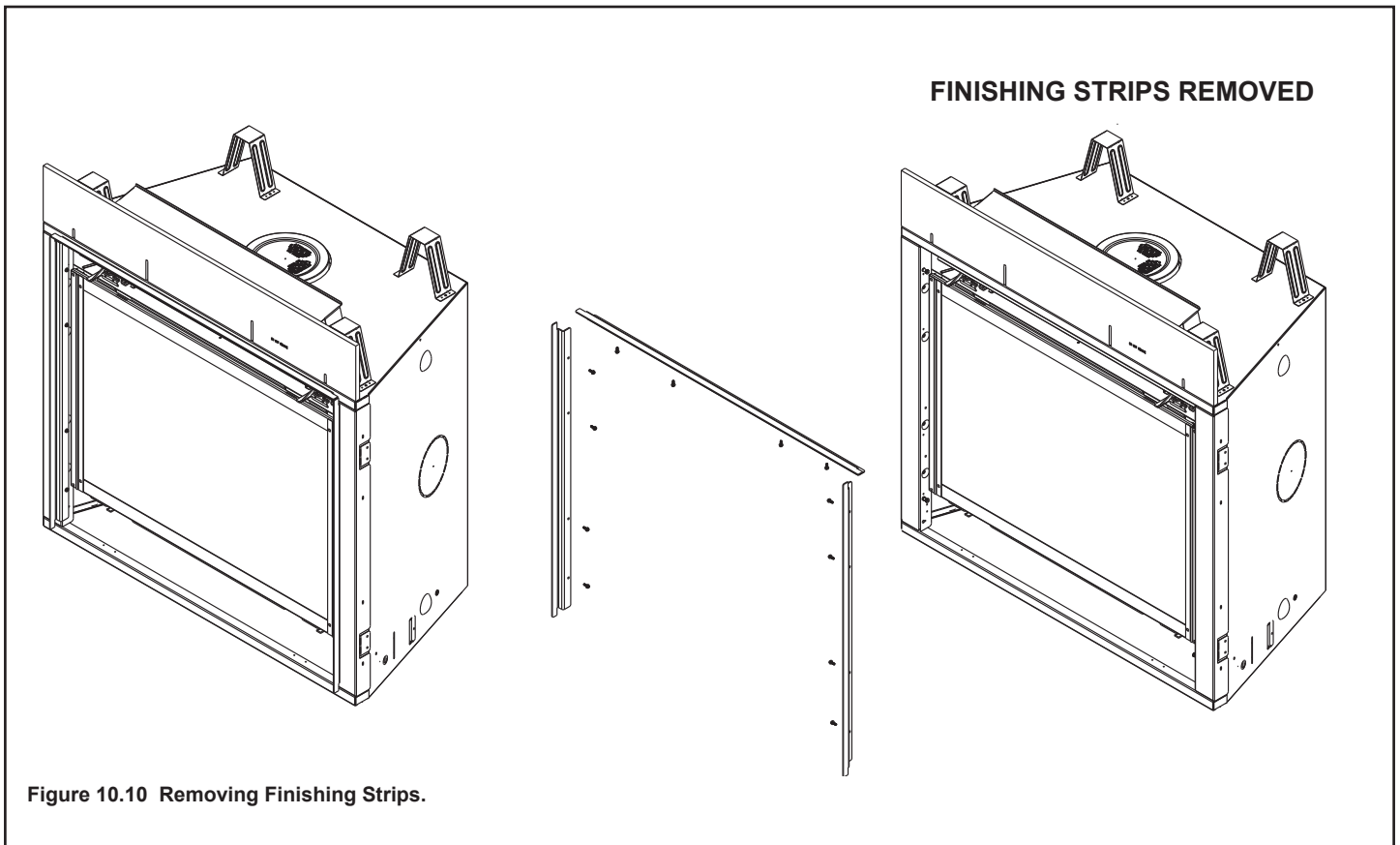
*NOTICE: Remove finishing strips before firing appliance.*



|          | MERIDPLA42I |             | MERIDPLA36I |             |
|----------|-------------|-------------|-------------|-------------|
|          | Inches      | Millimeters | Inches      | Millimeters |
| <b>A</b> | 44-5/16     | 1126        | 37-5/16     | 948         |
| <b>B</b> | 36-5/16     | 922         | 34-7/16     | 875         |

## Removal of Finishing Strips

**NOTICE:** Remove finishing strips before firing appliance.  
Remove glass frame assembly to access finishing strip screws.



# 11 Appliance Setup

## A. Fixed Glass Assembly

**WARNING! Risk of Asphyxiation!** Handle fixed glass assembly with care. Inspect the gasket to ensure it is undamaged and inspect the glass for cracks, chips or scratches.

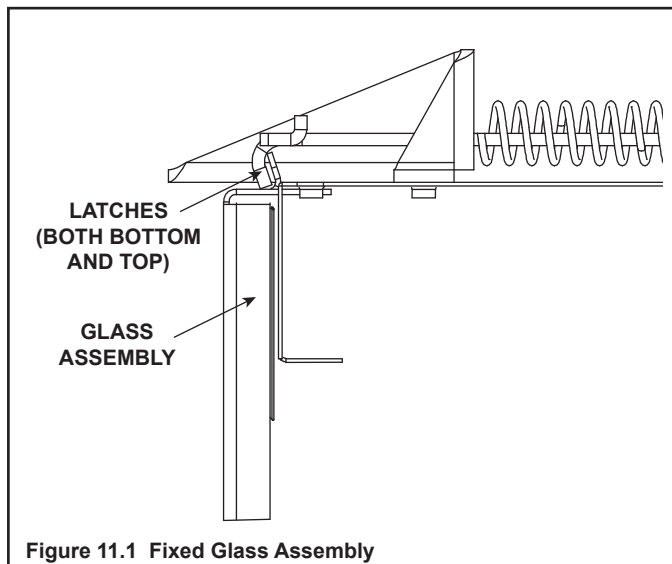
- **DO NOT** strike, slam or scratch glass.
- **DO NOT** operate fireplace with glass removed, cracked, broken or scratched.
- Replace as a complete assembly.

### Removing Fixed Glass Assembly

- Pull the four glass assembly latches away from the tabs on the glass frame. Remove glass assembly from the appliance. See Figure 11.1.

### Replacing Fixed Glass Assembly

- Replace the glass assembly on the appliance. Pull out and latch the four glass assembly latches onto the tabs on the glass frame.



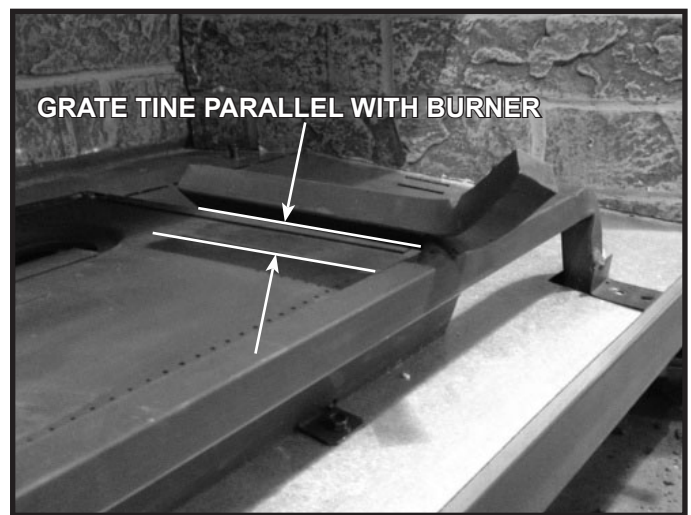
## B. Remove the Shipping Materials/Inspect Grate

Remove shipping materials from inside or underneath the firebox.

- The splatter guard is a piece of corrugated material used to protect the appliance during the installation process before finishing work on the whole hearth is complete. Splatter guards may be factory installed or accompany the decorative front of the appliance, depending on the fireplace model. Splatter guards must be removed before appliance is fired.

**WARNING! Risk of Fire!** Close the ball valve before installing the splatter guard to prevent accidental lighting. Remove the splatter guard before lighting the appliance.

- Inspect the grate prior to installing the embers, logs and lava rock. The grate tine on the right hand side should be parallel to the burner. See Figure 11.2. If the grate is not parallel to the burner, contact your dealer.



### C. Clean the Appliance

Clean/vacuum any sawdust that may have accumulated inside the firebox or underneath in the control cavity.

### D. Install Refractory (Required)

**WARNING! Risk of Fire!** DO NOT operate appliance without refractory. Overheating will occur.

**CAUTION! Refractory pieces are fragile.** Handle with care.

Refractory MUST be installed on this appliance. Either a fiber refractory kit or a black glass refractory kit may be installed. Refer to the instructions included with the refractory kit for proper installation.

### E. Install Lava Rock and Embers

**WARNING! Risk of Explosion!** Follow ember placement instructions. DO NOT place ember directly over burner ports. Replace ember material annually. Improperly placed ember material interferes with proper burner operation.

#### Place the Lava Rock

Place a thin layer of lava rock in the area designated in Figure 11.3.

#### Place the Ember Material

See Figure 11.3. Place a small amount of 1/2 in. diameter pieces (dime-size) of ember material on the burner top. Be careful not to cover burner ports. It is not necessary to use the entire bag. Save the remaining amount for future use.

**WARNING! Risk of Explosion!** Follow ember placement instructions. DO NOT place embers directly over burner ports. Replace ember material annually. Improperly placed embers interfere with proper burner operation.

Ember material is shipped with this gas appliance. To place the ember material:

- Embers CANNOT be placed directly over ports. Care should be taken not to cover the lighting trail of ports (from back to front).
- Place dime-size pieces of Glowing Embers® just in front of the port trail, but not on or in between the ports. See Figure 11.3. Care should be taken so that the ports are not covered. Failure to follow this procedure will likely cause lighting and sooting problems.

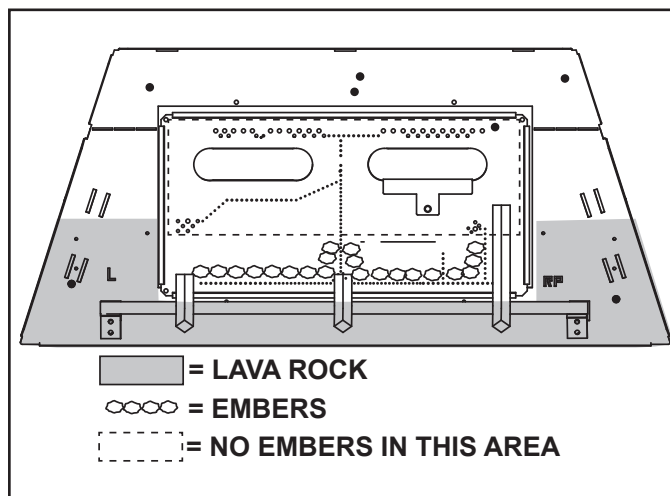


Figure 11.3 Placement of Embers



## F. Install the Log Assembly

# LOG PLACEMENT INSTRUCTIONS

Log Set Assembly: LOGSDBDV36PLAT, LOGSDBDV42PLAT

Models: DBDV36PLATIN, DBDV36PLATIL, MERIDPLA36IN, MERIDPLA36IL  
 DBDV42PLATIN, DBDV42PLATIL, MERIDPLA42IN, MERIDPLA42IL

**CAUTION:** Logs are fragile, handle with care.

### Placement for LOGSDBDV36PLAT

Models: DBDV36PLATIN/DBDV36PLATIL/MERIDPLA36IN/MERIDPLA36IL

Log A: SRV2454-701  
 Log B: SRV2454-702  
 Log C: SRV2397-705  
 Log D: SRV2454-704  
 Log E: SRV2454-705

Log F: SRV2454-706  
 Log G: SRV2454-707  
 Log H: SRV2397-706

**NOTICE:** To simplify the installation process, positively identify each individual log before beginning installation.

### LOG IDENTIFICATION:

Reference Figure 1 and 2 for log identification of logs. It is important to lay the logs out in order as shown in Figure 1 and Figure 2. Some logs are similar to others in shape or size so it is imperative to correctly identify each log. The unique features for each log are described below. Figure 3 shows the completely assembled log set.

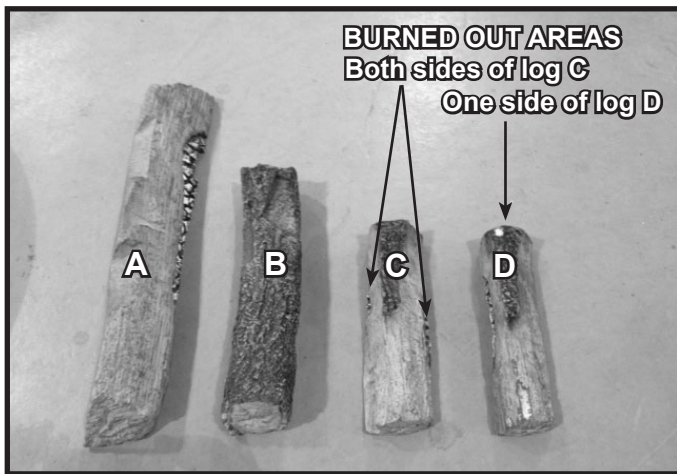


Figure 1. LOG A, LOG B, LOG C, LOG D

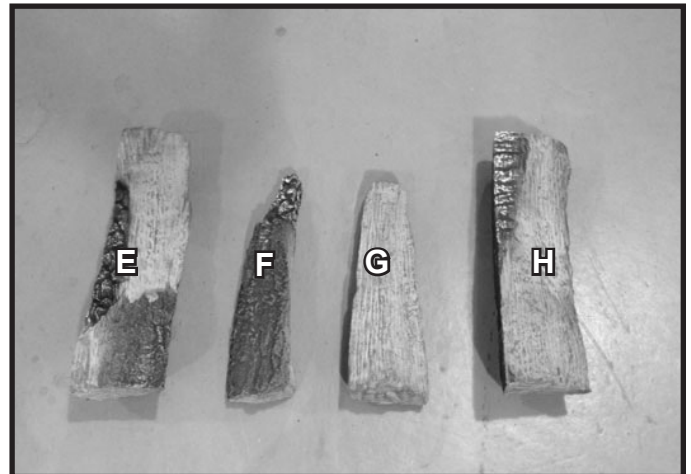


Figure 2. LOG E, LOG F, LOG G, LOG H

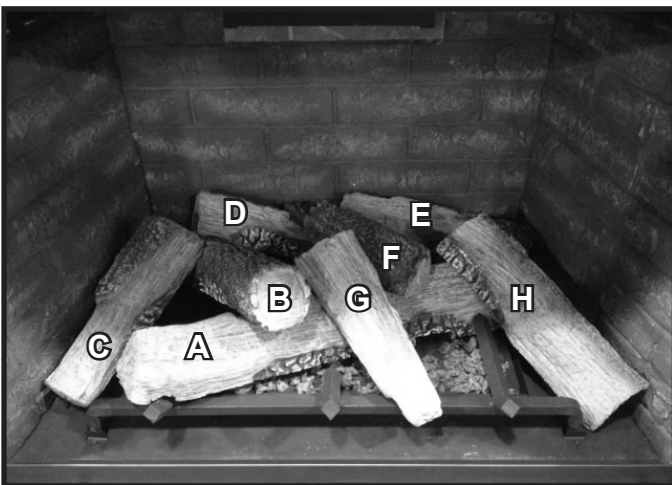


Figure 3. LOGSDBDV36PLAT Log Set Assembled

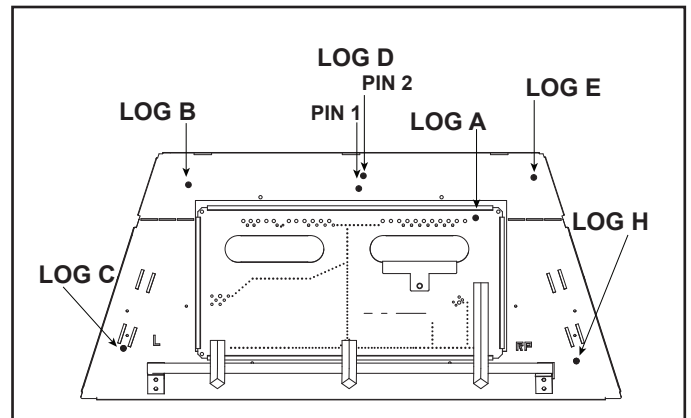


Figure 4. LOGSDBDV36PLAT Log Pin Locations

## LOG INSTALLATION:

**Note:** Logs are placed in appliance in alphabetical order.

1. **(LOG A):** Place Log A into appliance as shown in Figure 5. The notch on the bottom of the left end should rest on the left grate tine. The right end of Log A should rest against the rear of the right grate tine, and in front of the "Log A" pin indicated in Figure 4. Slide Log A toward the front of the appliance.

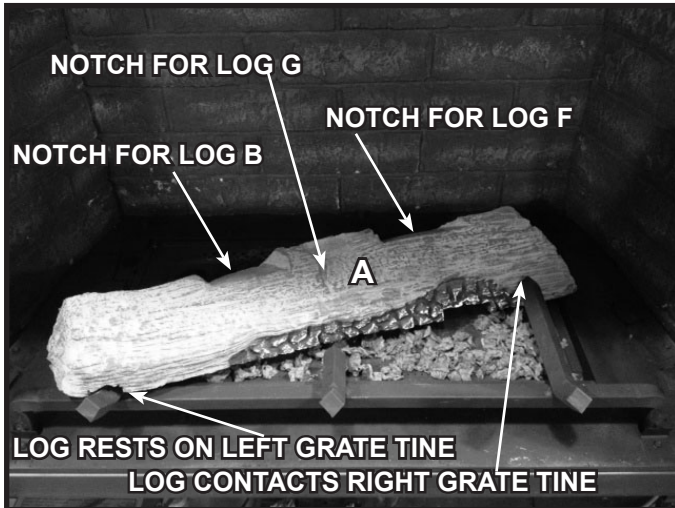


Figure 5. Log A Installed

2. **(LOG B):** Locate the pin for Log B on Figure 4. Position Log B in the appliance with the notches in the log toward the rear of the appliance. The log should contact the log pin at the rear. Place the front of Log B in the notch on Log A. See Figure 6.

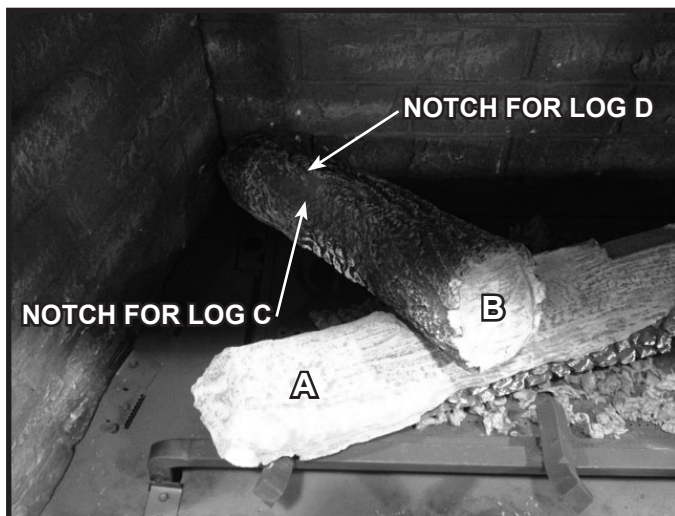


Figure 6. Log B Installed

3. **(LOG C):** Locate the pin for Log C in Figure 4. Position Log C in the appliance with the bark end up and facing the rear of the appliance. The bottom end of Log C should rest against the pin and touch the refractory. The bark end of Log C should rest in the notch on Log B. See Figure 7.



Figure 7. Log C Installed

4. **(LOG D):** Locate the pins for Log D in Figure 4. Place Log D in the appliance with the burned out area of that log facing the front of the appliance, as shown in Figure 8. The right side of the log should contact Pin 2, and the left side of the log should rest in the notch on Log B. Log D should contact the back refractory. Log Pin 1 should help stabilize Log D in the event that it would tip forward.

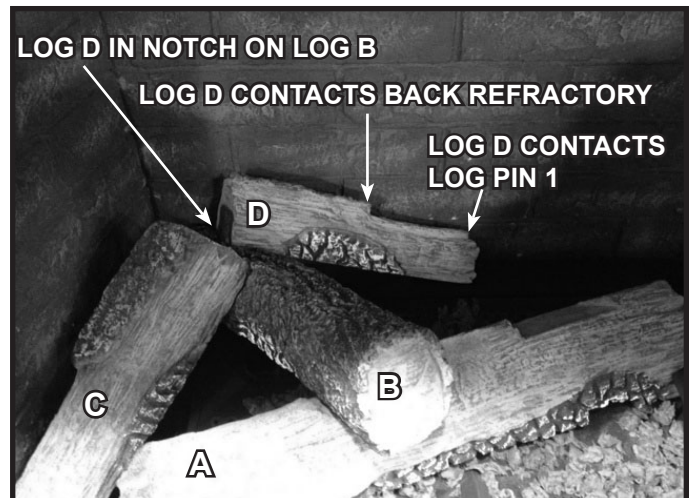


Figure 8. Log D Installed



5. **(LOG E):** Locate the pin for Log E in Figure 4. Place Log E into the appliance with the burned out area facing the front of the appliance. The right end of the log should rest against the log pin, and the left end of the log should rest on Log D. The back of Log E should contact the back refractory. See Figure 9.

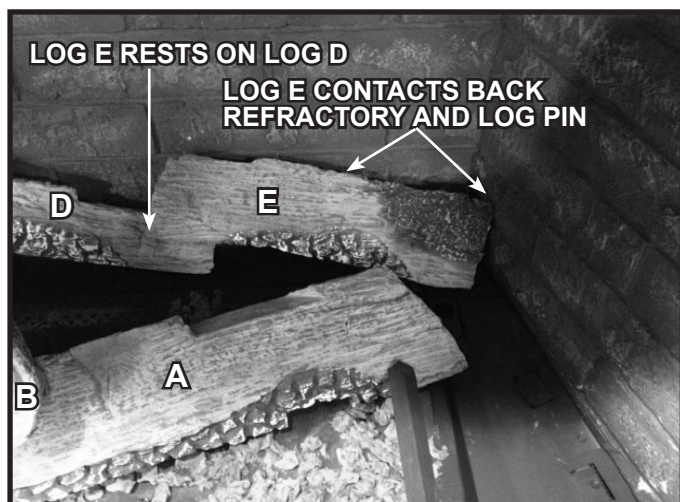


Figure 9. Log E Installed

6. **(LOG F):** Place the narrow end of Log F into appliance as shown in Figure 10. The narrow end of the log will contact the back brick refractory, or be about 1/2 inch away from the optional black glass refractory, and rest against the notch on Log D. The front of Log F rests in the notch on Log A. Log F should contact the left edge of the notch on Log A.

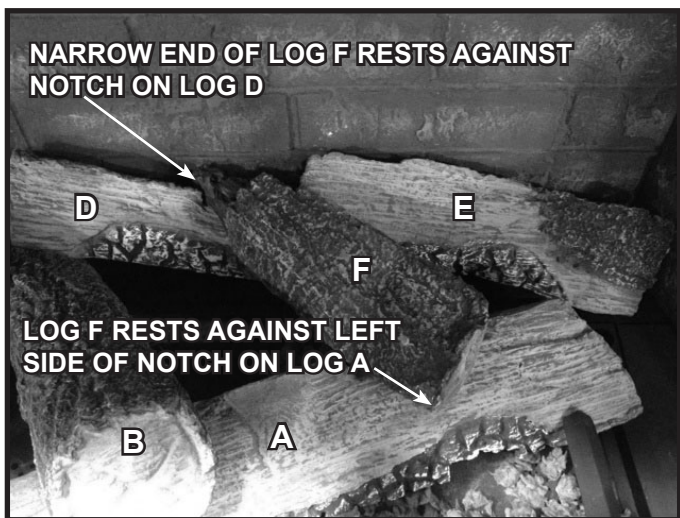


Figure 10. Log F Installed

6. **(LOG G):** Place Log G into the appliance as shown in Figure 11. The notch on the bottom of the log should rest on the horizontal grate tine, approximately halfway between the middle and right grate tines. The top of Log G rests in the notch of Log A. It will be spaced almost equally between Logs B and F.

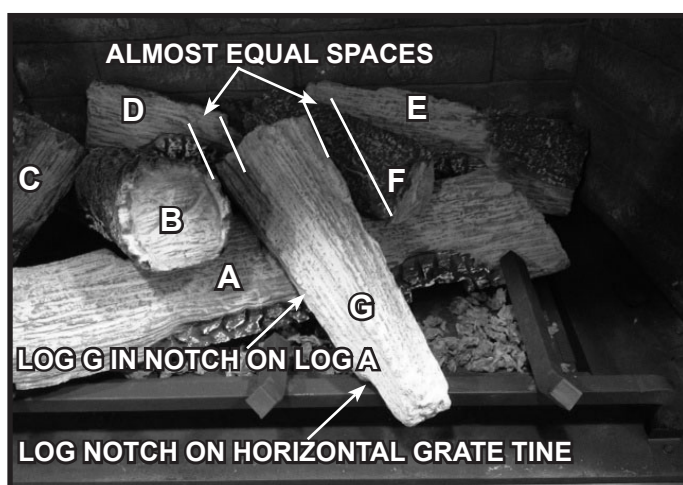


Figure 11. Log G Installed

6. **(LOG H):** Locate the pin for Log H in Figure 4. Place Log H into Appliance as shown in Figure 12. The base of the Log should rest against the log pin. The log will also contact the right refractory. The top end of the log will rest on Log A and be spaced about one inch from Log F. Figure 3 shows the completed log installation.

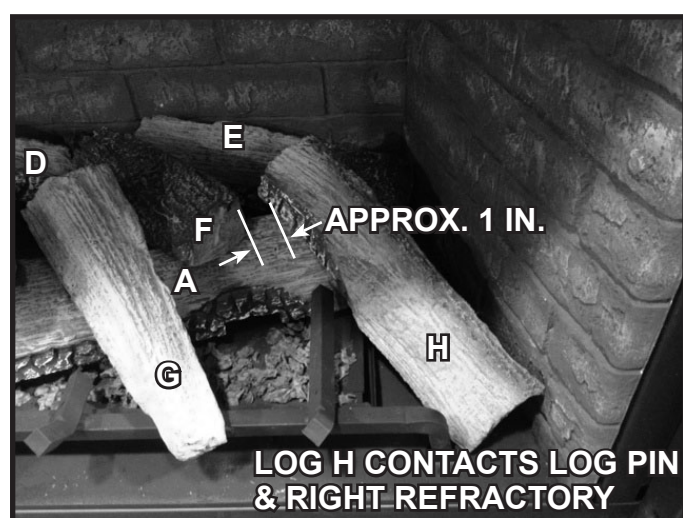


Figure 12. Log H Installed

**Note:** See section 11.E of appliance installation manual for details on placement of lava rock and embers.

## Placement for LOGSDBDV42PLAT

**Models: DBDV42PLATIN/DBDV42PLATIL/MERIDPLA42IN/MERIDPLA42IL**

**CAUTION:** Logs are fragile, handle with care.

**Log A:** SRV2454-701

**Log B:** SRV2454-702

**Log C:** SRV2454-707 (QTY 2)

**Log D:** SRV2397-702

**Log E:** SRV2454-704 (QTY 2)

**Log F:** SRV2454-705

**Log G:** SRV2454-706

**Log H:** SRV2397-706

**NOTICE:** To simplify the installation process, positively identify each individual log before beginning installation.

**Note:** Logs are placed in appliance in alphabetical order with the exception of Log C2 and Log E2.

### LOG IDENTIFICATION:

Reference Figure 1 and 2 for log identification of logs. It is important to lay the logs out in order as shown in Figure 1 and Figure 2. Some logs are similar to others in shape or size so it is imperative to correctly identify each log. The unique features for each log are described below. Figure 3 shows the completely assembled log set.

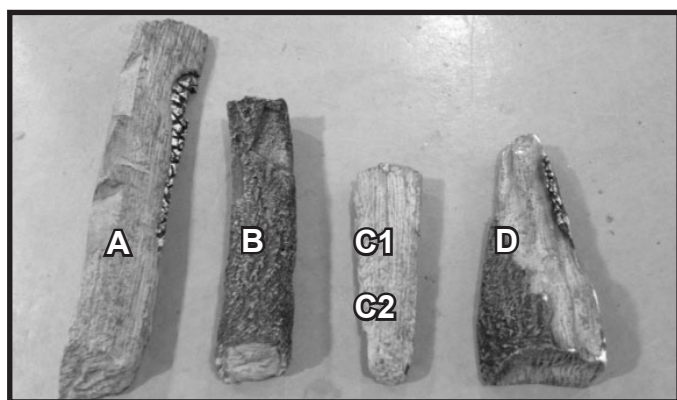


Figure 1. LOG A, LOG B, LOG C, LOG D

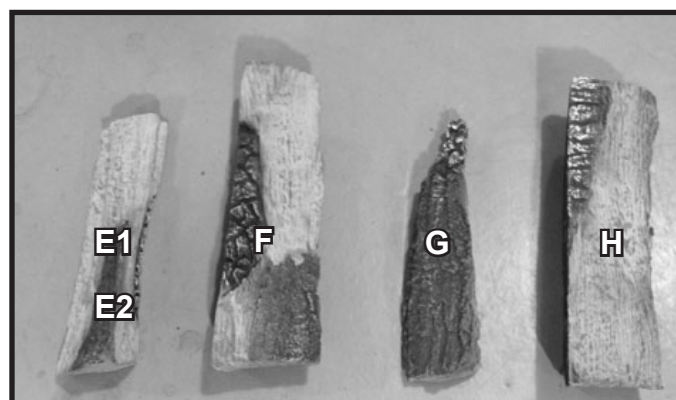


Figure 2. LOG E, LOG F, LOG G, LOG H

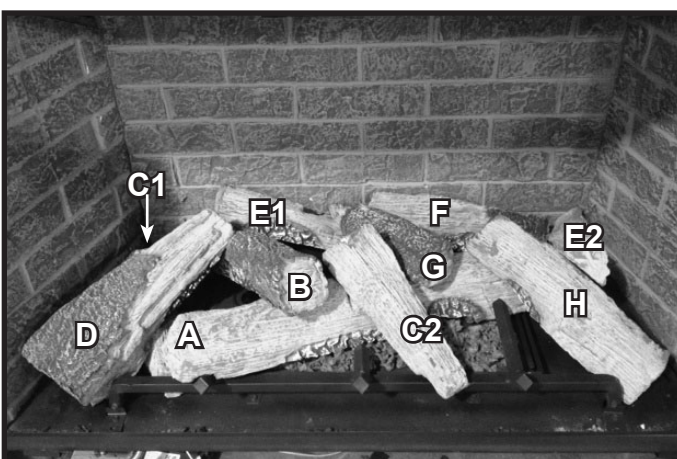


Figure 3. LOGSDBDVPLAT42 Log Set Assembled

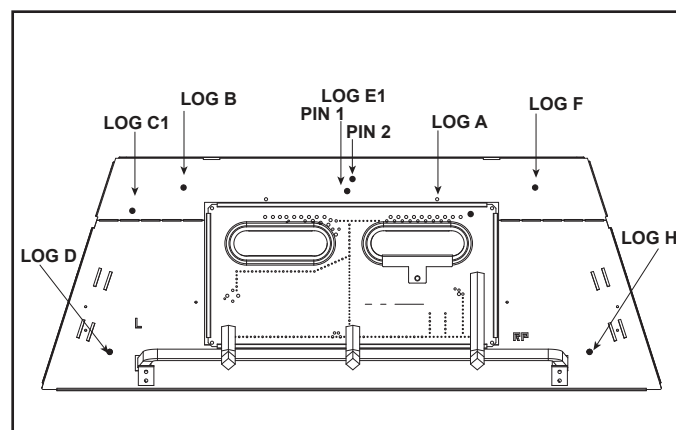


Figure 4. LOGSDBDVPLAT42 Log Pin Locations



## LOG INSTALLATION:

**Note:** Logs are placed in appliance in alphabetical order.

1. **(LOG A):** Place Log A into appliance as shown in Figure 5. The notch on the bottom of the left end should rest on the left grate tine. The right end of Log A should rest against the rear of the right grate tine, and in front of the “Log A” pin indicated in Figure 4. Slide Log A toward the front of the appliance.

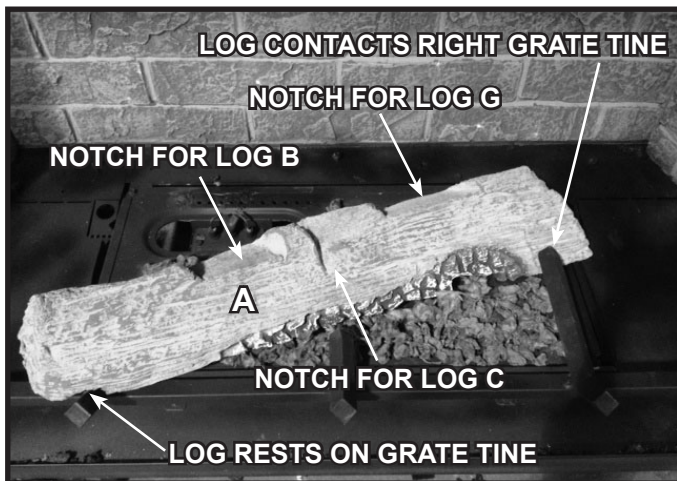


Figure 5. Log A Installed

2. **(LOG B):** Locate the pin for Log B on Figure 4. Position Log B in appliance with notches toward the rear of appliance. Middle of log should be placed against the log pin at the rear and the front of Log B is positioned in the notch on Log A. See Figure 6.

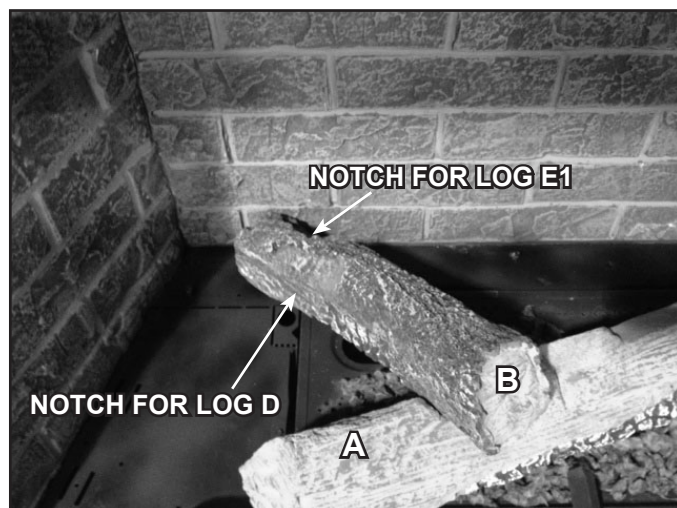


Figure 6. Log B Installed

3. **(LOG C):** Locate the pin for Log C1 on Figure 4. Position Log C1 in appliance as shown in Figure 7. The rear of the log will rest against the pin with the left side touching the left refractory. The narrow end of the log should be pivoted right until it contacts the burner skirt.

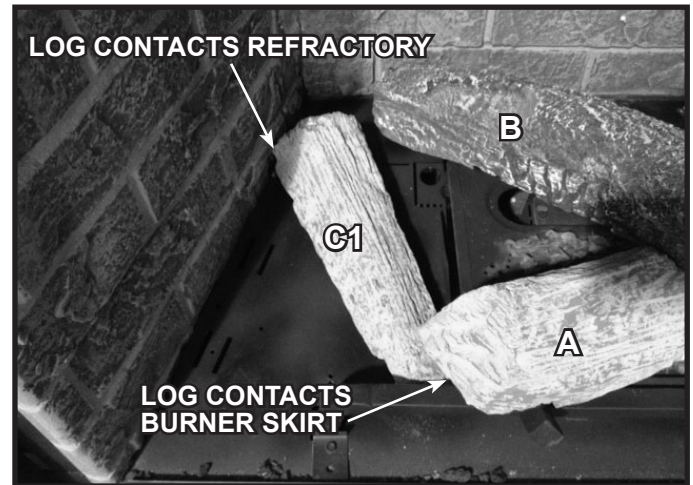


Figure 7. Log C1 Installed

4. **(LOG D):** Locate the pin for Log D in Figure 4. Position the log in the appliance as shown in Figure 8. The base of the log (wider end) will rest against the log pin and will contact the grate tine. The top (narrow end) of the log should rest in the notch on Log B.

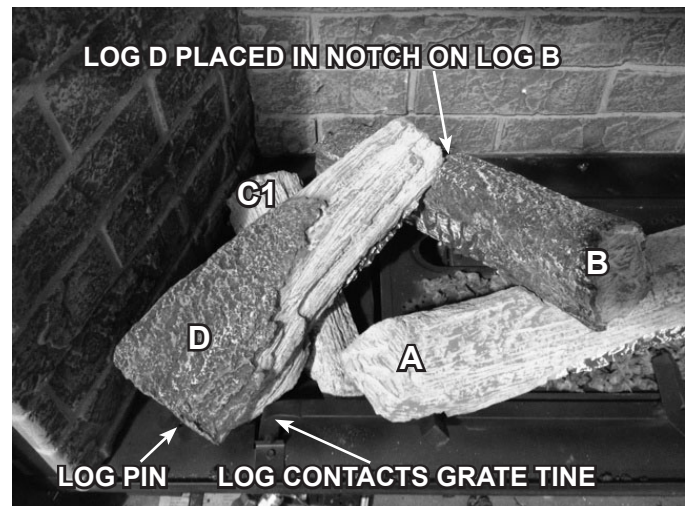


Figure 8. Log D Installed

5. **(LOG E1):** Locate the pins for Log E1 in Figure 4. Place Log E1 in appliance with the burned out area of the log facing the front of the appliance as shown in Figure 9. The right side of the log should contact Pin 2, and the left side of the log should rest in the notch on Log B. Log E1 should contact the back refractory. Log Pin 1 should help stabilize Log E1 in the event it would tip forward.

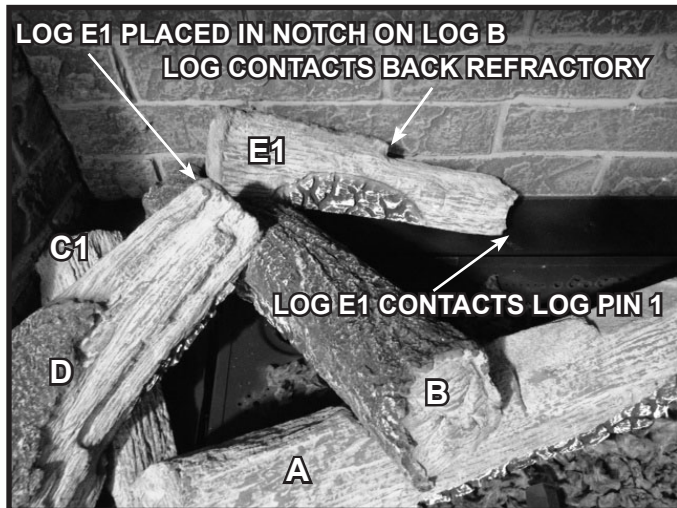


Figure 9. Log E1 Installed

6. **(LOG F):** Locate the pin for Log F in Figure 4. Place Log F into the appliance as shown in Figure 10 with the burned out area facing the front of the appliance. The right side of the log will rest against the log pin and the left side will rest on top of Log E1. The log should contact the back refractory.

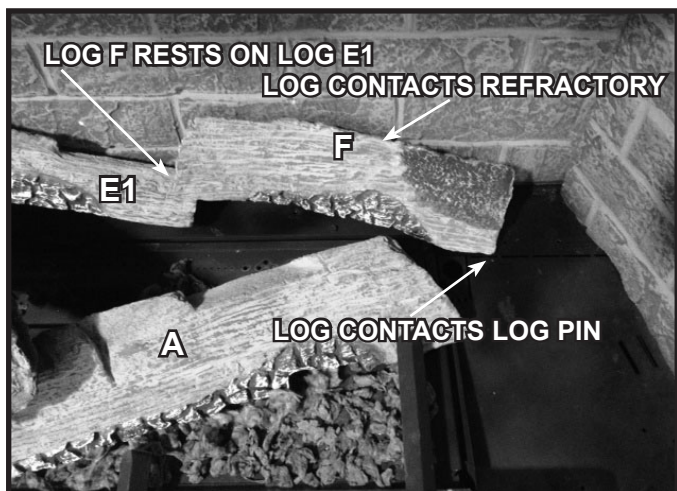


Figure 10. Log F Installed

7. **(LOG G):** Place Log G into appliance as shown in Figure 11. The narrow end of the log will contact the back brick refractory, or be about 1/2 inch away from the optional black glass refractory, and the right side contacts Log F. The front of Log G rests in the notch of Log A. Log G should be positioned to the left side of the notch in Log A.

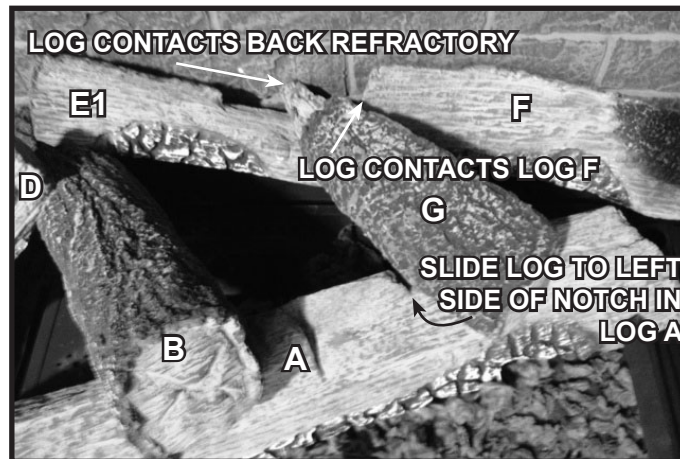


Figure 11. Log G Installed

8. **(LOG C2):** Place Log C2 into the appliance as shown in Figure 12. The notch on the bottom of Log C2 should rest on the horizontal grate tine, approximately halfway between the middle and right grate tines. The top of Log C2 rests in the notch of Log A. It will be spaced almost equally between Logs B and G.

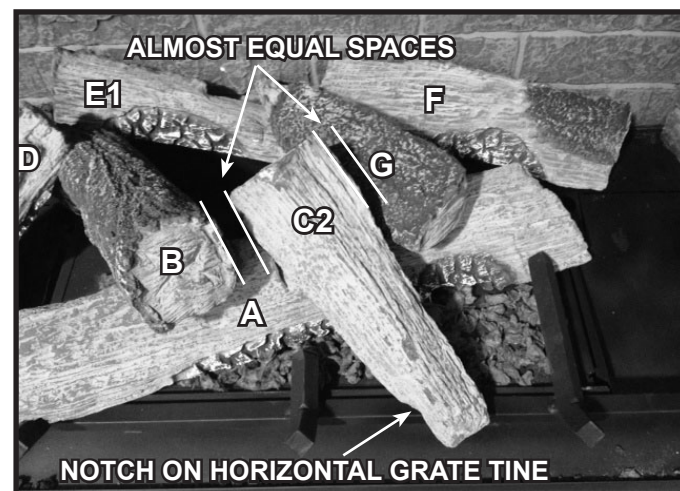


Figure 12. Log C2 Installed



9. **(LOG H):** Locate the pin for Log H in Figure 4. Place Log H into the appliance as shown in Figure 13. The base of the log should rest against the log pin and also contact the grate tine. The top of Log H will rest on Log A and be spaced about one inch from Log G.

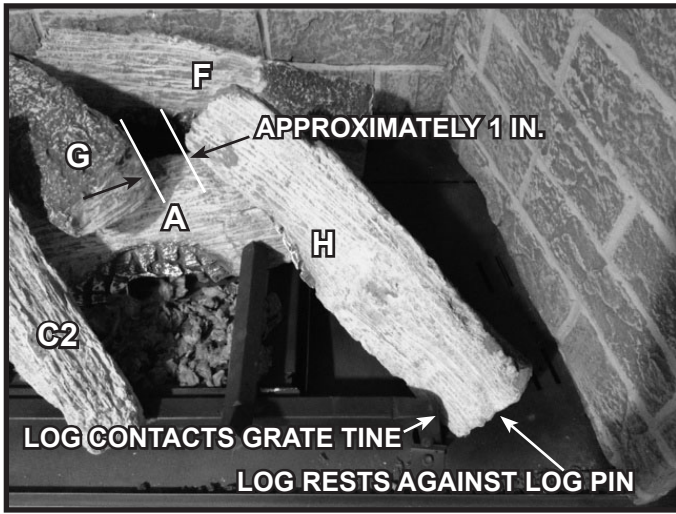


Figure 13. Log H Installed

10. **(LOG E2):** Place Log E2 into the appliance as shown in Figure 14 with the burned out portion toward the center of the appliance. The base of the log will be in the right rear corner, contacting both the rear and right side refractory. The flat (bottom) side of the log will rest on Log H, approximately equally spaced between the top and bottom. See Figure 3 for completed log set installation.

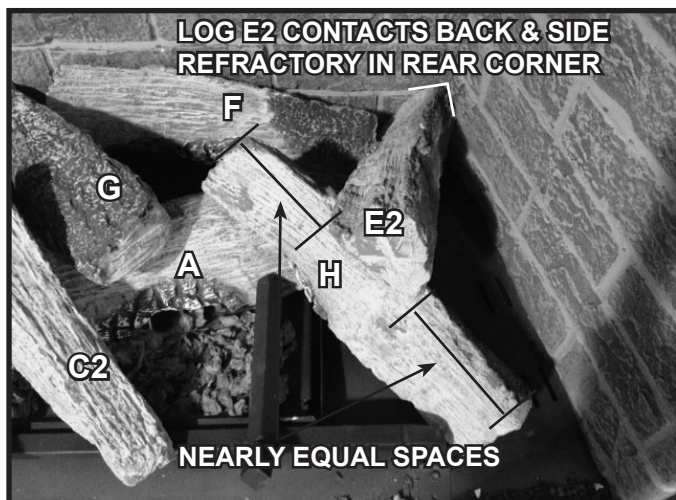


Figure 14. Log E2 Installed

**Note:** See section 11.E of appliance installation manual for details on placement of lava rock and embers.

## G. IntelliFire Touch® Control System Setup

- Detailed instructions for electrical wiring and connections are provided in Section 8.
- Determine if this appliance is equipped with a Module Reset Switch. See Section 8. Verify this switch is in the ON position.
- Verify that the 3-Position switch on the IFT-ECM is switched to the REMOTE position. Detailed Operating Instructions for the IFT-ECM are provided in Section 3.J of the Owner's Manual.

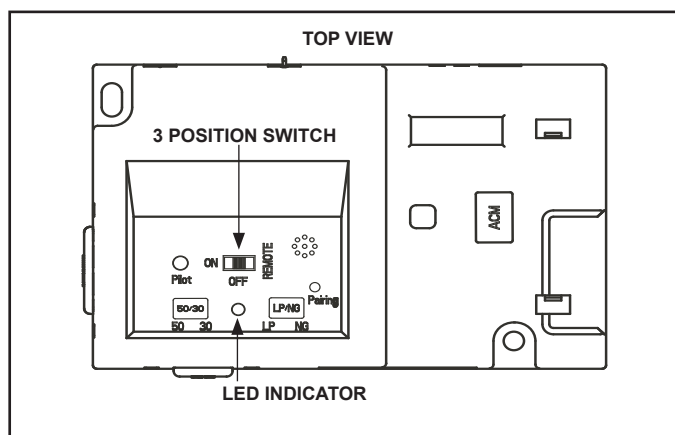


Figure 11.4 IFT-ECM

If this appliance is being upgraded to an optional IntelliFire Touch Remote Control, and/or optional power vent, fan, or light kit are added as new accessory upgrade(s) to fireplace:

1. The RC400 remote will need to be paired to the ECM.
2. Follow the installation instructions provided with the IntelliFire Touch remote and/or accessory kit(s).



# 12 Reference Materials

## A. Vent Components Diagrams

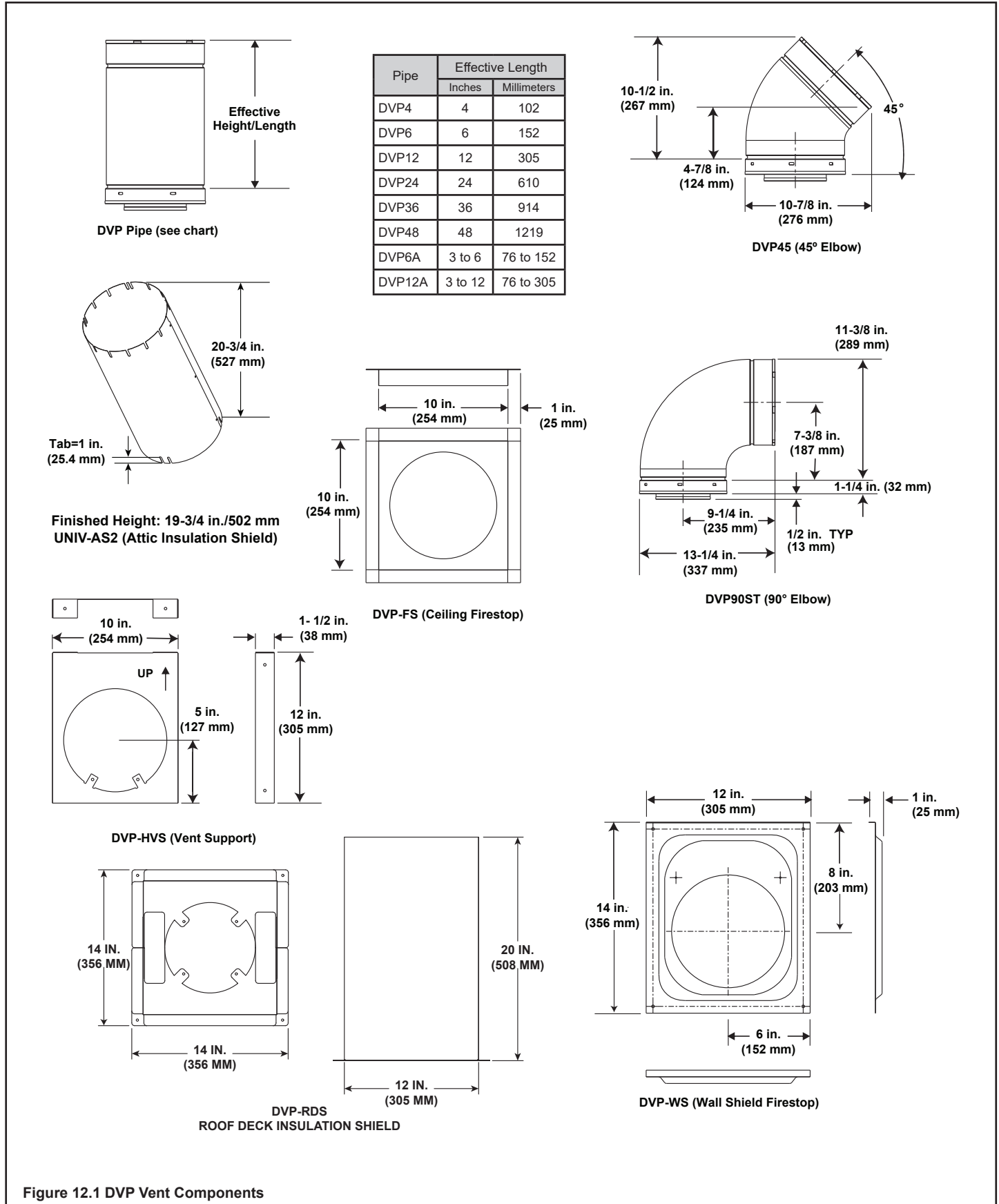
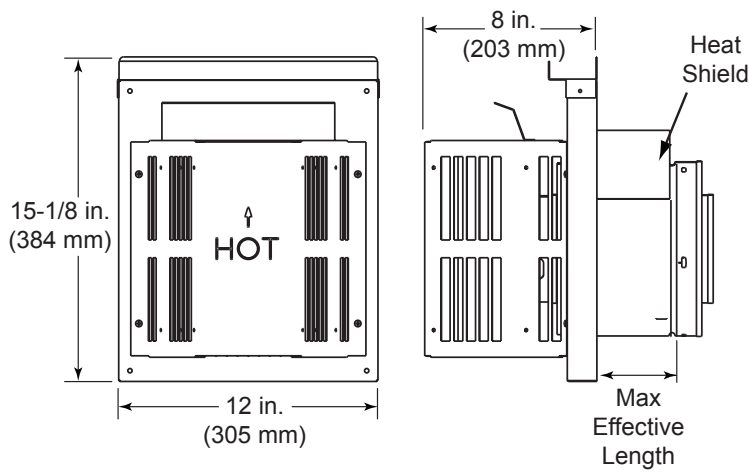


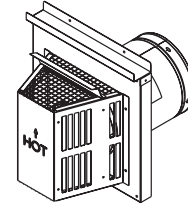
Figure 12.1 DVP Vent Components

## A. Vent Components Diagrams (continued)

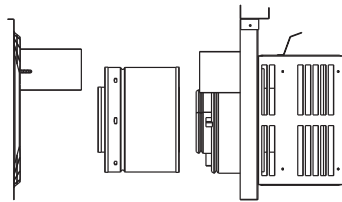
Note: Heat shields **MUST** overlap by a minimum of 1-1/2 in. (38 mm). The heat shield is designed to be used on a wall 4 in. to 7-1/4 in. (102 mm to 184 mm) thick. If wall thickness is less than 4 in. (102 mm) the existing heat shields must be field trimmed. If wall thickness is greater than 7-1/4 in. (184 mm) a DVP-HSM-B will be required.



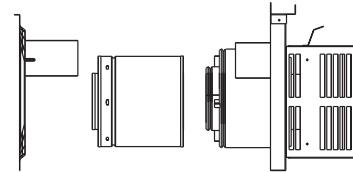
**DVP-TRAP**  
Horizontal Termination Cap



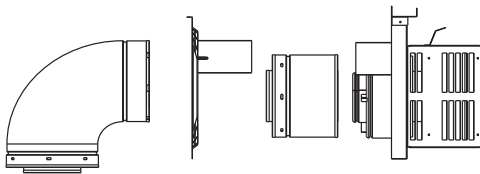
| Term Cap | Minimum Effective Length | Maximum Effective Length |
|----------|--------------------------|--------------------------|
| Trap1    | 3-1/8 in.                | 4-5/8 in.                |
|          | 79 mm                    | 117 mm                   |
| Trap2    | 5-3/8 in.                | 9-3/8 in.                |
|          | 137 mm                   | 238 mm                   |



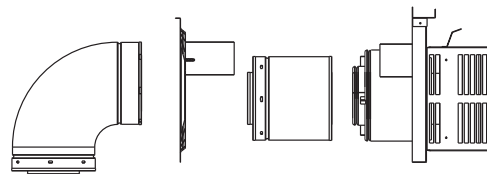
**DVP-TRAP1**



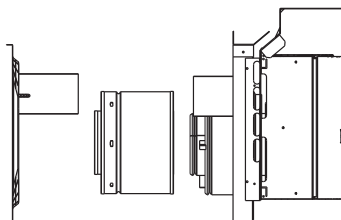
**DVP-TRAP2**



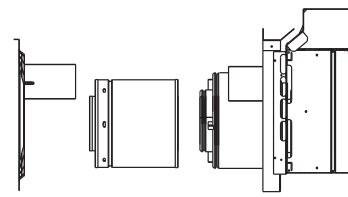
**DVP-TRAPK1**



**DVP-TRAPK2**



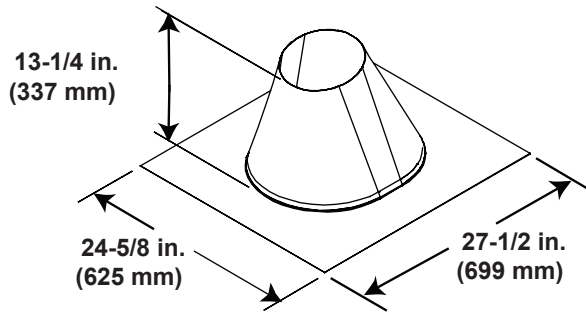
**DVP-HPC1**



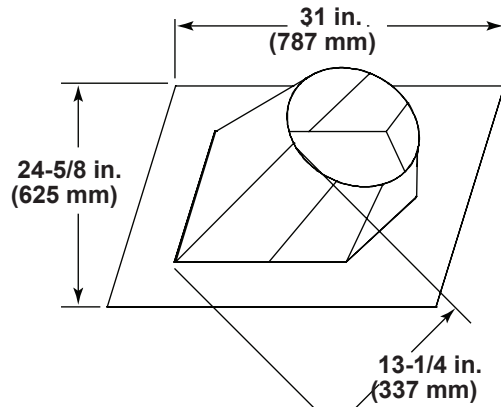
**DVP-HPC2**

Figure 12.2 DVP Vent Components

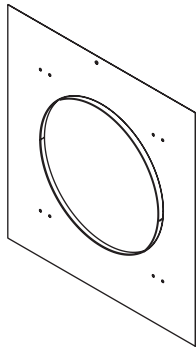
**A. Vent Components Diagrams (continued)**



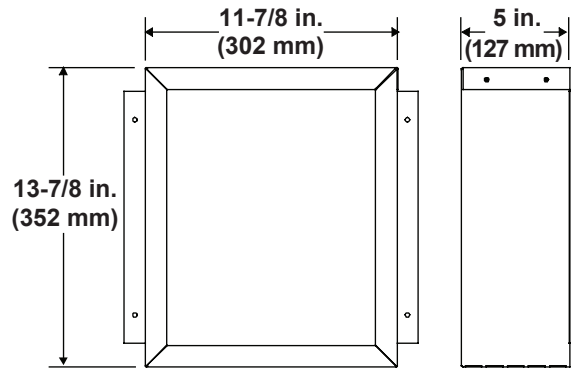
**RF6  
Roof Flashing**



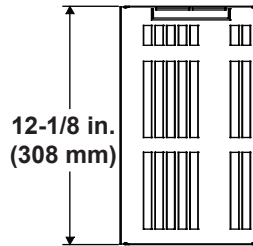
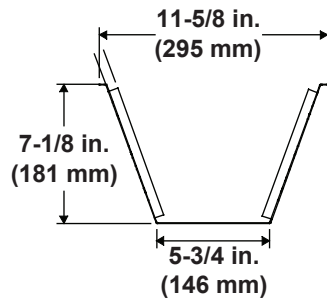
**RF12  
Roof Flashing**



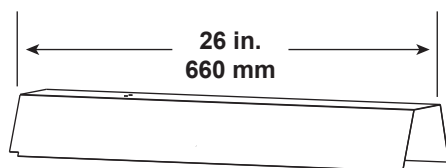
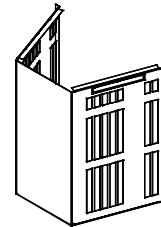
**DVP-TRAPFL  
Flashing**



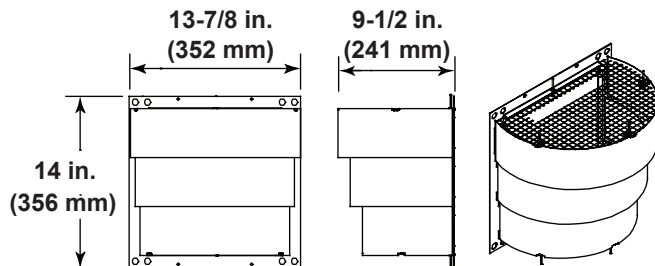
**DVP-BEK2  
DVP-HPC Cap Brick Extension**



**COOL-ADDM  
Cap Shield**



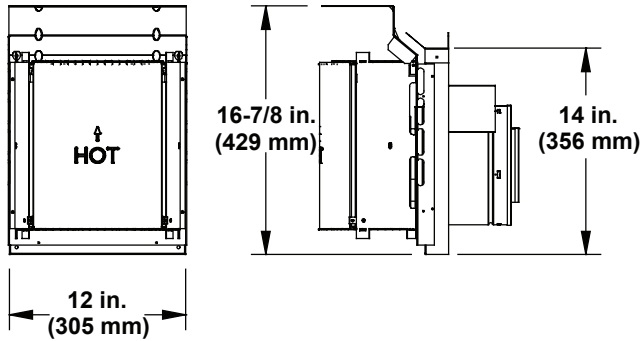
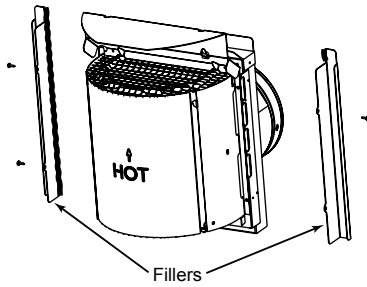
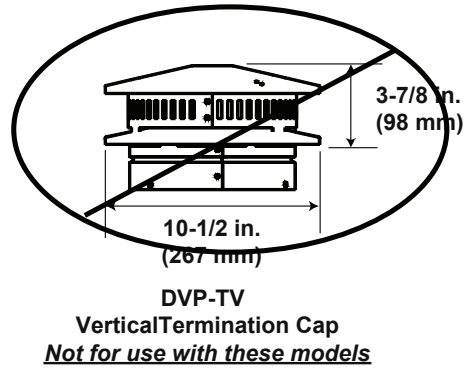
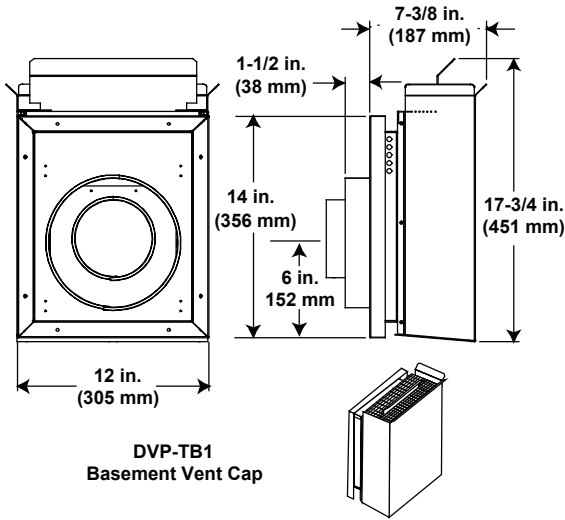
**DVP-HSM-B  
Extended Heat Shield**



**DRC-RADIUS  
Cap Shield**

**Figure 12.3 DVP Vent Components**

# A. Vent Components Diagrams (continued)



**DVP-TRAP to DVP-HPC Side Filler Kit**

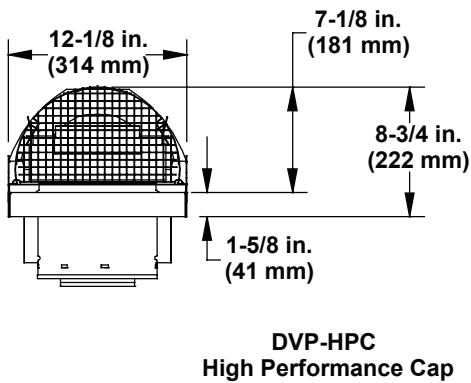
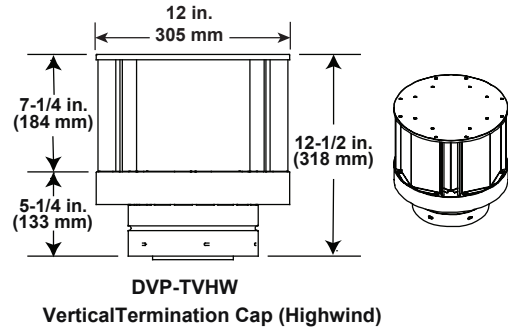
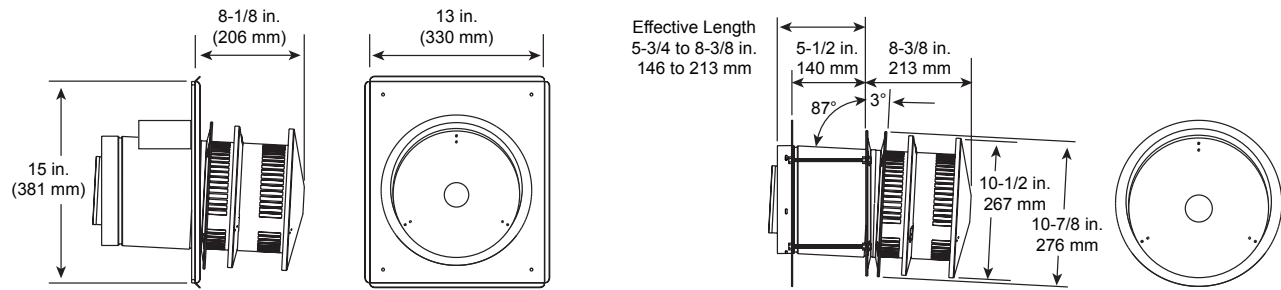


Figure 12.4 DVP Vent Components

## A. Vent Components Diagrams (continued)



### **WARNING**

#### Fire Risk.

- When using DVP-HRC-SS and DVP-HRC-ZC-SS termination cap on top vented fireplaces, a 6 inch minimum vertical vent section is required before installing first elbow.

#### DVP-HRC-SS DVP-HRC-ZC-SS HORIZONTAL TERMINATION CAP

## DECORATIVE TERMINATIONS/SHROUDS

Only use listed decorative termination caps/shrouds with Hearth & Home Technologies approved venting systems.

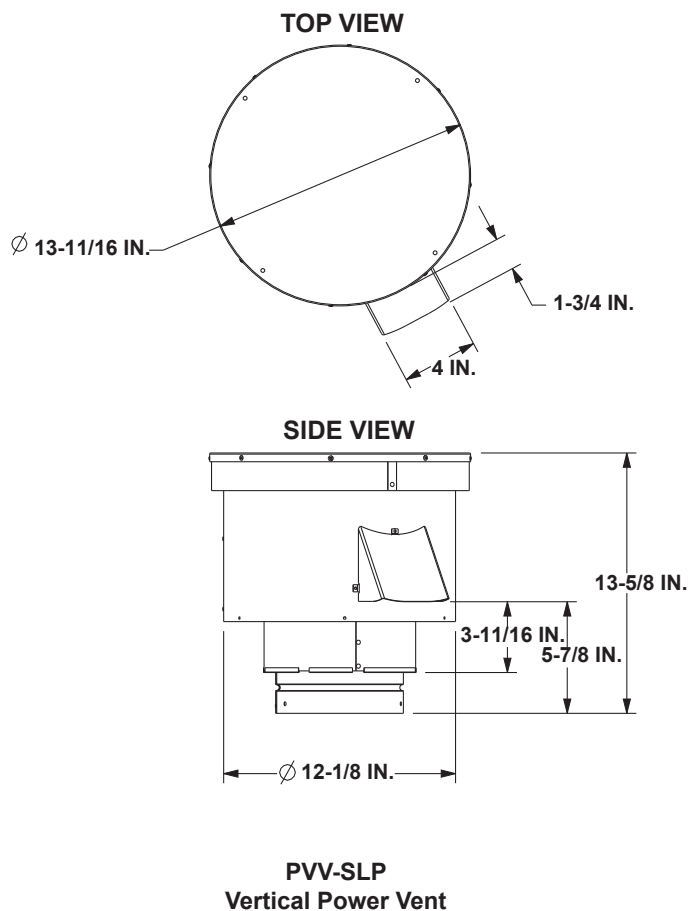
This applies to both DVP and SLP venting systems.

### Decorative Terminations Caps/Shrouds

DTO134  
DTO146  
DTS134  
DTS146  
LDS33  
LDS46  
LDS-BV

Figure 12.5 DVP Vent Components

## A. Vent Components Diagrams (continued)



| Optional Wire Harness  |             |
|------------------------|-------------|
| DESCRIPTION            | PART NUMBER |
| 10 FT PV Wire Harness  | PVI-WH10    |
| 20 FT PV Wire Harness  | PVI-WH20    |
| 40 FT PV Wire Harness  | PVI-WH40    |
| 60 FT PV Wire Harness  | PVI-WH60    |
| 80 FT PV Wire Harness  | PVI-WH80    |
| 100 FT PV Wire Harness | PVI-WH100   |

**Note:** A wire harness is required to power the PVV-SLP and connect it to the appliance. It is ordered separately from the PVV-SLP. Contact your dealer to order.

**Note:** The PVV-SLEEVE-12 and/or PVV-SLEEVE-48 is required to be installed with the PVV-SLP. It is ordered separately from the PVV-SLP. Contact your dealer to order.

**Note:** The PVV-SLP requires one of the following options to be installed on this appliance.

Option A: IFT-RC400 and/or IFT-WFM, IFT-ACM and IntelliFire App that can be downloaded from the app store.

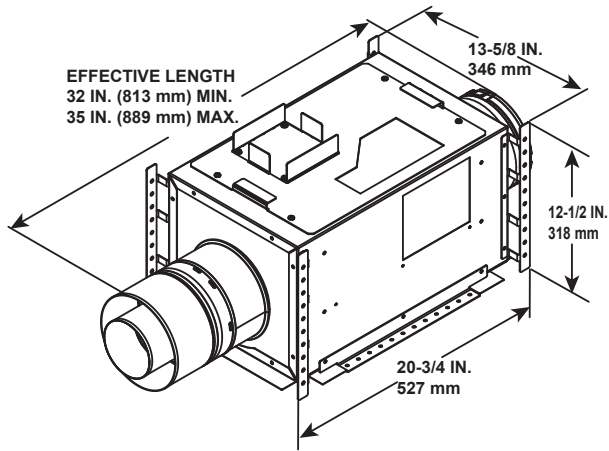
**OR**

Option B: IFT-RC150, IFT-ACM, IFT-WFM and an IntelliFire App that can be downloaded from the app store. These accessories are purchased separately from the PVV-SLP. Contact your dealer to order.

Figure 12.6 PVV-SLP Vent Components



## A. Vent Components Diagrams (continued)



**PVI-SLP-B**  
Power Vent Inline

| Optional Wire Harness  |             |
|------------------------|-------------|
| DESCRIPTION            | PART NUMBER |
| 10 FT PV Wire Harness  | PVI-WH10    |
| 20 FT PV Wire Harness  | PVI-WH20    |
| 40 FT PV Wire Harness  | PVI-WH40    |
| 60 FT PV Wire Harness  | PVI-WH60    |
| 80 FT PV Wire Harness  | PVI-WH80    |
| 100 FT PV Wire Harness | PVI-WH100   |

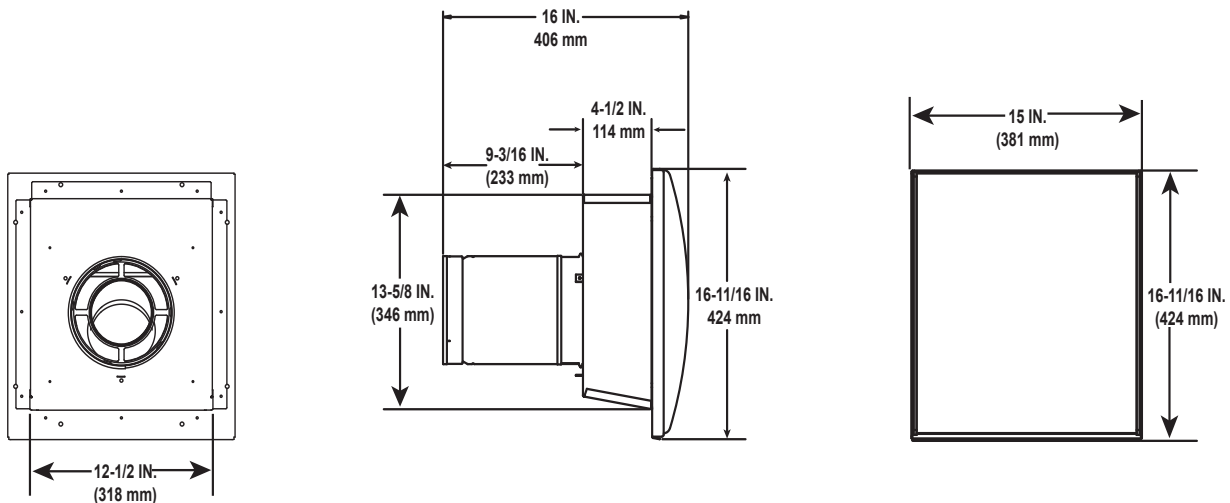
**Note:** Wire harnesses required to power the PVI-SLP-B connect to the appliance and are ordered separately from PVI-SLP-B. Contact your dealer to order.

**Note:** The PVI-SLP-B requires one of the following options to be installed on this appliance.

Option A: IFT-RC400 **OR**

Option B: IFT-RC150 and IFT-ACM.

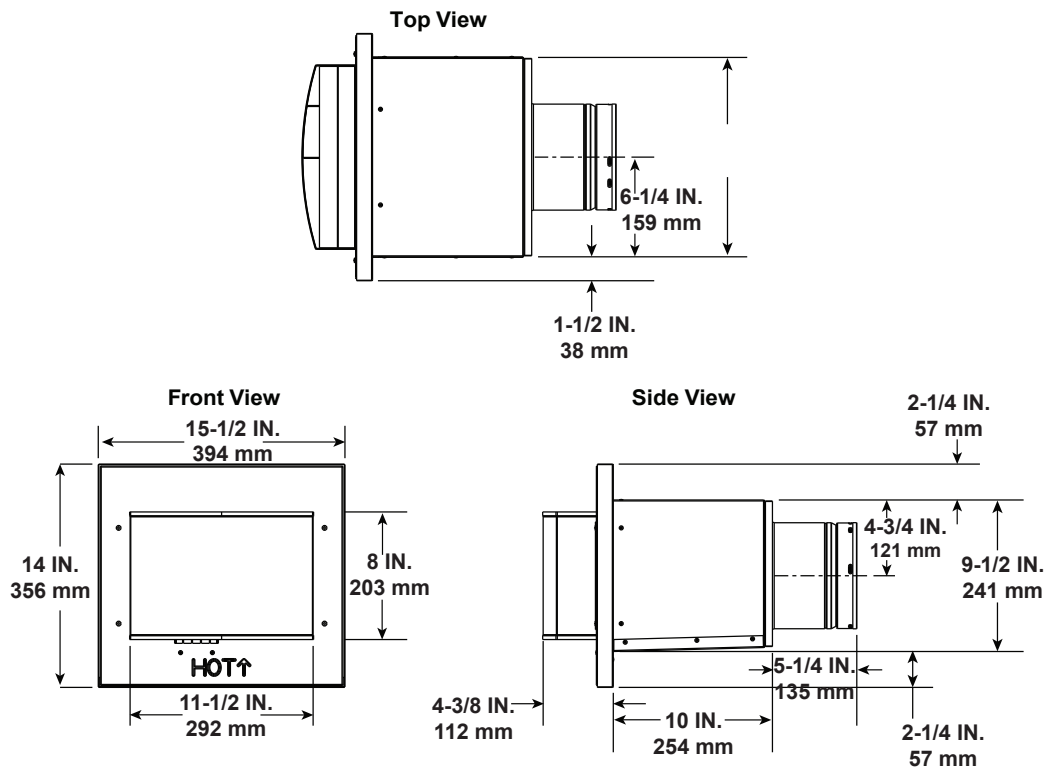
These accessories are purchased separately from the PVI-SLP-B. Contact your dealer to order.



**SLP-LPC**  
SLP Low Profile Cap  
(Approved for use with PVI-SLP-B only)

Figure 12.6 PVI-SLP-B Vent Components

## A. Vent Components Diagrams (continued)



**PVLP-SLP**  
Power Vent Low Profile

**Note:** Wire harnesses required to power the PVLP-SLP connect to the appliance and are ordered separately from PVLP-SLP. Contact your dealer to order.

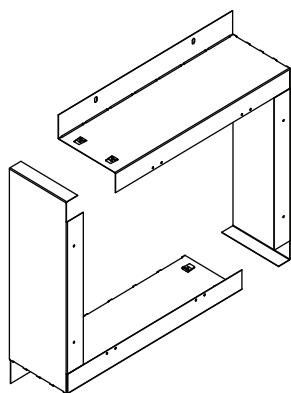
**Note:** A PVLP-HS heat shield is available and sold separately. Use if the PVLP-SLP is installed in a high traffic area.

**Note:** The PVLP-SLP requires one of the following options to be installed on this appliance.

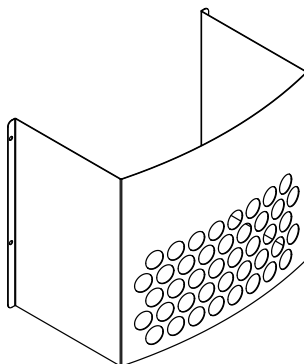
Option A: IFT-RC400 or

Option B: IFT-RC150 and IFT-ACM.

These accessories are purchased separately from the PVLP-SLP. Contact your dealer to order.



**PVLP-BEK**  
Brick Kit



**PVLP-HS**  
Heat Shield

| Optional Wire Harness  |             |
|------------------------|-------------|
| DESCRIPTION            | PART NUMBER |
| 10 FT PV Wire Harness  | PVI-WH10    |
| 20 FT PV Wire Harness  | PVI-WH20    |
| 40 FT PV Wire Harness  | PVI-WH40    |
| 60 FT PV Wire Harness  | PVI-WH60    |
| 80 FT PV Wire Harness  | PVI-WH80    |
| 100 FT PV Wire Harness | PVI-WH100   |

Figure 12.7 PVLP-SLP Vent Components

## A. Vent Components Diagrams (continued)

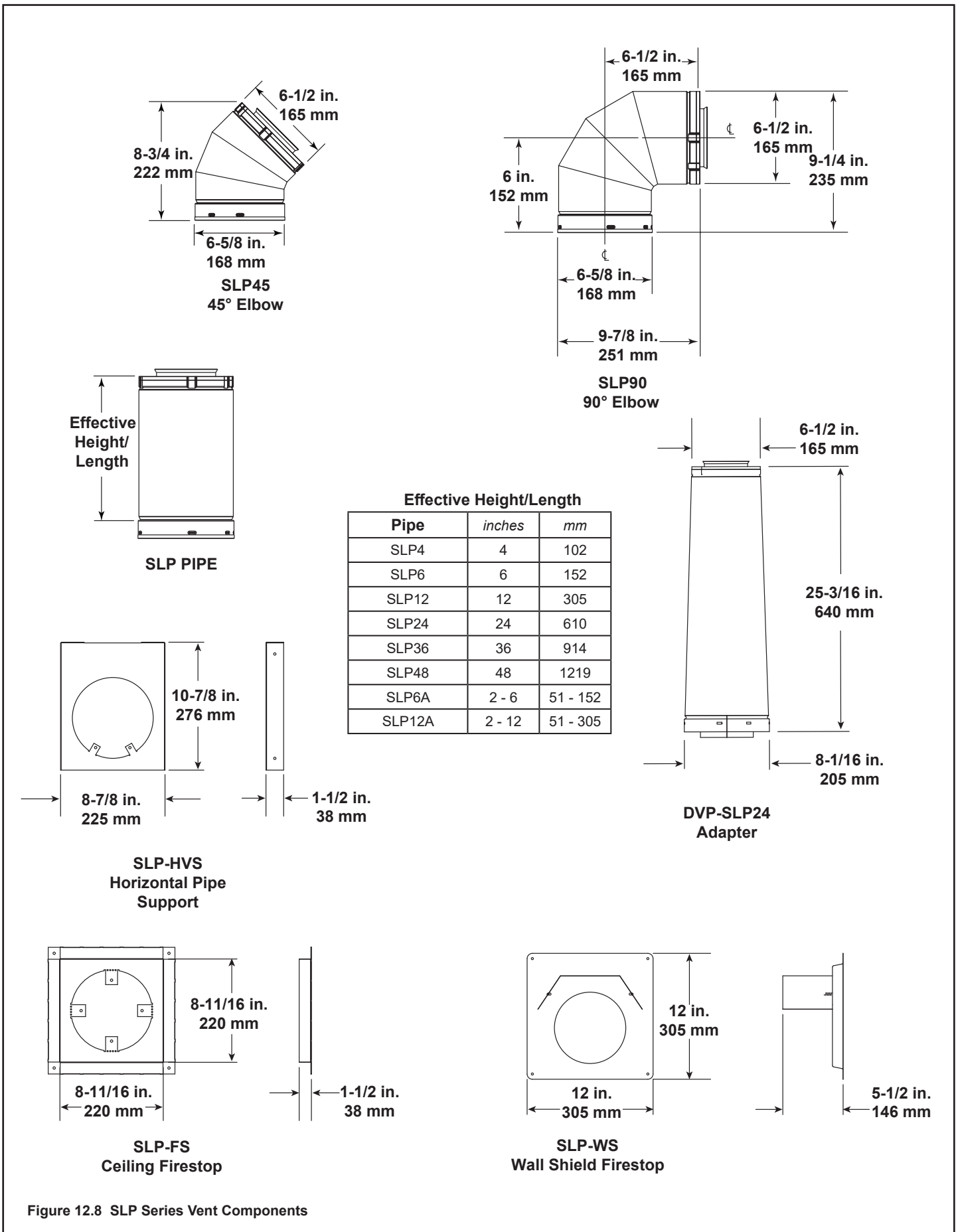


Figure 12.8 SLP Series Vent Components

## A. Vent Components Diagrams (continued)

**Note:** Heat shields **MUST** overlap by a minimum of 1-1/2 in. (38 mm). The heat shield is designed to be used on a wall 4 in. to 7-1/4 in. (102 mm to 184 mm) thick. If wall thickness is less than 4 in. (102 mm) the existing heat shields must be field trimmed. If wall thickness is greater than 7-1/4 in. (184 mm) a DVP-HSM-B will be required.

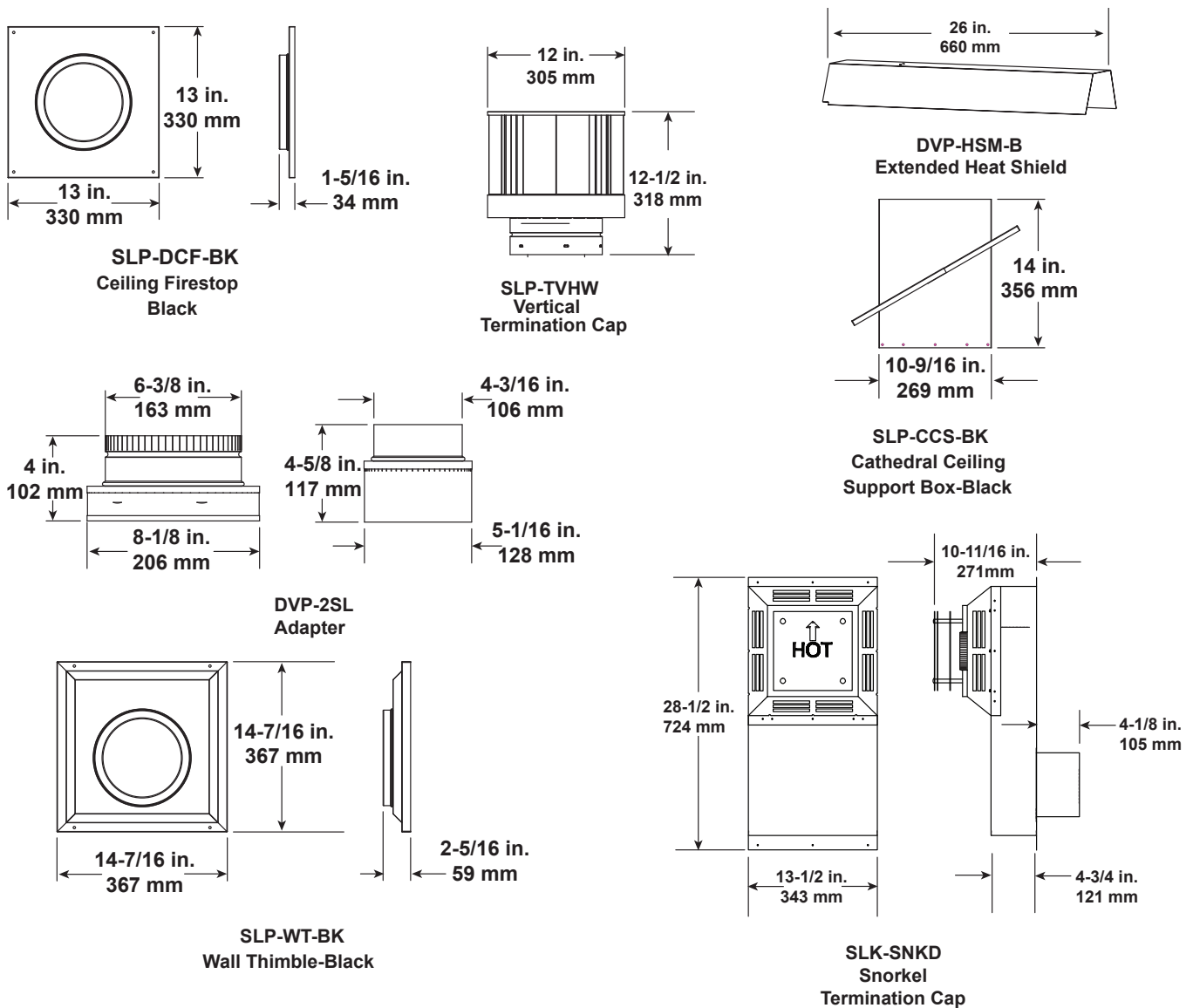
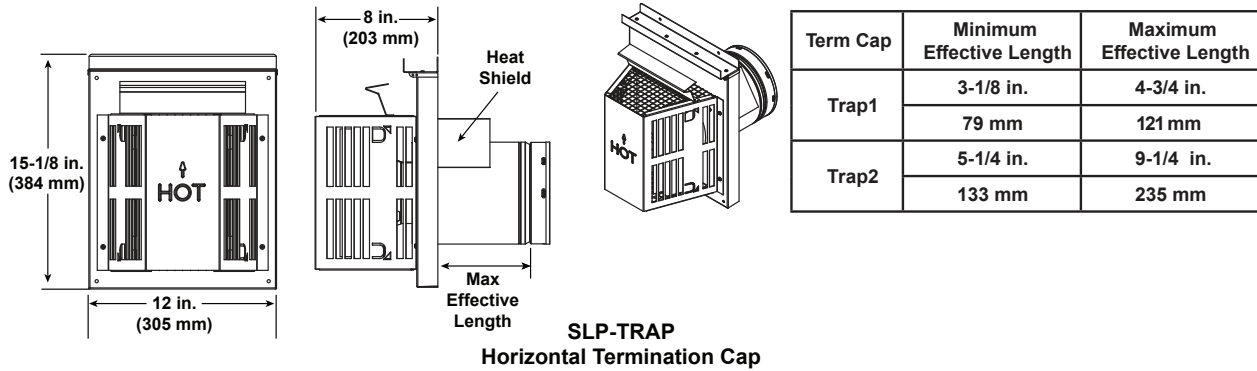


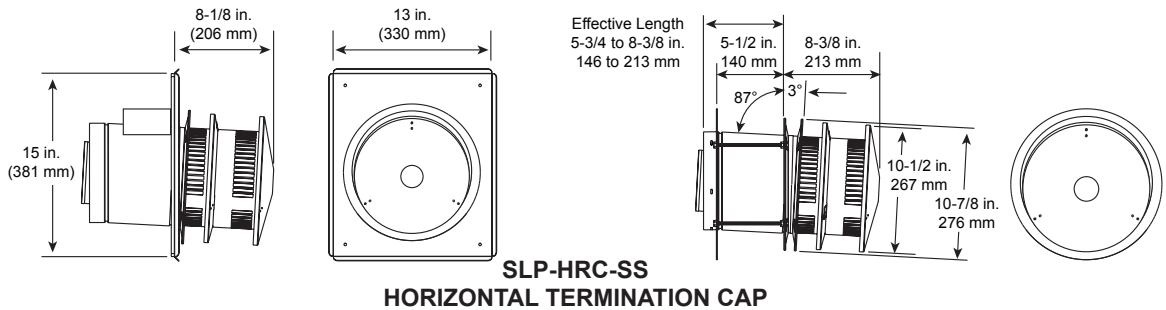
Figure 12.9 SLP Series Vent Components

## A. Vent Components Diagrams (continued)

**⚠ WARNING**

**Fire Risk.**

- When using SLP-HRC-SS termination cap on top vented fireplaces, a one foot minimum vertical vent section is required before installing first elbow.
- When using DVP-TB1 termination cap on top vented fireplaces, a three foot minimum vertical vent section is required before installing first elbow.



### Extended Heat Shield

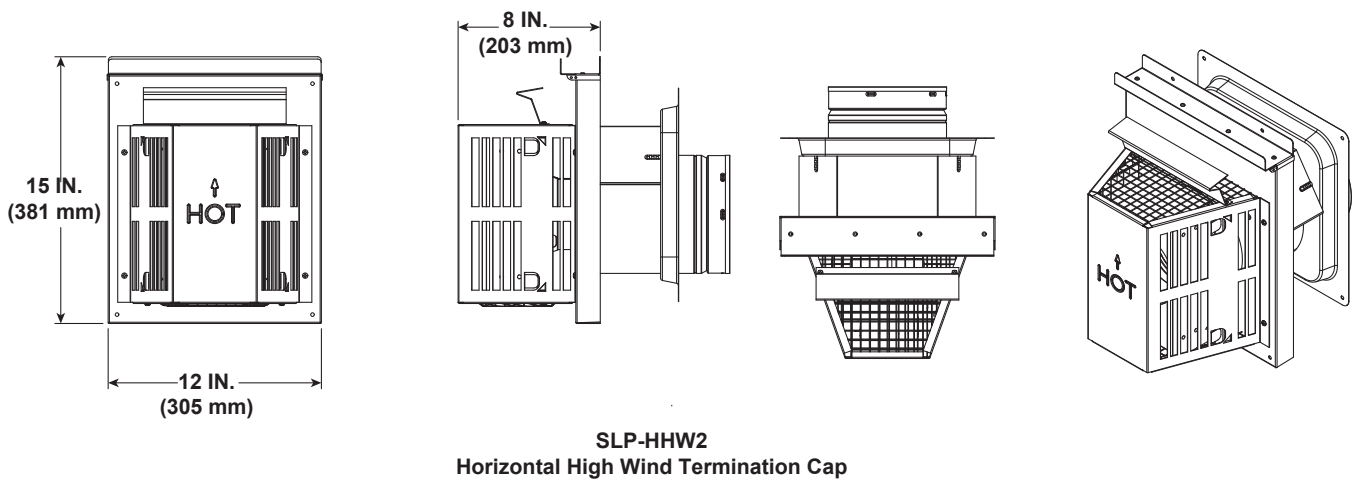
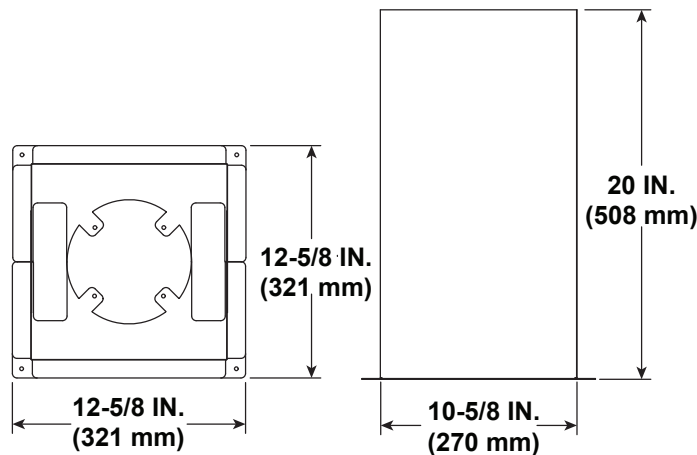


Figure 12.10 SLP Series Vent Components

## **B. Accessories**

### **Optional Remote Controls, Wall Controls and Wall Switches**

Follow the instructions supplied with the control installed to operate your fireplace:

For safety:

- Install a switch lock or a wall/remote control with child protection lockout feature.
- Keep remote controls out of reach of children.

See your dealer if you have questions.

### **Refractory (Required)**

Refractory is required for this appliance. Contact your dealer for refractory options.

### **Optional Fan**

Follow the instructions supplied with the fan kit to operate your fan. See your dealer if you have questions.

### **Optional Heat Management Kits**

Follow the instructions supplied with the kit for operation.

- Preparation of the appliance for installation of a heat management kit is discussed in Section 6.B.

Contact your dealer if you have questions.

Majestic, a brand of Hearth & Home Technologies  
7571 215<sup>th</sup> Street West, Lakeville, MN 55044  
[www.majesticproducts.com](http://www.majesticproducts.com)

Please contact your Majestic dealer with any questions or concerns.  
For the location of your nearest Majestic dealer,  
please visit [www.majesticproducts.com](http://www.majesticproducts.com).

*Printed in U.S.A. - Copyright 2021*