

# QUADRA-FIRE®

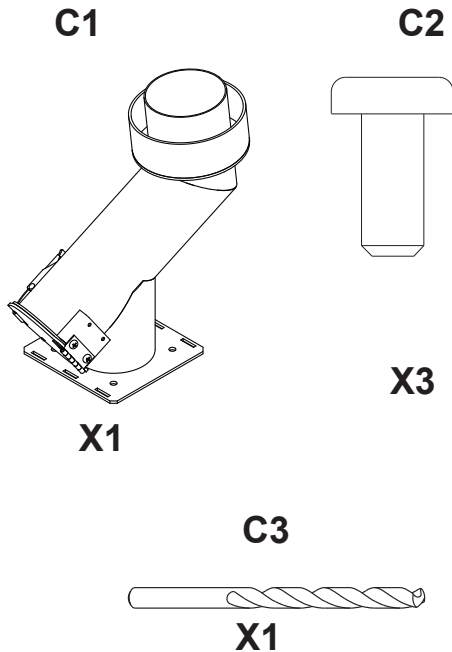
## TOP VENT ADAPTER INSTALLATION INSTRUCTIONS

Vertical centering adapter and clean-out.

**Part: TPVNT-4**

For Insert Pellet Appliance:  
Mount Vernon AE Insert

### Included in Kit:



### Tools Required:

Electric drill, #26 drill bit (included), #2 Phillips screwdriver, and high temp silicone (500° F).

**NOTE:** This vent adapter can be installed with 3 or 4 inch (76 or 102mm) pellet venting. You can attach the adapter before or after the installation of the venting into the flue or chase.

### Attaching the Vent Adapter (C1) to the Venting:

1. Apply high temperature silicone sealant to the outside of the appropriate size connector at the top of the Vent Adapter (C1) (Figure 1 & 2).

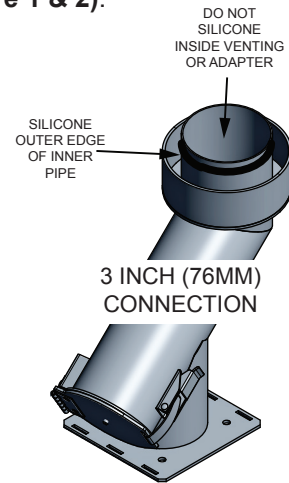


Figure 1

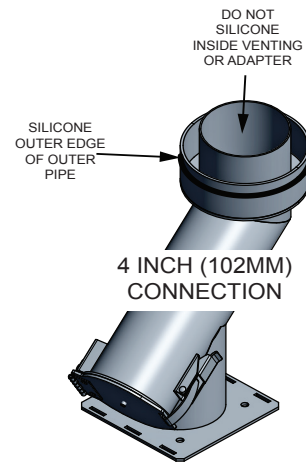


Figure 2

**Do not apply sealant to the inside of the venting or to the inside of the Vent Adapter, this can slow down the exhaust flow and make servicing more difficult.**

2. Insert venting into Vent Adapter (C1) into the pipe venting. Using the electric drill and #26 drill bit (C3), drill 3 holes through the venting and the Vent Adapter. Secure the venting to the Vent Adapter with the 3 screws (C2) (Figure 3 & 4).

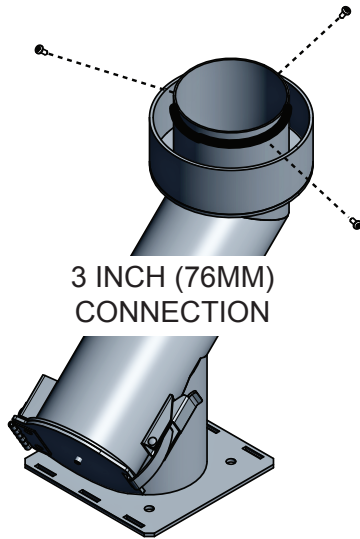


Figure 3

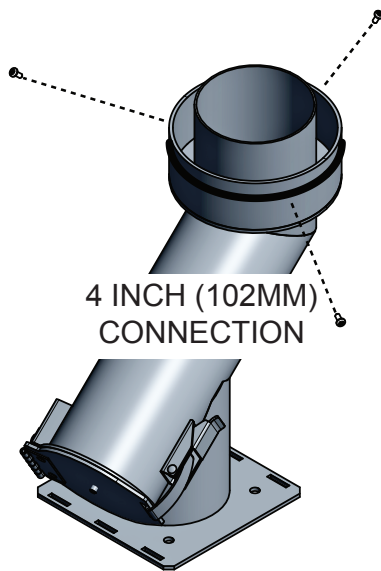


Figure 4

Inspect the joint closely and add sealant if needed. This is the most common area for a venting leak.

**Installing the Mt. Vernon Insert using the Vent Adapter (C1):**

3. Open the 2 latches that hold the original vent connector to the blower outlet. Remove and discard the original vent connector (Figure 5).

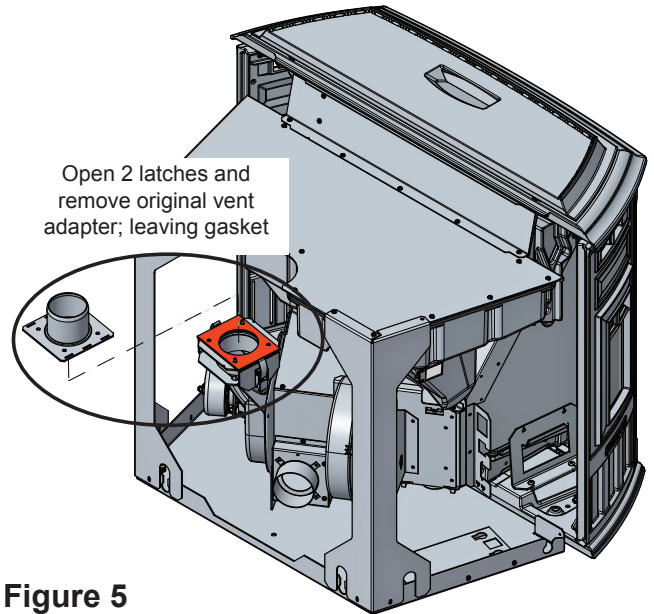


Figure 5

**DO NOT THROW AWAY THE GASKET!**

If the gasket is stuck to the blower leave in place. If the gasket is stuck to the original vent connector, remove it and re-install it on the blower outlet.

4. Suspend or otherwise support the venting in such a way that the bottom of the Vent Adapter (C1) is approximately 14-1/2 inches (368mm) from the floor of the cavity and the clean-out opening is pointing to the right (Figure 6).

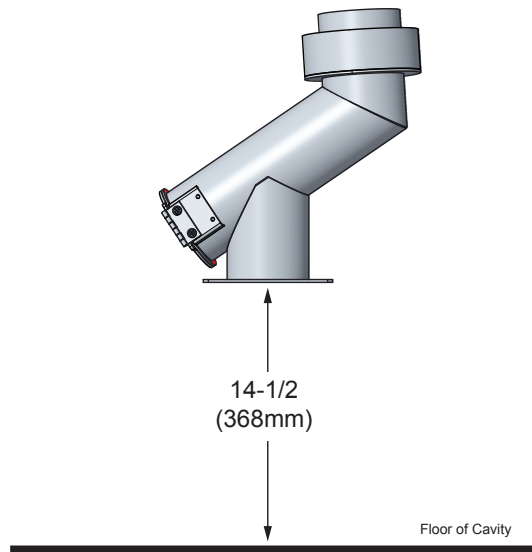


Figure 6

**NOTICE!**

The clean-out door of the Vent Adapter must be closed at all times except when the appliance is being serviced.

5. Slide the insert into place and place the bottom plate of the Vent Adapter (C1) onto the blower outlet making sure the gasket is still in place. Secure Vent Adapter in place with the latches in same manner as the original vent connector. (Figure 7 & 8).

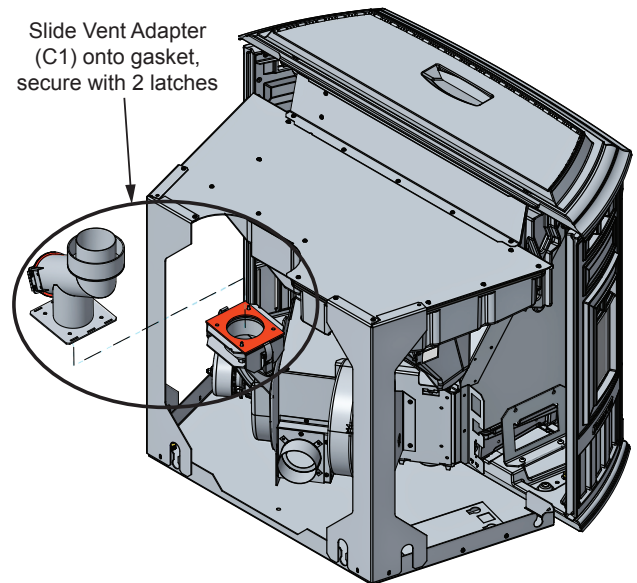


Figure 7

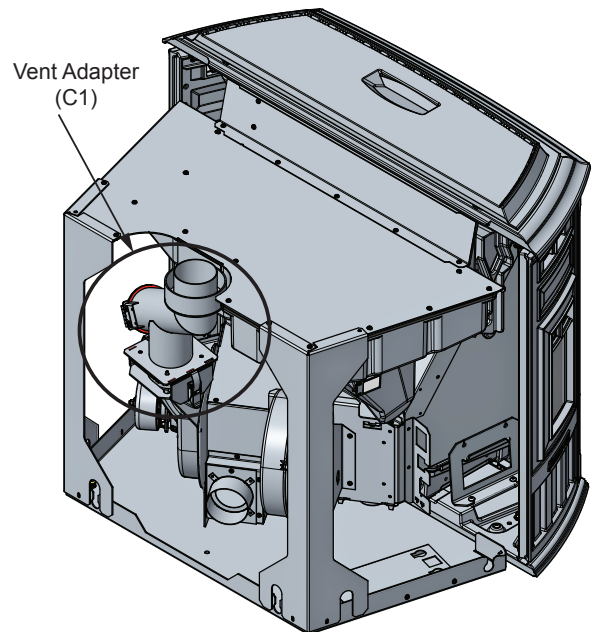


Figure 8