

QUADRA-FIRE®

TOP VENT ADAPTER INSTALLATION INSTRUCTIONS

Vertical centering adapter with heat shield and clean-out.

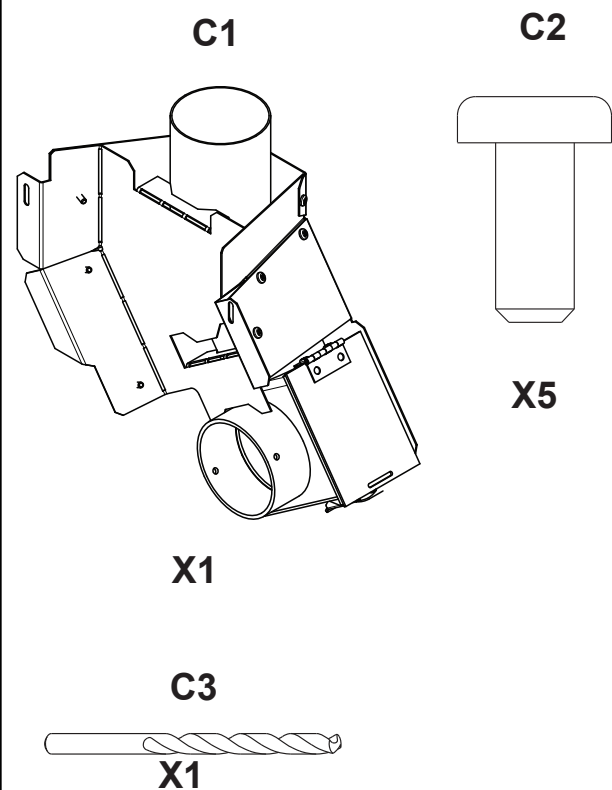
Part: TPVNT-3

For Free Standing Pellet Appliance:

Mount Vernon AE

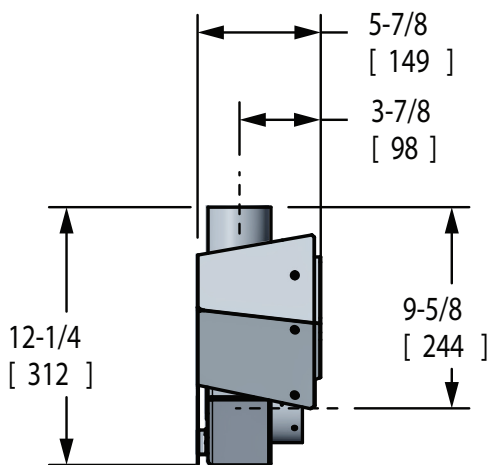
Mount Vernon E2

Included in Kit:



Tools Required:

Electric drill, #26 drill bit (included), #2 Phillips screwdriver, and high temp silicone (500° F).



1. Put a 1/4 inch bead of silicone on the outer edge of the appliance exhaust outlet (**Figure 1**).

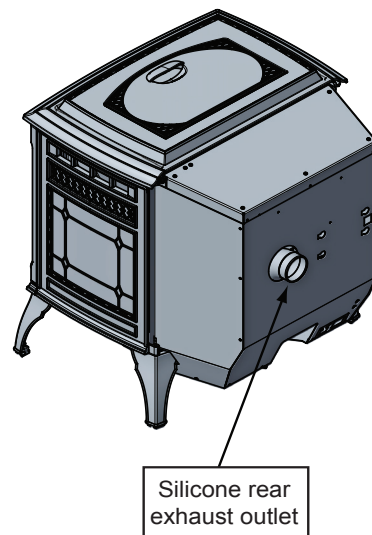


Figure 1

- Slide the Top Vent Adapter (**C1**) onto the exhaust outlet over bead of silicone making sure the adapter is in the vertical position (**Figure 2**).

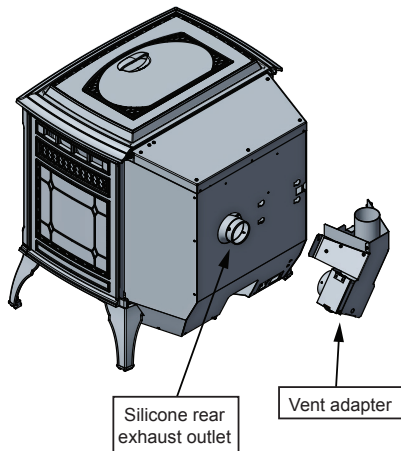


Figure 2

- Ensuring the adapter is in the vertical position. Drill 3 holes with #26 drill bit (**C3**) into the back of the stove using the outer shield on the adapter (**C1**) as a guide. Secure using three mounting screws (**C2**) (**Figure 3**).

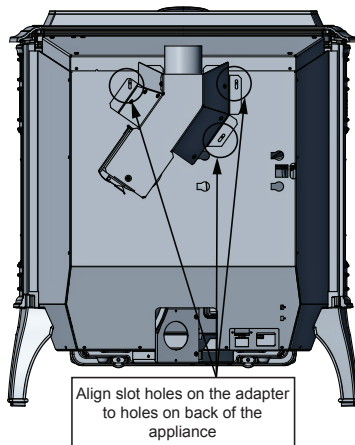


Figure 3

- Drill 2 holes with #26 drill bit (**C3**) through the Exhaust Outlet using the 2 holes already in the short horizontal pipe in the Top Vent Adapter as a guide. Secure using two mounting screws (**C2**) (**Figure 4**).

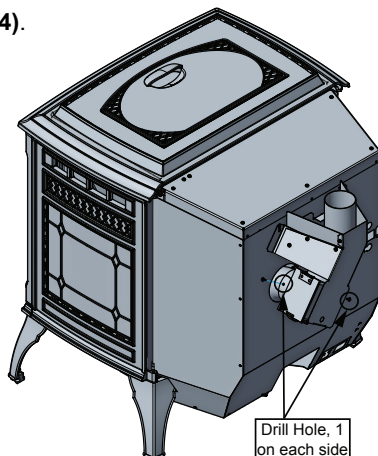


Figure 4

- Put a 1/4 inch bead of silicone on the outer edge of the Top Vent Adapter (**C1**) exhaust outlet (**Figure 5**). Following venting manufacturing instructions, install stove pipe to Top Vent Adapter (**C1**). (**NOTE: Appliance adapter from venting manufacture may be required.**) Do not apply silicone inside appliance exhaust outlet.

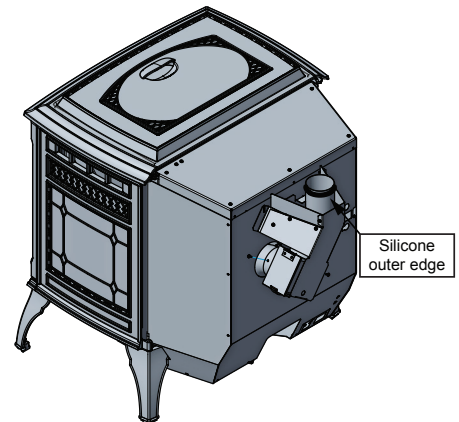


Figure 5

- After performing regular cleaning of venting, open the clean-out cover and vacuum out debris; close when complete (**Figure 6**).

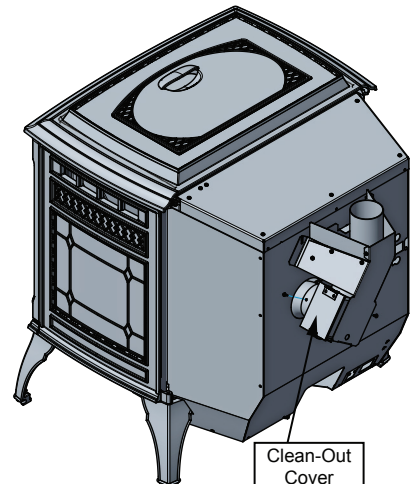


Figure 6