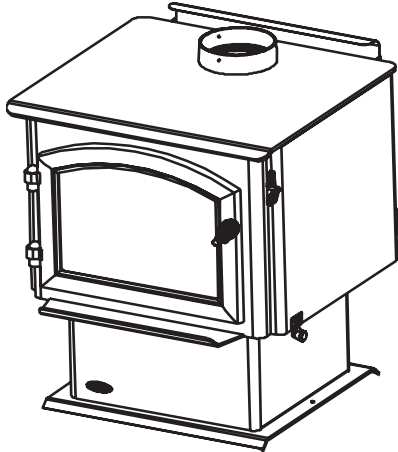


# QUADRA-FIRE

## QUADRA-FIRE 2100 & 4300 MILLENIUM ACC WOOD BURNER INSTALLATION INSTRUCTIONS



### Model:

**21M-ACC-NZ**

**21M-ACC-AU**

**43M-ACC-NZ**

INSTALLATIONS TO COMPLY WITH AS/NZS2918:2001  
AND WILL REQUIRE A BUILDING CONSENT

**IMPORTANT:** Read all instructions carefully before starting installation. Failure to follow these instructions may result in a fire hazard and will void the warranty.

- Fig. 3,4,5 and Table 1 & 2 relate to installations with tested flue systems; as per **AS/NZS 2918:2001 - Appendix F**, with a ceiling angle between 0° - 30° inclusive.
- For installations with a ceiling angle greater than 30°, refer to Fig. 6 & 7 and **AS/NZS 2918:2001 4.6.3(b)**
- Ceiling Plate may vary in size depending on ceiling angle. Please specify ceiling pitch prior to ordering the ceiling plate.
- Quadra-Fire 2100 & 4300 Millenium ACC wood burner's are tested and approved to the N.Z. National Environmental Standards;



### WARNING



#### Fire Risk.

For use with solid wood fuel only.  
Other fuels may over fire and generate poisonous gases (i.e. carbon monoxide).



### WARNING



**If the information in these instructions is not followed exactly, a fire could result causing property damage, personal injury, or death.**

- Do not store or use gasoline or other flammable vapors and liquids in the vicinity of this or any other appliance.
- Do not over fire - If appliance or chimney connector glows, you are over firing. Over firing will void your warranty.
- Comply with all minimum clearances to combustibles as specified. Failure to comply may cause house fire.

#### 21M-ACC-NZ - 2100 Millenium ACC Softwood Certified

Particulate Emissions = 0.6 g/kg Space Heating Efficiency = 72%

#### 21M-ACC-AU - 2100 Millenium ACC Hardwood Certified

Particulate Emissions = 2.0 g/kg Space Heating Efficiency = 81%

#### 43M-ACC-NZ - 4300 Millenium ACC

Softwood Particulate Emissions = 0.4 g/kg Space Heating Efficiency = 71%

Hardwood Particulate Emissions = 2.5g/kg Space Heating Efficiency = 78%

# Congratulations

and Welcome to the Quadra-Fire Family!

Hearth & Home Technologies welcomes you to our tradition of excellence! In choosing a Quadra-Fire appliance, you have our assurance of commitment to quality, durability, and performance.

This commitment begins with our research of the market, including 'Voice of the Customer' contacts, ensuring we make products that will satisfy your needs. Our Research and Development facility then employs the world's most advanced technology to achieve the optimum operation of

our stoves, inserts and fireplaces. And yet we are old-fashioned when it comes to craftsmanship. Each unit is meticulously fabricated and surfaces are hand-finished for lasting beauty and enjoyment. Our pledge to quality is completed as each model undergoes a quality control inspection.

We wish you and your family many years of enjoyment in the warmth and comfort of your hearth appliance. Thank you for choosing Quadra-Fire.

## 4300 MILLENNIUM ACC

**QUADRA-FIRE®** MILLENNIUM ACC WOODFIRE COMPLIANCE LABEL

This appliance has been TESTED TO AS/NZS4013 for Softwood by Applied Research Services Ltd. Report # 07/1717 - Date Tested: November 2007  
 This appliance has been TESTED TO AS/NZS4013 for Hardwood by HRL Technology Report # HCMG/12/016; Date Tested: March 2012

---

**MODEL QUADRA-FIRE 4300 MILLENNIUM ACC**

<b>OVERALL AVERAGE EFFICIENCY</b> WHEN TESTED IN ACCORDANCE WITH AS/NZS 4012: .....	<b>SOFTWOOD</b> .....71%	<b>HARDWOOD</b> 78%
<b>AVERAGE PARTICULATE EMISSION FACTOR</b> WHEN TESTED IN ACCORDANCE WITH AS/NZS 4013: .....	0.4 g/kg	2.5 g/kg
<b>MAXIMUM AVERAGE HEAT OUTPUT:</b> .....	10 kW	11.8 kW
<b>APPROVED FUEL:</b> .....	BURN ONLY WOOD WITH A MOISTURE CONTENT LESS THEN 25% (dry basis).	
<b>Wetback - All Models:</b> .....	Wetbacks are NOT an approved option and must not be fitted.	
<b>Manufactured By:</b> .....	Hearth & Home Technologies, 352 Mountain House Road, Halifax, PA 17032, United States of America	

Serial No. / N° de série: **HF**      BARCODE LABEL

Date of Manufacture / Date de fabrication:  
 ■ 2017 ■ 2018 ■ 2019 ■ JAN ■ FEB ■ MAR ■ APR ■ MAY ■ JUN ■ JUL ■ AUG ■ SEP ■ OCT ■ NOV ■ DEC

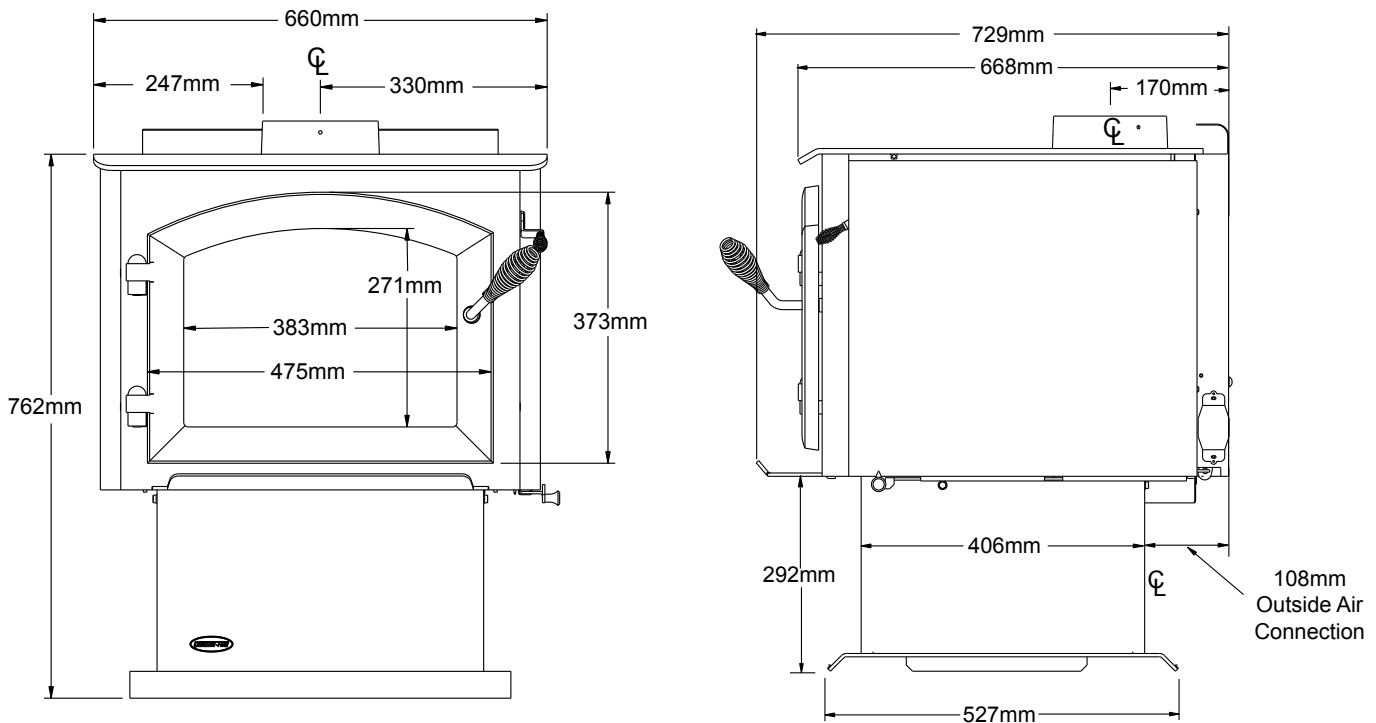
7037-147\_R3

---

**NOTE:** PERFORMANCE MAY VARY FROM TEST VALUES DEPENDING ON ACTUAL OPERATING CONDITIONS.  
 U.S. ENVIRONMENTAL PROTECTION AGENCY  
 Export stove. May not be operated within the United States

INSTALLATION DATE:    /    /

Fig. 2 - Quadra-Fire 4300 Millenium ACC Wood Burner Dimensions



**2100 (NZ-SOFTWOOD) MILLENNIUM ACC**

**QUADRA-FIRE®** MILLENNIUM ACC WOODFIRE COMPLIANCE LABEL **NZ**

This appliance has been TESTED TO AS/NZS4013 by Applied Research Services Ltd. Report # 07/1716 - Date tested: November 2007

**ECan Authorization Number 083786** **ECan Expiry Date 24/10/2013**

**MODEL QUADRA-FIRE 2100 MILLENNIUM ACC**

OVERALL AVERAGE EFFICIENCY BURNING SOFTWOOD ..... 72%

WHEN TESTED IN ACCORDANCE WITH AS/NZS 4012: .....

AVERAGE PARTICULATE EMISSION FACTOR BURNING SOFTWOOD ..... 0.6 g/kg

WHEN TESTED IN ACCORDANCE WITH AS/NZS 4013: .....

MAXIMUM AVERAGE HEAT OUTPUT BURNING SOFTWOOD:..... 9 kW

APPROVED FUEL:..... BURN ONLY SOFTWOOD WITH A MOISTURE CONTENT LESS THEN 25% (dry basis).

Wetback - All Models:.....Wetbacks are NOT an approved option and must not be fitted.

Manufactured by:.....Hearth & Home Technologies, 352 Mountain House Road, Halifax, PA 17032 United States of America

Serial No. / N° de série: **HF** **BARCODE LABEL**

Date of Manufacture / Date de fabrication: 2017 2018 2019 JAN FEB MAR APR MAY JUN JUL AUG SEP OCT NOV DEC

7039-145\_R5

**NOTE:** PERFORMANCE MAY VARY FROM TEST VALUES DEPENDING ON ACTUAL OPERATING CONDITIONS.  
U.S. ENVIRONMENTAL PROTECTION AGENCY  
Export stove. May not be operated within the United States

INSTALLATION DATE: / /

**2100 (AU-HARDWOOD) MILLENNIUM ACC**

**QUADRA-FIRE®** MILLENNIUM ACC WOODFIRE COMPLIANCE LABEL

This appliance has been TESTED TO AS/NZS4013 for Hardwood by HRL Technology Report #HCMG/12/014A - Date tested: March 2012

**MODEL QUADRA-FIRE 2100 MILLENNIUM ACC FREESTANDING WOOD STOVE**

OVERALL AVERAGE EFFICIENCY BURNING SOFTWOOD ..... 81%

WHEN TESTED IN ACCORDANCE WITH AS/NZS 4012: .....

AVERAGE PARTICULATE EMISSION FACTOR BURNING SOFTWOOD ..... 2.0 g/kg

WHEN TESTED IN ACCORDANCE WITH AS/NZS 4013: .....

MAXIMUM AVERAGE HEAT OUTPUT BURNING SOFTWOOD:..... 7.2 kW

APPROVED FUEL:..... BURN ONLY HARDWOOD WITH A MOISTURE CONTENT LESS THEN 25% (dry basis).

Wetback - All Models:.....Wetbacks are NOT an approved option and must not be fitted.

Manufactured By:.....Hearth & Home Technologies, 352 Mountain House Road, Halifax, PA 17032, United States of America

Serial No. / N° de série: **HF** **BARCODE LABEL**

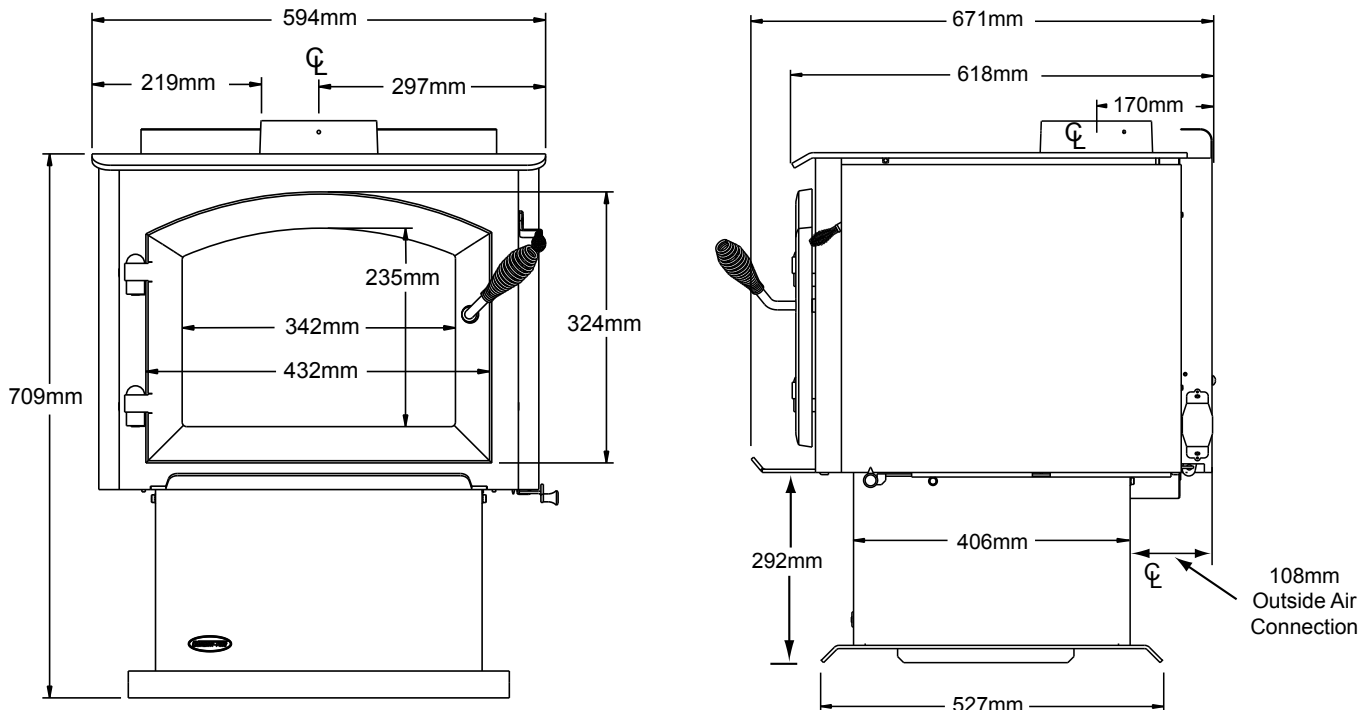
Date of Manufacture / Date de fabrication: 2017 2018 2019 JAN FEB MAR APR MAY JUN JUL AUG SEP OCT NOV DEC

7039-148\_R4

**NOTE:** PERFORMANCE MAY VARY FROM TEST VALUES DEPENDING ON ACTUAL OPERATING CONDITIONS.  
U.S. ENVIRONMENTAL PROTECTION AGENCY  
Export stove. May not be operated within the United States

INSTALLATION DATE: / /

**Fig. 1 - Quadra-Fire 2100 Millennium ACC Wood Burner Dimensions**



**FLOOR PROTECTOR**

Quadra-fire 2100 & 4300 Millennium ACC do not require a insulating Floor Protector, as they are tested and comply with the minimum Floor Protector requirements of **AS/NZS 2918:2001**.

Note:

- The minimum Floor Protector sizes are specified in the clearance chart, see Table 1 & 2.
- A Floor Protector can include ceramic tiles with grouted joints fixed directly onto a wooden floor or a sheet of toughened glass, panel steel or any other non combustible material laid directly onto a wooden floor.
- If installed directly onto a concrete slab, the concrete slab can be considered as the floor protector, but must maintain the minimum measurement listed.

**PARALLEL POSITIONING**

Fig. 3

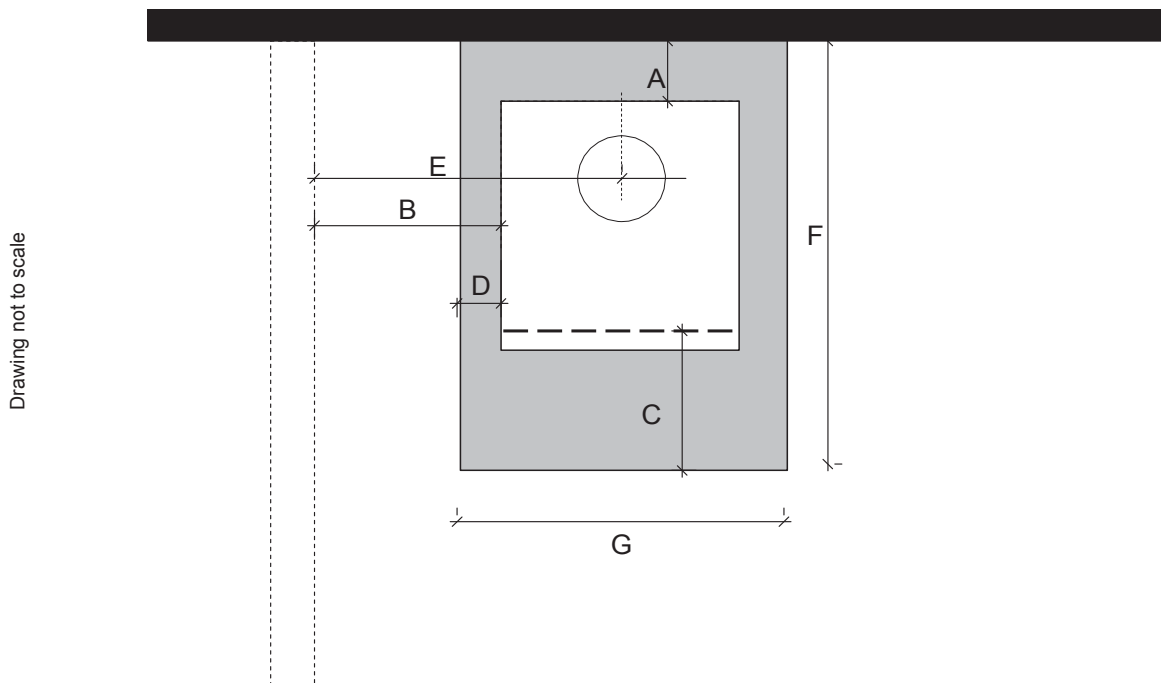


Table 1

	DESCRIPTION Pioneer Double Flue Mounted Shield Universal Shall be Fitted	With Double Flue Shield Fitted		
		2100-NZ	2100-AU	4300
A	Min. Clearance from firebox to rear wall	150	160	200
B	Min. clearance from firebox to side wall	550	280	400
C	Min. distance from firebox opening to floor protector front	300	300	300
D	Min. distance from firebox to floor protector side	76	76	69
E	Min. distance from flue centre to side wall	847	577	730
F	Min. distance from rear wall to front of floor protector	1034	1043	1133
G	Width of floor protector	746	746	798

**NOTE: HEAT SHIELD REQUIREMENTS FOR HEAT SENSITIVE WALLS**

Clearances may be reduced by provision of an appropriately located heat shield refer to **AS/ NZS 2198:2001 3.2.3 Table 3.1**

**CORNER POSITIONING (45°)**

Fig. 4

Drawing not to scale

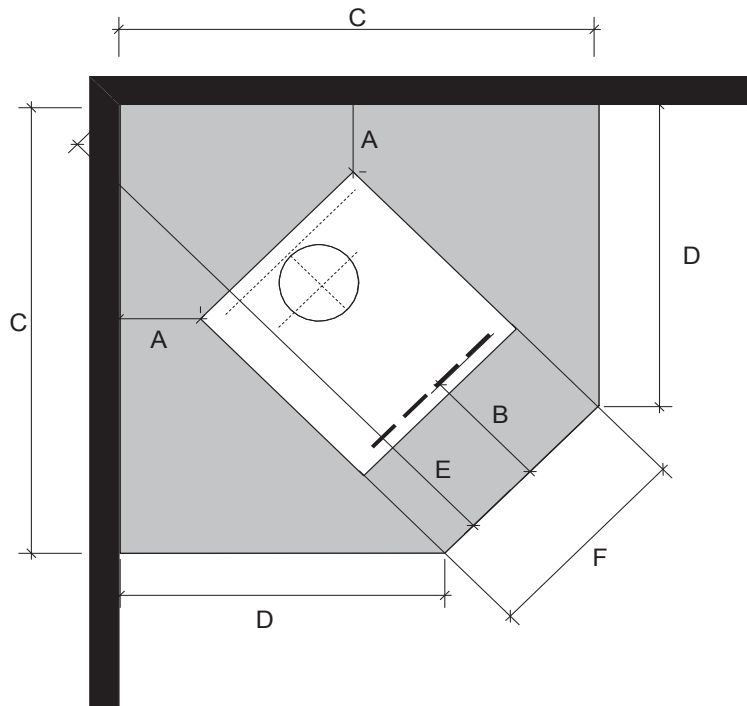




Table 2

	DESCRIPTION Pioneer Double Flue Mounted Shield Universal Shall be Fitted	With Double Flue Shield Fitted		
		2100-NZ	2100-AU	4300
A	Min. clearance from firebox to corner walls	230	210	250
B	Min. distance from firebox to floor protector front	300	300	300
C	Min. distance from rear wall to floor protector front	1280	1228	1380
D	Min. floor protector projection from wall	860	808	910
E	Min. overall floor protector depth	1510	1440	1620
F	Min. floor protector front width	594	594	660

**FIREBOX INSTALLATION**

1. If a separate floor protector is being used position now. Place the firebox on the floor protector to suit the minimum installation clearances. (See Fig 3 or 4).
2. Systemically restrain the firebox and the floor protector to the floor.
3. Fit 2 x 6mm fixings suitable for the floor material. **DO NOT** over tighten.
4. Fit timber trim pedestal edging to front and back of base (optional).



 <b>WARNING</b>	
	<b>Fire Risk.</b> Hearth & Home Technologies disclaims any responsibility for, and the warranty will be voided by, the following actions:
	<ul style="list-style-type: none"> <li>• Installation and use of any damaged appliance.</li> <li>• Modification of the appliance.</li> <li>• Installation other than as instructed by Hearth &amp; Home Technologies.</li> <li>• Installation and/or use of any component part not approved by Hearth &amp; Home Technologies.</li> <li>• Operating appliance without fully assembling all components.</li> <li>• Operating appliance without legs attached (if supplied with appliance).</li> <li>• Do NOT Over fire - If appliance or chimney connector glows, you are over firing.</li> </ul> <p><b>Any such action that may cause a fire hazard.</b></p>


**FUEL REQUIREMENTS**



Burn only dry seasoned wood. Store wood under cover, out of the rain and snow. Dry and well-seasoned wood will not only minimize the chance of creosote formation, but will give you the most efficient fire. Even dry wood contains at least 15% moisture by weight, and should be burned hot enough to keep the chimney hot for as long as it takes to dry the wood out - about one hour. It is a waste of energy to burn unseasoned wood of any kind.



Dead wood lying on the forest floor should be considered wet, and requires full seasoning time. Standing dead wood can be considered to be about 2/3 seasoned. To tell if wood is dry enough to burn, check the ends of the logs. If there are cracks radiating in all directions from the center, it is dry. If your wood sizzles in the fire, even though the surface is dry, it may not be fully cured.

Splitting wood before it is stored reduces drying time. Wood should be stacked so that both ends of each piece are exposed to air, since more drying occurs through the cut ends than the sides. This is true even with wood that has been split. Store wood under cover, such as in a shed, or covered with a tarp, plastic, tar paper, sheets of scrap plywood, etc., as uncovered wood can absorb water from rain or snow, delaying the seasoning process.

 <b>WARNING</b>	
	<b>Fire Risk.</b> Keep combustible materials, gasoline and other flammable vapors and liquids clear of appliance.
	<ul style="list-style-type: none"> <li>• Combustible materials may ignite.</li> <li>• Do NOT store flammable materials in the appliance's vicinity.</li> <li>• DO NOT USE GASOLINE, LANTERN FUEL, KEROSENE, CHARCOAL LIGHTER FLUID OR SIMILAR LIQUIDS TO START OR "FRESHEN UP" A FIRE IN THIS APPLIANCE.</li> <li>• Keep all such liquids well away from the appliance while it is in use.</li> </ul>

 <b>WARNING</b>	
DO NOT PLACE COMBUSTIBLE OBJECTS IN FRONT OF THE APPLIANCE. High temperatures may ignite clothing, furniture or draperies.	

 <b>WARNING</b>	
	<b>Fire Risk.</b> • DO NOT BURN GARBAGE OR FLAMMABLE FLUIDS SUCH AS GASOLINE, NAPHTHA OR ENGINE OIL. • Do NOT burn treated wood or wood with salt (drift-wood). • May generate carbon monoxide if burn material other than wood. May result in illness or possible death.

 <b>WARNING</b>	
	<b>Fire Risk.</b> • Do NOT burn wet or green wood. • Store wood in dry location. • Stack wood so both ends are exposed to air. Wet, unseasoned wood can cause accumulation of creosote.

**GENERAL INSTRUCTIONS FOR FLUE SYSTEM**

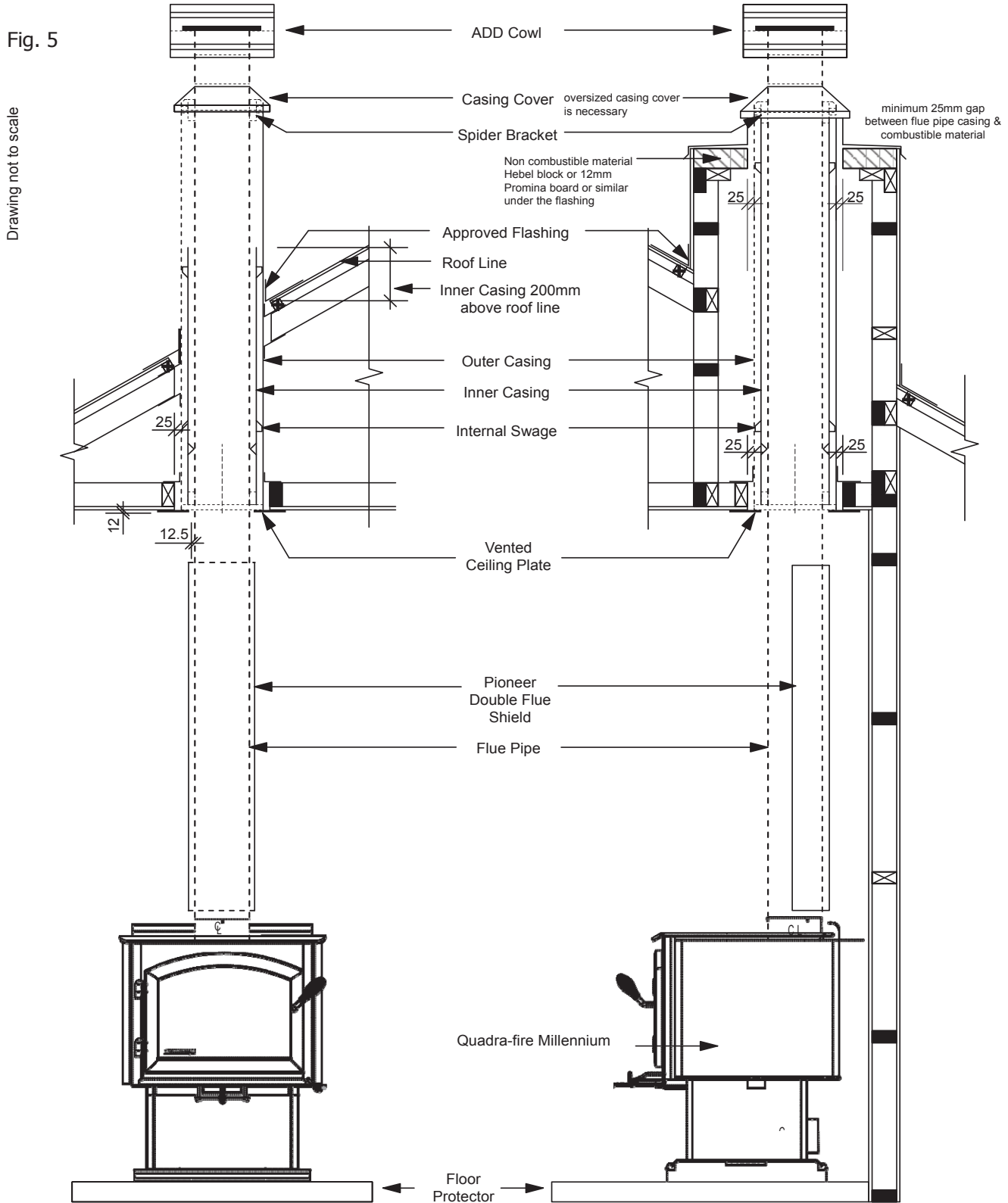
- Flue pipe installed crimp/narrow end down
- Outer casings installed crimped/narrow end up. (Critical when exposed above the roof)
- Inner casings - direction not critical
- Flue pipes - seal all joints including firebox spigot.
  - fix with a minimum of 3 stainless steel rivets
- Flue pipe spacers - affix to flue pipe
- Flue system termination point - **Refer to AS/NZS 2918:2001 4.9.1, see Fig. 9.**
- Flue pipe shall extend not less than 4.6m above top of the floor protector as per **AS/NZS 2918:2001 4.9.1(a)**
- Façade or chase systems - same rule applies as above.
- Roof penetration and flashing method refer to NZ Building Code E2.(From 01/07/05)

**Note: These instructions apply to 150mm diameter flue pipe systems as tested to AS/NZS 2918:2001**

1. Either locate the appliance in position or by measuring at the ceiling mark the flue pipe centre position. Check that the outer casing is unobstructed through the attic space or roof area.
2. Spike the centre with a nail. Transfer this position to the next surface above. Plumb bob/laser.
3. Cut out the ceiling penetration hole – square or rectangle – short axis equals outer casing diameter plus 50mm, long axis as required. See Table 5 . Perform the same at the roof penetration.
4. Frame out the hole with minimum 75 x 50 timber or as required for roofing material. Minimum requirement at roof penetration see NZ Building Code E2 Acceptable Solution (from 01/07/05).
5. Install the outer casing so that :-
  - (i) lower end is flush with the underside of the ceiling material and
  - (ii) with the addition of metal “L” brackets, affix to the outer casing at 90 degrees secure the outer casing centrally to the ceiling and roof nogs. Alternatively substitute the “L” brackets for 25mm thick non heat sensitive packers. Secure the outer casing through the packers with horizontal fixings to the nogs. Refer to the General Instruction for termination height. The option of outer casing slips to be taken into account.
6. Flash the outer casing to the roof material with the appropriate approved flashing.
7. If using an outer/inner casing combination, now install the inner casing ensuring it extends a minimum 200mm above the high side of the roof penetration. If not using a combination see ‘11’ below.
8. Refer to Firebox Installation, points 1 & 2.
9. Prepare the ceiling plate and place upside down over the flue spigot.
10. Install the flue pipes by preferred method – either up or down the outer casing. Affix each length per the notes in General Instructions (above). Extend the flue pipe above the outer casing to suit the casing cover/cowl assembly.
11. If the inner casing has not been installed, install now. Refer to 7 above for minimum height.
12. Install the cowl assembly, i.e. Top spacer, casing cover and cowl.
13. Position and secure the ceiling plate with the screws and spacers.
14. Wipe the flue pipe to remove finger marks.
15. Refer to Firebox Installation, point 3.
16. If flue offset is required, refer to AS/NZS 2918:2001 4.1

**FLUE PENETRATION**

Tested flue systems, as per AS/NZS 2918:2001





**FLUE PENETRATION**

**Un-tested flue systems, as per AS/NZS 2918:2001, 4.6.3(b)**

Fig. 6

AS/NZS2918:2001

Un-tested flue with sloped ceiling penetration greater than 30° from horizontal

A = 25mm

4.6.3(b)

Fig 4.6 = downward distance of casing and 3 x Ø flue distance of the ceiling plate

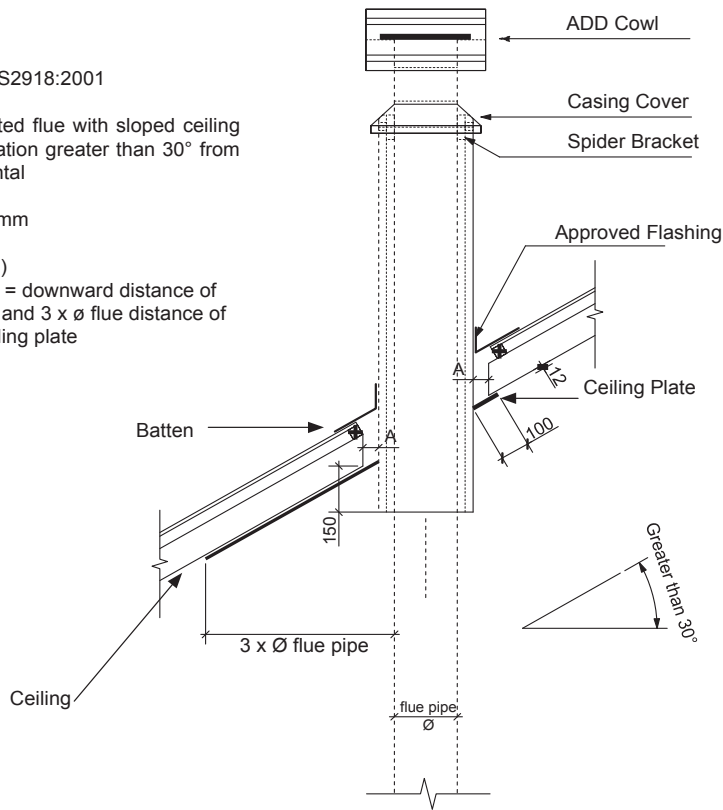


Fig. 7

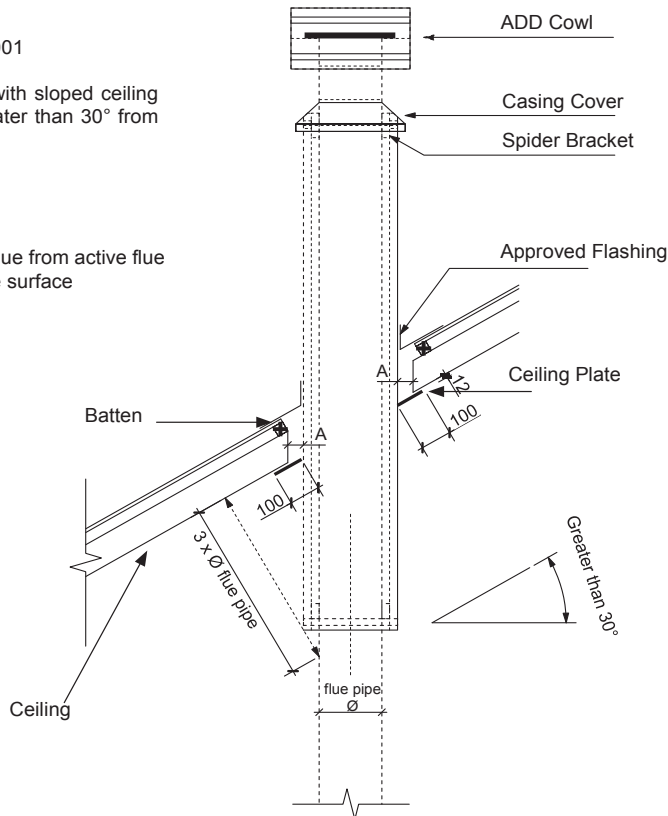
AS/NZS2918:2001

Un-tested flue with sloped ceiling penetration greater than 30° from horizontal

A = 25mm

4.6.3(b)

Fig 4.6 = 3 x Ø flue from active flue to heat sensitive surface



## PIONEER DOUBLE FLUE SHIELD FITTING INSTRUCTIONS

1. Unpack the Flue Mounted Shield, detach the three brackets and familiarize yourself with the illustrations.
2. Using a sharp knife or razor blade, carefully cut through the plastic film on the "inside face" where it meets the outer shield (refer sketch). Cut along the full length of the Flue Mounted Shield on both side, then peel off and fully remove the plastic film from the stainless steel inner shield.
3. Peel back and fully remove the plastic film from the outer shield.
4. Fit the top bracket to the Flue Mounted Shield as illustrated ensuring the rear mid section of the bracket fits "outside" while the two outer sections of the bracket fit "inside".
5. Fit the appropriate lower bracket to your woodfire.

### Lower Bracket "5B suitable for all other woodfires without an inner rear heatshield.

On certain model woodfires without a raised flue spigot it will be necessary to cut off both the lower outer legs from the bracket "5B" leaving the entral tongue to locate inside the flue outlet only.

Two tabs are provided and if folded back at 90 degrees the bracket and Flue Mounted Shield will mount lower onto the appliance.

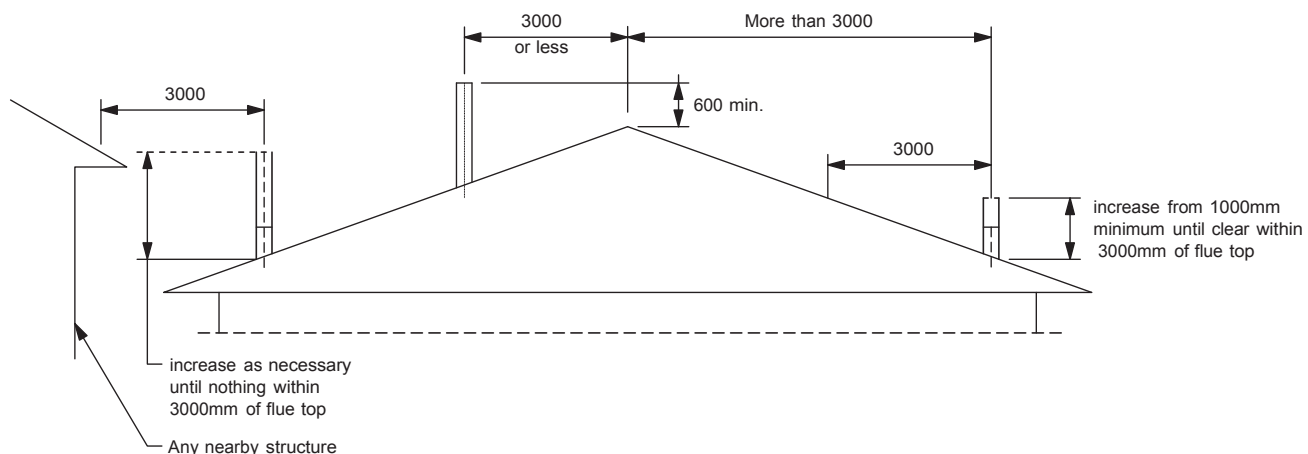
The Flue Mounted Shield then locates into the two notches provided n bracket "5B" as illustrated.

6. Once the Flue Mounted Shield is fitted in position onto either of the two lower mounting brackets, check to ensure a large gap is not present between the top of the woodfire and the base of the Flue Mounted Shield, as this may result in a hot spot on the rear wall directly behind the flue outlet. If your woodfire has a lift off top grill the Flue Mounted Shield should be raised sufficiently to enable the top grill to be removed.
7. Using the pre-punched holes in the two tabs provided on the top bracket as guides, drill into the flue pipe and secure the top bracket to the flue pipe with two stainless steel rivets (not supplied).

## MINIMUM HEIGHT OF FLUE SYSTEM EXIT

As per AS/NZS 2918:2001 4.9.1 Fig 4.9

Fig. 8



**AS/NZS 2918:2001 General Notes****WARNINGS:**

**WARNING: THE APPLIANCE AND FLUE SYSTEM SHALL BE INSTALLED IN ACCORDANCE WITH AS/NZS 2918 AND THE APPROPRIATE REQUIREMENTS OF THE RELEVANT BUILDING CODE OR CODES.**

**WARNING: APPLIANCES INSTALLED IN ACCORDANCE WITH THIS STANDARD SHALL COMPLY WITH THE REQUIREMENTS OF AS/NZS 4013 WHERE REQUIRED BY THE REGULATORY AUTHORITY, I.E. THE APPLIANCE SHALL BE IDENTIFIABLE BY A COMPLIANCE PLATE WITH THE MARKING 'TESTED TO AS/NZS 4013'.**

**ANY MODIFICATION OF THE APPLIANCE THAT HAS NOT BEEN APPROVED IN WRITING BY THE TESTING AUTHORITY IS CONSIDERED TO BE IN BREACH OF THE APPROVAL GRANTED FOR COMPLIANCE WITH AS/NZS 4013.**

**CAUTION: MIXING OF APPLIANCE OR FLUE SYSTEM COMPONENTS FROM DIFFERENT SOURCES OR MODIFYING THE DIMENSIONAL SPECIFICATION OF COMPONENTS MAY RESULT IN HAZARDOUS CONDITIONS. WHERE SUCH ACTION IS CONSIDERED, THE MANUFACTURER SHOULD BE CONSULTED IN THE FIRST INSTANCE.**

**CAUTIONS: CRACKED AND BROKEN COMPONENTS, e.g. GLASS PANELS OR CERAMIC TILES, MAY RENDER THE INSTALLATION UNSAFE.**

**WARNING: ANY MODIFICATION OF THE APPLIANCE THAT HAS NOT BEEN APPROVED IN WRITING BY THE TESTING AUTHORITY IS CONSIDERED AS BREACHING AS/NZS 4013.**

**WARNING: DO NOT USE FLAMMABLE LIQUIDS OR AEROSOLS TO START OR REKINDLE THE FIRE.**

**WARNING: DO NOT USE FLAMMABLE LIQUIDS OR AEROSOLS IN THE VICINITY OF THIS APPLIANCE WHEN ITS OPERATING.**

**WARNING: DO NOT STORE FUEL WITHIN HEATER INSTALLATION CLEARANCES.**

**WARNING: FOR OPTIMUM PERFORMANCE FUEL MUST BE LOADED SO THE LOGS LAY "FRONT TO REAR" IN PREFERENCE TO LAYING ACROSS THE WIDTH OF THE FIREBOX. SPACES SHOULD BE LEFT BETWEEN THE LOGS TO ENABLE OXYGEN TO GET TO AS MUCH OF THE SURFACE OF THE FUEL AS POSSIBLE.**

**CAUTION: THIS APPLIANCE SHOULD BE MAINTAINED AND OPERATED AT ALL TIMES IN ACCORDANCE WITH THESE INSTRUCTIONS.**

**CAUTION: THE USE OF SOME TYPES OF PRESERVATIVE-TREATED WOOD AS A FUEL CAN BE HAZARDOUS.**

**Service And Maintenance Log**

Date of Service	Performed By	Description of Service



**AUSTRALIAN WARRANTY INFORMATION**

Hearth & Home Technologies Inc (HHT)  
 1445 N. Highway | Colville, WA 99114 | (509-684-3745)

HHT extends the following manufacturer’s warranty for HHT gas, wood, pellet, coal and electric hearth appliances that are purchased from an HHT authorized dealer.

HHT warrants to the original owner of the HHT appliance at the site of installation, and to any transferee taking ownership of the appliance at the site of installation within two years following the date of original purchase, that the HHT appliance will be free from defects in materials and workmanship at the time of manufacture.

After installation, if covered components manufactured by HHT are found to be defective in materials or workmanship during the applicable warranty period, HHT will, at its option, repair or replace the covered components. HHT, at its own discretion, may fully discharge all of its obligations under this manufacturer’s warranty by replacing the product itself or refunding the verified purchase price of the product itself. The maximum amount recoverable under this warranty is limited to the purchase price of the product. This warranty is subject to conditions, exclusions and limitations as described below.

Warranty coverage begins on the date of original purchase. In the case of new home construction, coverage under this manufacturer’s warranty begins on the date of first occupancy of the dwelling or six months after the sale of the product by an independent, authorized HHT dealer/ distributor, whichever occurs earlier. The warranty period for this manufacturer’s warranty shall commence no later than 24 months following the date of product shipment from HHT, regardless of the installation or occupancy date. The manufacturer’s warranty period for parts and labor for covered components is produced in the following table.

The term “Limited Lifetime” in the table below is defined as: 20 years from the beginning date of warranty coverage for gas appliances, and 10 years from the beginning date of warranty coverage for wood, pellet and coal appliances. These time periods reflect the minimum expected useful lives of the designated components under normal operating conditions.

Warranty Period		Hearth and Home Technologies Manufactured Appliances and Venting							Components Covered
Parts	Labor	Gas	Wood	Pellet	EPA Wood	Coal	Electric	Venting	
1 Year		X	X	X	X	X	X	X	All parts and material except as covered by Conditions, Exclusions, and Limitations listed
2 years				X	X	X			Igniters, electronic components, and glass
		X	X	X	X	X			Factory-installed blowers
				X					Molded refractory panels
3 years				X					Firepots and Burnpots
5 years	1 year			X	X				Castings and baffles
7 years	3 years		X	X	X				Manifold tubes, HHT chimney and termination
10 years	1 year	X							Burners, logs and refractory
Limited Lifetime	3 years	X	X	X	X	X			Firebox and heat exchanger
90 Days		X	X	X	X	X	X	X	All replacement parts beyond warranty period

**OTHER RIGHTS**

The HHT manufacturer's warranty is in addition to other rights and remedies that you may have under Australian law.

Our goods come with guarantees that cannot be excluded under the Australian Consumer Law. You are entitled to a replacement or refund for a major failure and for compensation for any other reasonably foreseeable loss or damage. You are also entitled to have the goods repaired or replaced if the goods fail to be of acceptable quality and the failure does not amount to a major failure.

**WARRANTY CONDITIONS AND EXCLUSIONS:**

- The HHT manufacturer's warranty only covers HHT appliances that are purchased through an HHT authorized dealer or distributor. A list of HHT authorized dealers is available on the HHT branded websites.
- This warranty is only valid while the HHT appliance remains at the site of original installation.

**WARRANTY EXCLUSIONS:**

This HHT manufacturer's warranty does not cover the following:

- Changes in surface finishes as a result of normal use. As a heating appliance, some changes in color of interior and exterior surface finishes may occur. This is not a flaw and is not covered under warranty.
- Damage to printed, plated, or enamelled surfaces caused by fingerprints, accidents, misuse, scratches, melted items, or other external sources and residues left on the plated surfaces from the use of abrasive cleaners or polishes.
- Repair or replacement of parts that are subject to normal wear and tear during the warranty period. These parts include: paint, wood, pellet and coal gaskets, firebricks, grates, flame guides, light bulbs, batteries and the discoloration of glass.
- Minor expansion, contraction, or movement of certain parts causing noise. These conditions are normal and complaints related to this noise are not covered by this warranty.
- Damages resulting from: (1) failure to install, operate, or maintain the appliance in accordance with the installation instructions, operating instructions, and listing agent identification label furnished with the appliance; (2) failure to install the appliance in accordance with local building codes; (3) shipping or improper handling; (4) improper operation, abuse, misuse, continued operation with damaged, corroded or failed components, accident, or improperly/incorrectly performed repairs; (5) environmental conditions, inadequate ventilation, negative pressure, or drafting caused by tightly sealed constructions, insufficient make-up air supply, or handling devices such as exhaust fans or forced air furnaces or other such causes; (6) use of fuels other than those specified in the operating instructions; (7) installation or use of components not supplied with the appliance or any other components not expressly authorized and approved by HHT (8) modification of the appliance not expressly authorized and approved by HHT in writing; and/or (9) interruptions or fluctuations of electrical power supply to the appliance.
- Non HHT venting components, hearth components or other accessories used in conjunction with the appliance.
- Any part of a pre-existing fireplace system in which an insert or a decorative gas appliance is installed.
- Removal, installation, reinstallation, set up or any other costs associated with a claim including travel and shipping charges for parts.
- HHT's obligation under this warranty does not extend to the appliance's capability to heat the desired space. Information is provided to assist the consumer and the dealer in selecting the proper appliance for the application. Consideration must be given to appliance location and configuration, environmental conditions, insulation and air tightness of the structure.

**This warranty is void if:**

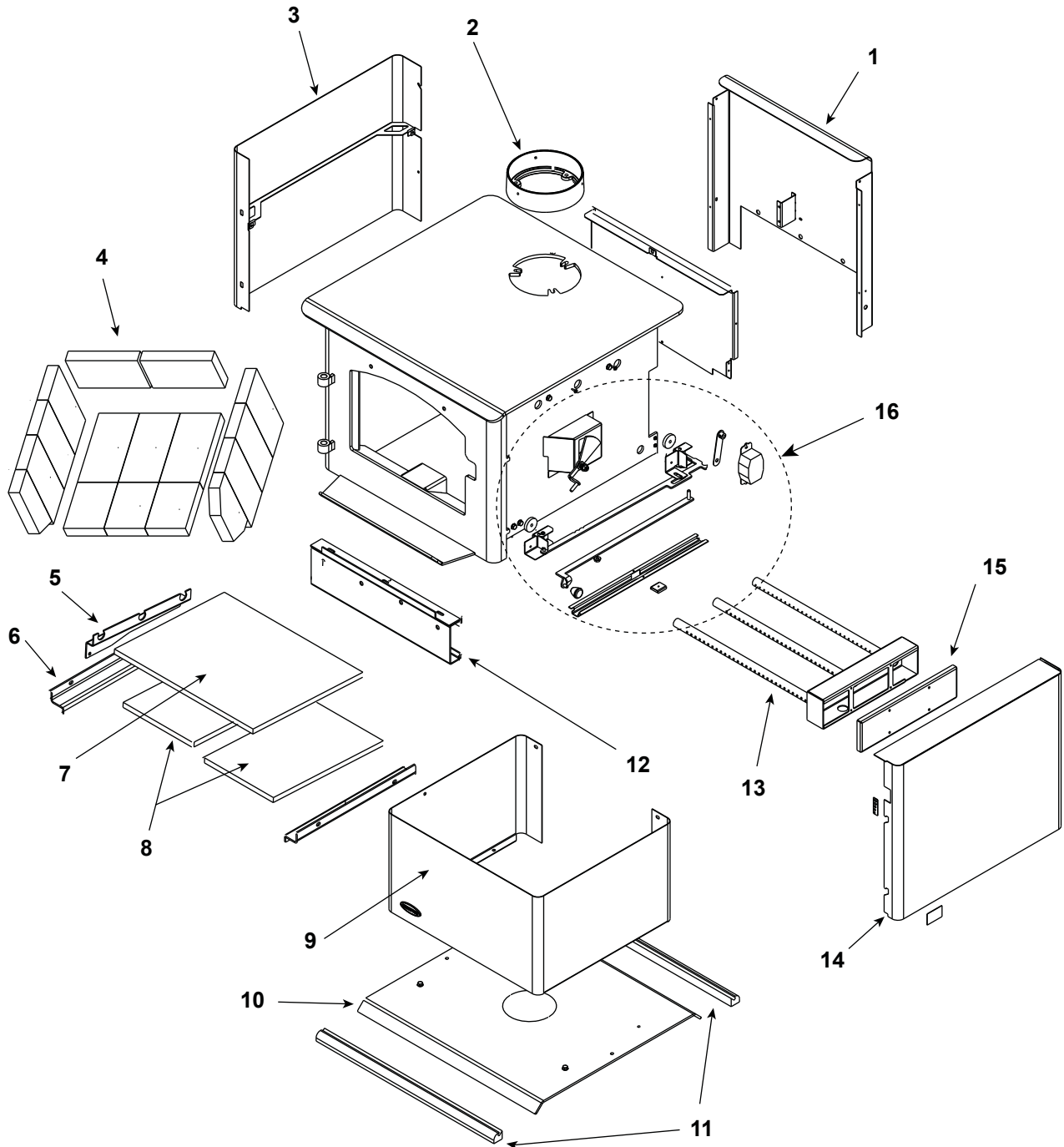
- The appliance has been over-fired or operated in atmospheres contaminated by chlorine, fluorine, or other damaging chemicals. Over-firing can be identified by, but not limited to, warped plates or tubes, rust coloured cast iron, bubbling, cracking and discoloration of steel or enamel finishes.
- The appliance is subjected to prolonged periods of dampness or condensation.
- There is any damage to the appliance or other components due to water or weather damage which is the result of, but not limited to, improper chimney or venting installation.

**HOW TO CLAIM**

- To make a claim against this warranty, contact your local distributor during regular business hours. See addresses below for a dealer nearest you. (Vic) Pty Ltd ACN 005 872 159 (**Jetmaster**).
- Additional service fees may apply if you are seeking warranty service from a dealer other than the dealer from whom you originally purchased the product.
- Check with Jetmaster in advance for any costs to you when arranging a warranty call. Travel and shipping charges for parts are not covered by this manufacturers' warranty.
- HHT and Jetmaster will assess your claim. HHT or Jetmaster may need to inspect the product as part of the assessment of your claim. If the product requires inspection, HHT or Jetmaster will discuss with you the best way for this to occur.
- To make a claim under this manufacturer's warranty, you must be able to prove when you purchased the product. The easiest way to do this is through your original proof of purchase, for example your invoice or receipt. However, if you do not have your original proof of purchase HHT or Jetmaster may accept other evidence of the date of purchase.

**Local Distributors:**

<b>Melbourne</b>	Jetmaster	44 Swan Street	Richmond 3121	(03) 9429-5573
<b>Perth</b>	Fireplace Corner	277 Lord Street	East Perth 6000	(08) 9228-2600
<b>Sydney</b>	Jetmaster	10 Martin Avenue	Arncliffe 2205	(02) 9597-7222



Part number list on following pages.

Beginning Manufacturing Date: July 2007  
Ending Manufacturing Date: Active

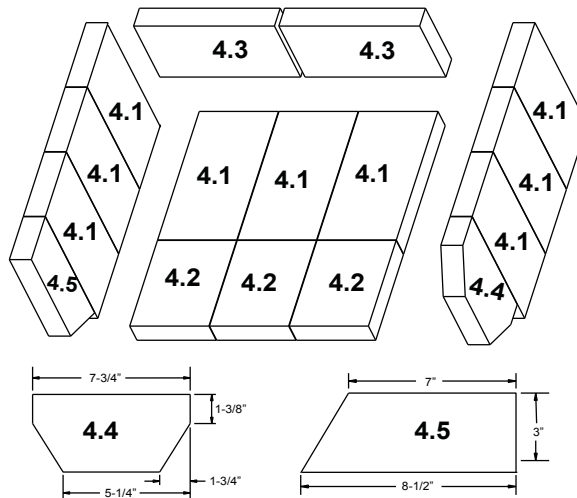
IMPORTANT: THIS IS DATED INFORMATION. When requesting service or replacement parts for your appliance please provide model number and serial number. All parts listed in this manual may be ordered from an authorized dealer.



**Stocked at Depot**

ITEM	DESCRIPTION	COMMENTS	PART NUMBER	
1	Convection Air Channel - <b>Retain Original Serial Number</b>		SRV7039-107	
2	Flue Collar		SRV7000-302	Y
3	Panel Assembly, Side, Left		SRV7039-003	

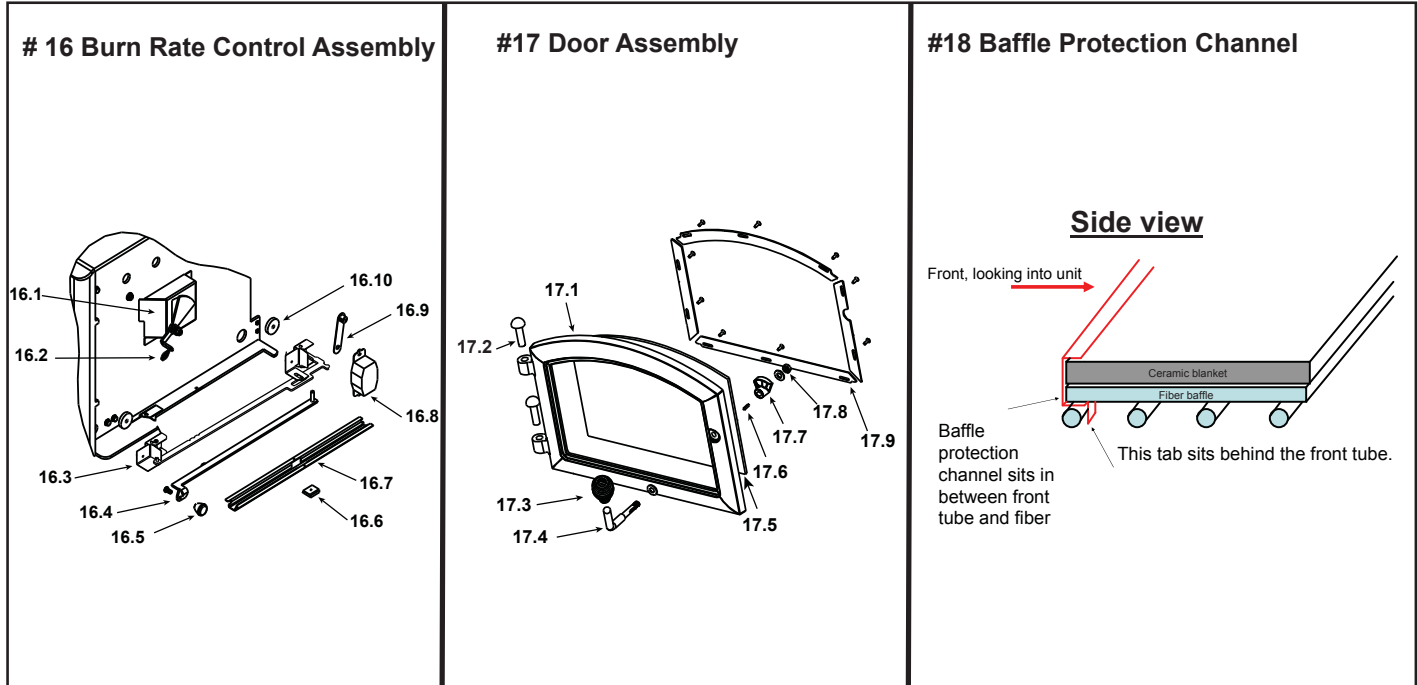
**#4 Brick Assembly**



4	Brick Assembly - Complete Set		SRV7039-007	
4.1	Brick, 9 x 4-1/2 x 1-1/4"	Qty. 9 Req.		
4.2	Brick, 5 3/4 x 4-1/2 x 1-1/4"	Qty. 3 Req.		
4.3	Brick, 8 x 4-1/2 x 1-1/4"	Qty. 2 Req.		
4.4	Brick, see diagram	Qty. 1 Req.		
4.5	Brick, see diagram	Qty. 1 Req.		
	Brick, Uncut	Pkg of 1	832-0550	
		Pkg of 6	832-3040	
5	Tube Support Rack		SRV7039-108	
6	Brick Retainer		7033-149	
7	Ceramic Fiber Blanket, 1/2" Thick		832-3390	Y
8	Baffle Board, 8-1/8 in. W x 13 in. H	Pkg of 2	SRV7039-111	Y
9	Pedestal Riser		7033-207	
10	Pedestal Base		7033-163	
11	Strip, Oak Trim	<b>No longer available</b>	832-0560	
12	Rear Channel Assembly		SRV7039-001	
13	Tube Channel Assembly - Manifold Tubes		SRV7039-004	Y
14	Panel Assembly, Side, Right		SRV7039-002	
15	Tube Channel Top - Access Cover		SRV7039-114	
	Component Pack		7039-011	

Additional service part numbers appear on following page.





IMPORTANT: THIS IS DATED INFORMATION. When requesting service or replacement parts for your appliance please provide model number and serial number. All parts listed in this manual may be ordered from an authorized dealer.



**Stocked at Depot**

ITEM	DESCRIPTION	COMMENTS	PART NUMBER	
16.1	Burn Rate Control Assembly	21M-ACC-AU	7039-016	
		21M-ACC-NZ	SRV7039-023	
16.2	Spring Handle, 1/4" Black		SRV7000-614	Y
16.3	Timer Air Control Assembly		SRV7039-021	Y
16.4	Rear Air Control Arm Assembly		SRV7039-006	
16.5	Start-Up Control Knob		SRV7000-343	
16.6	Latch, Magnet - for Air Control		229-0631	
16.7	Air Control Rod Guide		7033-210	
16.8	Timer (Only) Replacement Assembly		SRV480-1940	Y
16.9	Timer Arm Assembly		7033-034	Y
16.10	Door Gasket - Front Air Timer Door		7033-282	Y
17.1	Door Assembly	Black	SRV7039-008	
17.2	Hinge Pins, 1/2"	Black	7000-606/2	
17.3	Spring Handle, 1/2", Black		SRV7000-613	Y
17.4	Door Handle Only		SRV430-1131	
17.5	Glass Assembly - 14-1/8 in. W x 9-13/16 in. H		SRV7000-013	Y
17.6	Key, Cam Latch		SRV430-1151	
17.7	Cam Latch		SRV430-1141	
17.8	Nut, Locking Door Handle	Pkg of 24	226-0100/24	Y
17.9	Frame, Glass, Top		GL-FRM-21M	
18	Baffle Protection Channel		SRV7039-144	Y

Additional service part numbers appear on following page.

**QUADRA-FIRE®** Service Parts**21M-ACC-AU, 21M-ACC-NZ**

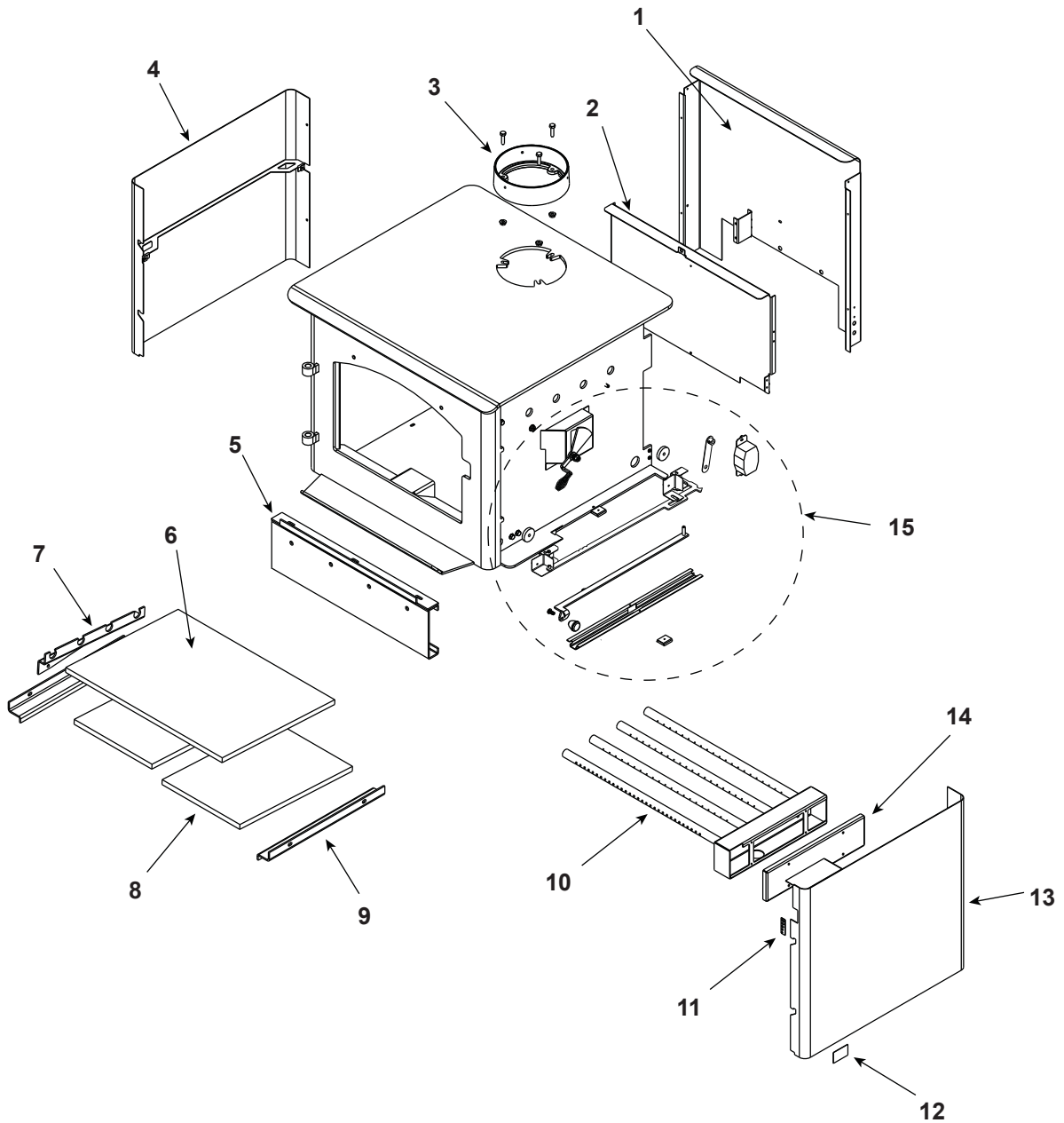
Beginning Manufacturing Date: July 2007

Ending Manufacturing Date: Active

IMPORTANT: THIS IS DATED INFORMATION. When requesting service or replacement parts for your appliance please provide model number and serial number. All parts listed in this manual may be ordered from an authorized dealer.


**Stocked  
at Depot**

ITEM	DESCRIPTION	COMMENTS	PART NUMBER	
	Gasket, Glass Tape	5 FT	832-0460	Y
	Rope, Door, 3/4" X 84"	7 Ft	832-1680	Y
	Paint Touch-Up		812-0910	
	Plug, Trimount, .250"	Pkg of 24	229-0880/24	Y
	Door Handle Assembly		832-0540	Y
	Logo, Quadra-Fire	<b>No longer available</b>	200-3240	
	Outside Air Cover Plate Assembly		SRV7033-041	Y
	Label, Burn Rate Air Control		SRV7033-160	
	Label, Start-Up Air Control		SRV7033-166	



Part number list on following page.

Beginning Manufacturing Date: July 2009  
Ending Manufacturing Date: Active

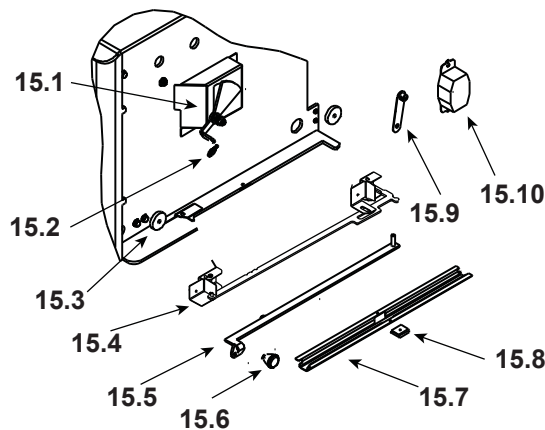
IMPORTANT: THIS IS DATED INFORMATION. Parts must be ordered from a dealer or distributor. **Hearth and Home Technologies does not sell directly to consumers.** Provide model number and serial number when requesting service parts from your dealer or distributor.



**Stocked at Depot**

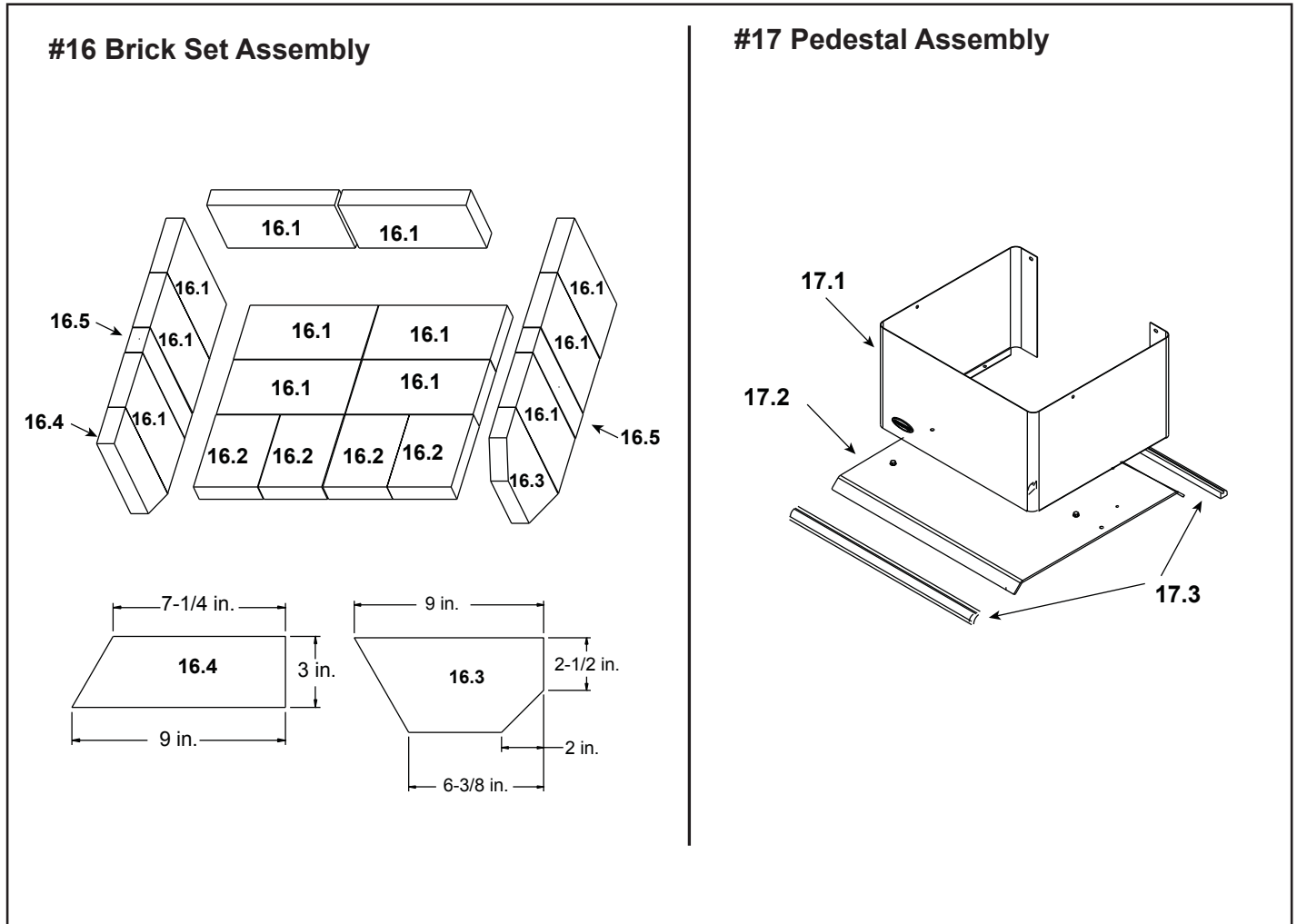
ITEM	DESCRIPTION	COMMENTS	PART NUMBER	
1	Air Channel, Convection w/Bracket - <b>Retain original serial # label</b>		SRV7033-144	
2	Air Supply Back		SRV7033-134	
3	Flue Collar		SRV7000-302	Y
4	Panel Assembly, Side, Left		7037-007	
5	Rear Air Channel Assembly		7033-002	Y
6	Ceramic Fiber Blanket, 1/2 " Thick	15 1/2" x 19 1/2"	832-3390	Y
7	Tube Support Rack		7033-148	
8	Baffle Fiber Board - 9-1/2" W x 15-3/4" H	Qty: 2	SRV7037-112	Y
9	Brick Retainer		7033-149	
10	Tube, Channel Assembly	Manifold Tubes	SRV7033-023	Y
11	Label, Burn Rate Air Control		SRV7033-160	
12	Label, Start-Up Air Control, Acc		SRV7033-166	
13	Panel Assembly, Right Side		7037-006	
14	Tube Channel Access Cover (Top)		SRV7033-237	

**#15 Burn Rate Control & Associated Parts**



15.1	Burn Rate Control Assembly		7037-004	Y
15.2	Spring Handle, 1/4", Black		SRV7000-614	Y
15.3	Door Gasket - Front Air Timer Door		7033-282	Y
15.4	Timer Air Control Assembly		SRV7037-021	Y
15.5	Rear Air Control Arm Assembly		7037-005	Y
15.6	Knob - Start-Up Control Knob		SRV7000-343	
15.7	Air Control Rod Guide		7033-210	
15.8	Latch, Magnet - For Air Control		229-0631	
15.9	Timer Arm Assembly		7033-034	Y
15.10	Timer (Only) Replacement Assembly		SRV480-1940	Y

Additional service part numbers appear on following page.



IMPORTANT: THIS IS DATED INFORMATION. Parts must be ordered from a dealer or distributor. **Hearth and Home Technologies does not sell directly to consumers.** Provide model number and serial number when requesting service parts from your dealer or distributor.

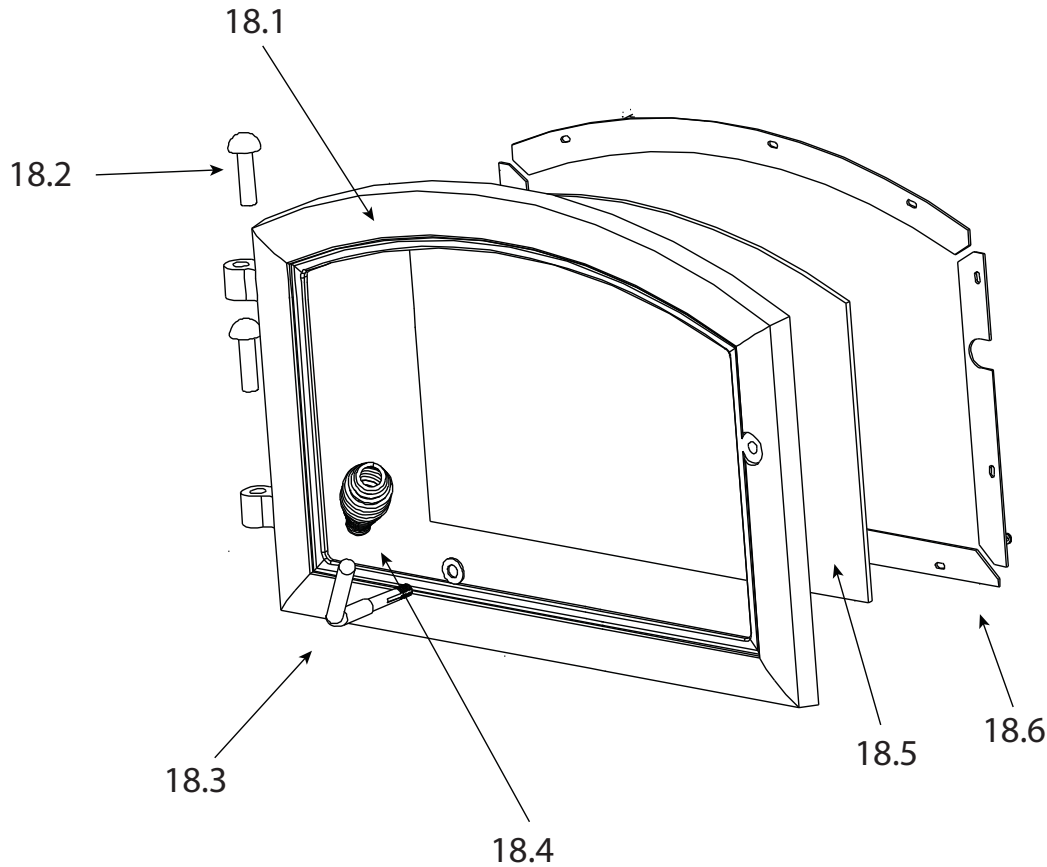


**Stocked at Depot**

ITEM	DESCRIPTION	COMMENTS	PART NUMBER	
16	Brick Assembly, Complete Set	Pkg of 20	SRV7037-003	
16.1	Brick, 9 x 4.5 x 1.25"	Qty. 12 Reg.		
16.2	Brick, 6 x 4.5"	Qty. 4 Reg.		
16.3	Brick, 9 x 4.5" with angle	Qty. 1 Reg.		
16.4	Brick, 9 x 3" with angle	Qty. 1 Reg.		
16.5	Brick, small	Qty. 2 Reg.		
	Brick, Uncut	Pkg of 1	832-0550	
		Pkg of 6	832-3040	
<b>#17 Pedestal Assembly</b>				
17.1	Pedestal Riser		7033-207	
17.2	Pedestal Base		7033-163	
17.3	Strip, Oak Trim	<b>No longer available</b>	832-0560	

Additional service part numbers appear on following page.

#18 Door Assembly



IMPORTANT: THIS IS DATED INFORMATION. Parts must be ordered from a dealer or distributor. **Hearth and Home Technologies does not sell directly to consumers.** Provide model number and serial number when requesting service parts from your dealer or distributor.



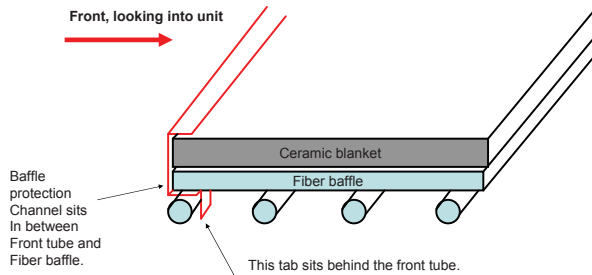
**Stocked at Depot**

ITEM	DESCRIPTION	COMMENTS	PART NUMBER	
18.1	Door Assembly	Black	DR-31/43BK-FH	
18.2	Hinge Pins, 1/2", Black		7000-606/2	
18.3	Door Handle Assembly		832-0540	
	Cam Latch		SRV430-1141	
	Key, Cam Latch		SRV430-1151	
	Nut, Locking Door Handle	Pkg of 24	226-0100/24	Y
	Door Handle, Formed		SRV430-1131	
18.4	Spring Handle, Door 1/2"	Black	SRV7000-613	Y
18.5	Door Glass Assembly - 15-1/2" W x 13-3/8" H		7000-012	Y
18.6	Glass Frame Set	Qty: 4 Pc	832-0350	
	Gasket, Glass Tape - Field cut to Size	Qty. 5 Ft. Req.	832-0460	Y
	Rope, Door, 3/4" x 84" - Field cut to Size	Qty. 7 Ft. Req.	832-1680	Y

Additional service part numbers appear on following page.

**#19 Baffle Protection Channel**

**Side view**



IMPORTANT: THIS IS DATED INFORMATION. Parts must be ordered from a dealer or distributor. **Hearth and Home Technologies does not sell directly to consumers.** Provide model number and serial number when requesting service parts from your dealer or distributor.



**Stocked at Depot**

ITEM	DESCRIPTION	COMMENTS	PART NUMBER	
19	Baffle Protection Channel		SRV7033-298	
	Component Pack (Includes Spring Handles (1) 1/2 Inch & (2) 1/4 Inch, Trimount Plug, Owners Manual)		SRV7037-019	
	Gasket, Manifold	Pkg of 4	7038-168/4	Y
	Logo, Quadra-Fire	Nickel	200-3240	
	Outside Air Kit, Floor & Rear		OAK-ACC	
	Outside Air Collar Assembly		7033-039	
	Outside Air Shield		33271	Y



**CONTACT INFORMATION**

Hearth & Home Technologies  
352 Mountain House Road  
Halifax, PA 17032  
Division of HNI INDUSTRIES

**Please contact your Quadra-Fire dealer with any questions or concerns.  
For the number of your nearest Quadra-Fire dealer  
log onto [www.quadrafire.com](http://www.quadrafire.com)**

**CAUTION**



**DO NOT DISCARD THIS MANUAL**

Important operating and maintenance instructions included.

• Read, understand and follow these instructions for safe installation and operation.

• Leave this manual with party responsible for use and operation.



**We recommend that you record the following pertinent information for your heating appliance.**

Date purchased/installed: \_\_\_\_\_

Serial Number: \_\_\_\_\_ Location on appliance: \_\_\_\_\_

Dealership purchased from: \_\_\_\_\_ Dealer phone: 1( ) -

Notes: \_\_\_\_\_

\_\_\_\_\_

\_\_\_\_\_

\_\_\_\_\_

This product may be covered by one or more of the following patents: (United States) 5341794, 5263471, 6688302, 7216645, 7047962 or other U.S. and foreign patents pending.

