

BLAZING OAK LOGS

BOCL18, BOCL24 and BOCL30 Installation Instructions

This log set is for use only with the 18TPB, 24TPB and 30TPB engine/grate.

Do not handle these logs with your bare hands. Always wear gloves to prevent skin irritation from ceramic fibers. After handling the logs, wash your hands gently with soap and water to remove any traces of fibers.

WARNING

The positioning of the logs is critical to the safe and clean operation of this heater. Sooting and other problems may result if the logs are not properly and firmly positioned in the appliance. Never add additional logs or embellishments such as pine cones, vermiculite or rock wool to the heater. Only use the logs and TPB-RW (rock wool) supplied with the unit.

Failure to position the parts in accordance with diagrams below or to use only parts specifically approved for this heater may result in property damage or personal injury.

INSTALLING BLAZING OAK LOGS ON BURNER

1. Place right base log (#1) on two pins located on the right side of the grate. See Figure 1.

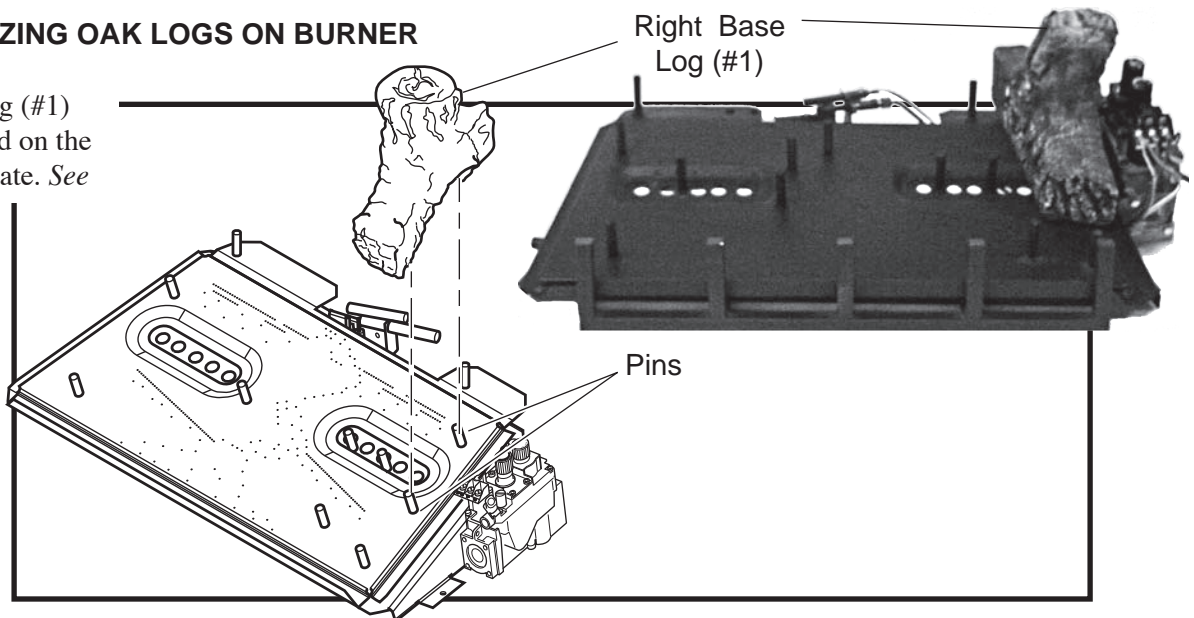


Figure 1 - Installing Right Base Log (#1)

2. Place rear log (#2) on two pins on back of grate allowing the right end of the rear log to rest on top of the right top log.

See Figure 2.

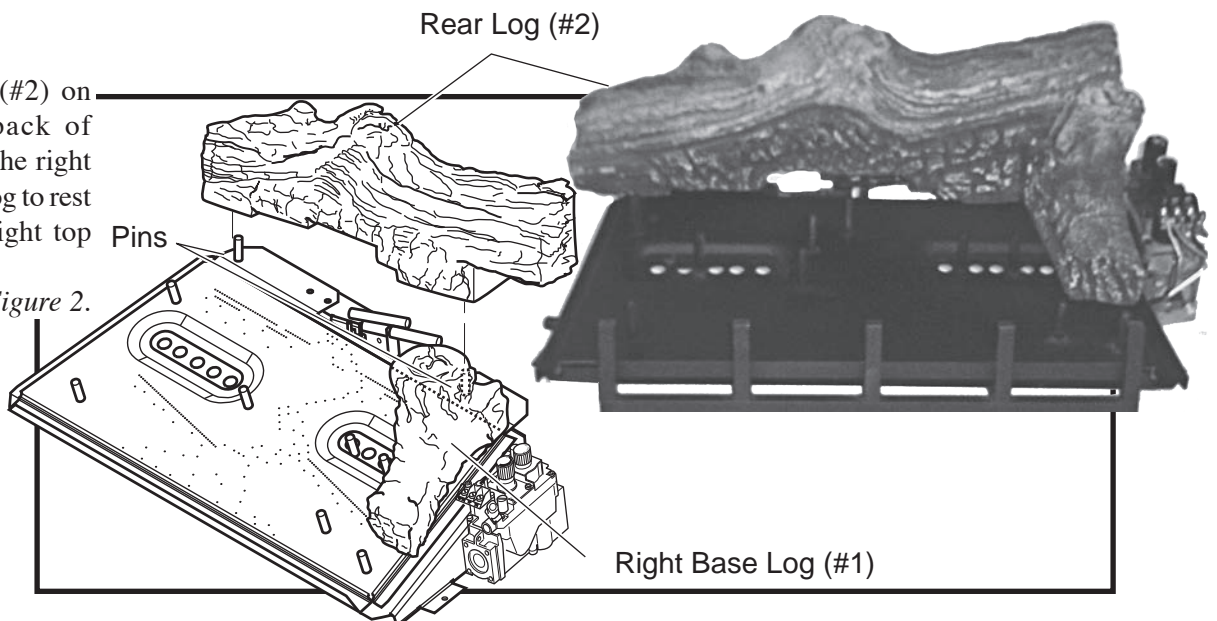
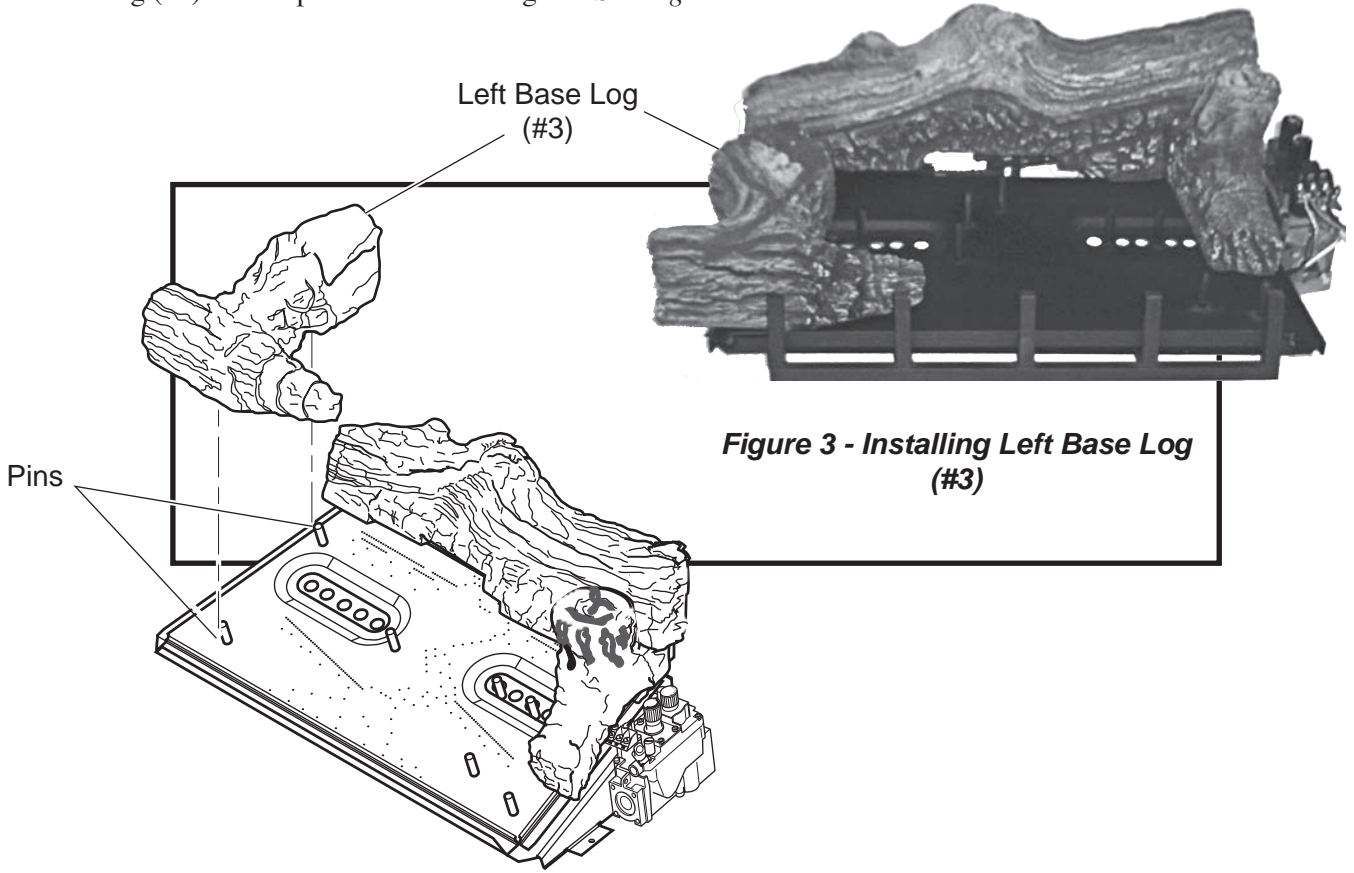


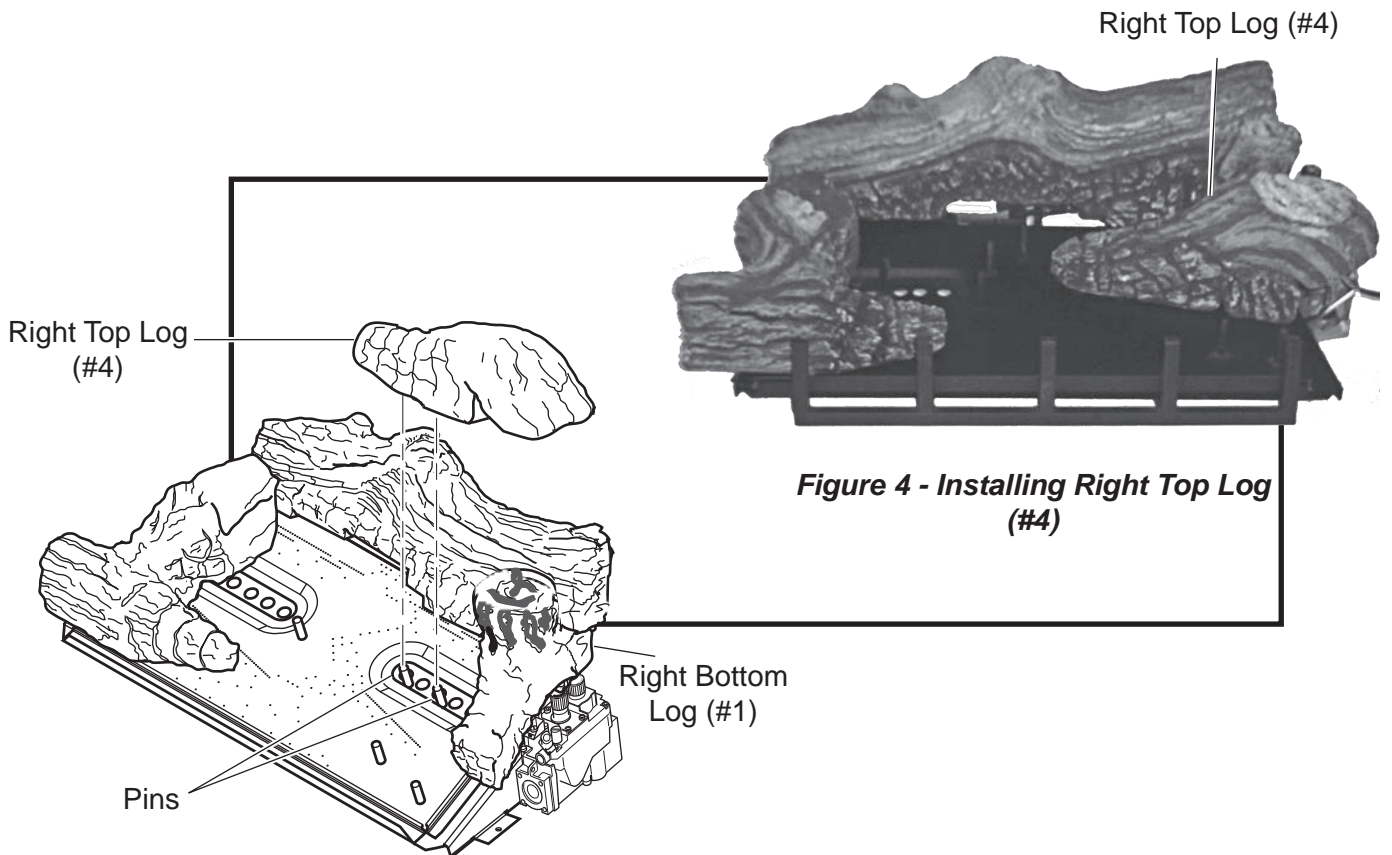
Figure 2 - Installing Rear Log (#2)

Continued

3. Place left base log (#3) on two pins on left side of grate. See Figure 3.



4. Place right top log (#4) on two pins located to the left of right base log. See Figure 4.



5. Place right end of left top log (#5) on bottom center grate pin. Rest the left end of left top log (#5) on the left base log. See Figure 5.

NOTE: 18" burner has two pins to install Left Top Log (#5)

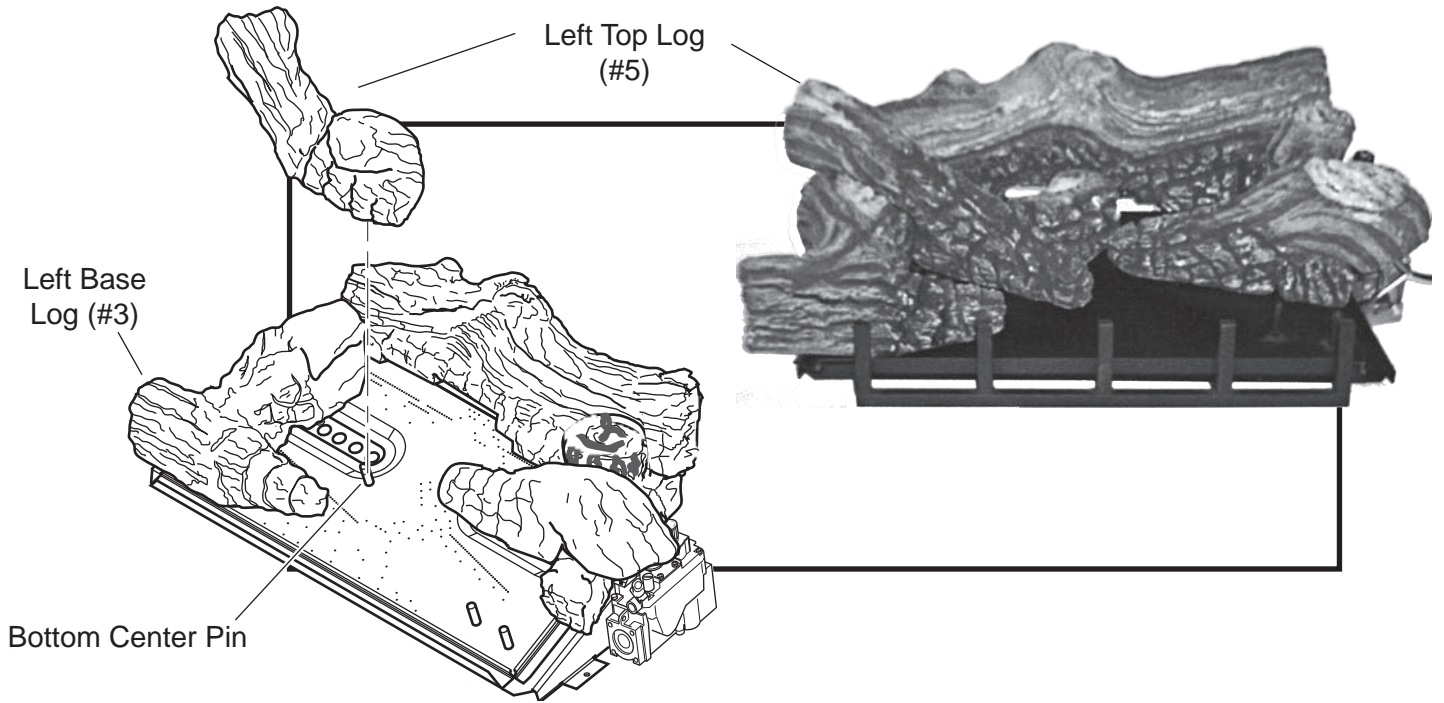


Figure 5 - Installing Left Top Log (#5)

6. Place right front log (#6) on two pins on the right front of grate. See Figure 6.

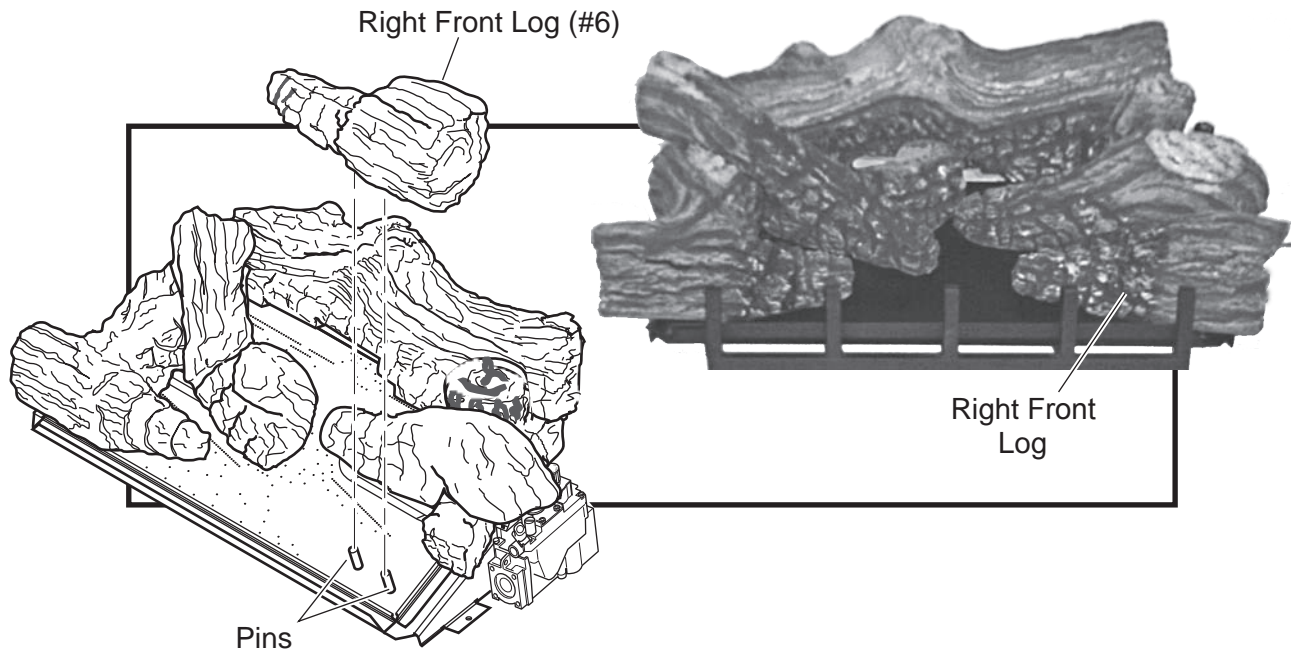
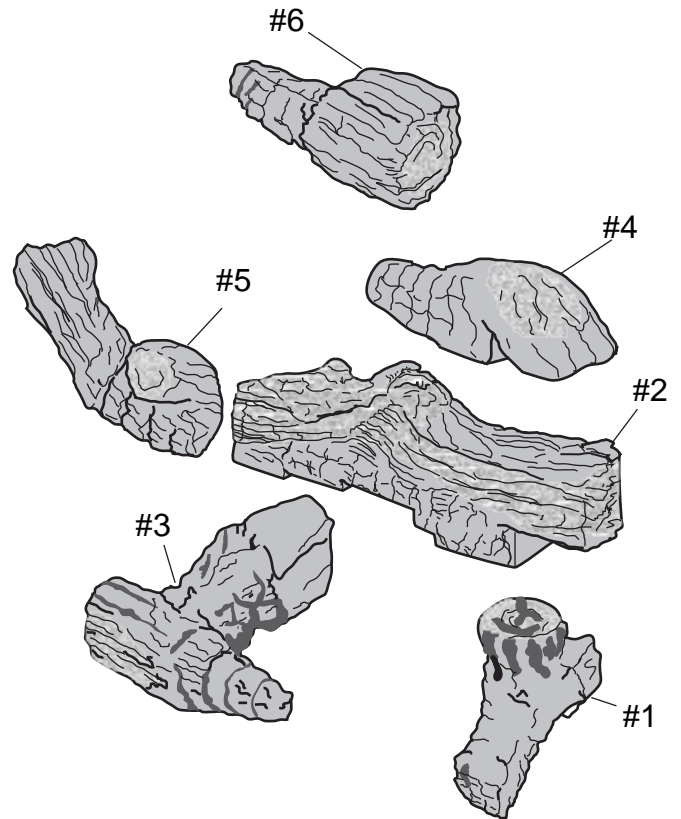


Figure 6 - Installing Right Front Log (#6)

Continued

BLAZING OAK LOGS PARTS LIST

Item	Description	Qty	BOCL18	BOCL24	BOCL30
1	Right Base Log	1	70D0131	70D0041	70D0231
2	Rear Log	1	70D0132	70D0042	70D0232
3	Left Base Log	1	70D0133	70D0043	70D0233
4	Right Top Log	1	70D0134	70D0044	70D0234
5	Left Top Log	1	70D0140	70D0066	70D0239
6	Right Front Log	1	70D0137	70D0047	70D0237



WARNING

Failure to position the parts in accordance with these diagrams or failure to use only parts specifically approved with this appliance may result in property damage or personal injury.